



# Landscape Lighting

## Specification Guide

**PHILIPS**  
**HADCO**  
sense and simplicity



## Experience The New Speed of Light.

Since 1953, we've built our products to a superior standard of quality and craftsmanship, using only the finest raw materials and components available. We've also built our business to a superior standard of consistency and reliability.

We inspect every piece we manufacture, multiple times, for fit and finish. Each of our designs is precision engineered, backed by ISO 9001 Certification. And our comprehensive warranties exceed industry standards.

But that doesn't entirely explain how we became the industry leader. There's another important area where we excel.

### **Service.**

Smart. Prompt. And flexible.

At Philips Hadco, it has to be – because we provide the broadest selection of styles, finishes, and lamping options in the industry. Our superior service helps you navigate the choices and ensures that you're getting just what you need. When you need it. Even if we have to custom design it.

When you light with Philips Hadco, you can rest assured it'll be done right. On time.

That's why more and more architects and designers depend on Philips Hadco. Because they know what they'll get. Satisfaction.

# Contents

Quick Reference Guide.....	1
Product selection guide.....	13
Finishes & Materials.....	15

## LED LIGHTING

LED Technology.....	17
---------------------	----

## LOW VOLTAGE SYSTEMS

Accent	
Bullytes .....	29
Floodlytes.....	37
Wall Washers.....	38
Downlytes .....	40
Inground	
Ingrounds .....	45
Inground Installation.....	49
Step & Deck	
Decklytes .....	53
Steplytes.....	61
Steplyte Installation.....	69
Walkway	
Pathlytes .....	73
Bollards.....	100
Beacons .....	102
Underwater	
Underwater.....	105
Underwater Accessories & Application.....	107
Accessories.....	111
Photometric Data.....	115

## LINE VOLTAGE SYSTEMS

Accent	
Bullytes .....	119
Remote Ballasts.....	129
Floodlytes	
Floodlytes.....	133
Floodlytes Accessories.....	145
Inground	
Ingrounds .....	149
Inground Installation.....	159
Steplytes	
Steplytes.....	163
Steplyte Installation.....	179
Walkway	
Pathlytes .....	183
Bollards.....	193
Beacons .....	205
Underwater	
Underwater.....	215
Underwater Accessories.....	216
Underwater Applications .....	217
Accessories.....	221
Photometric Data.....	223
Photo Credits .....	224
Index.....	225



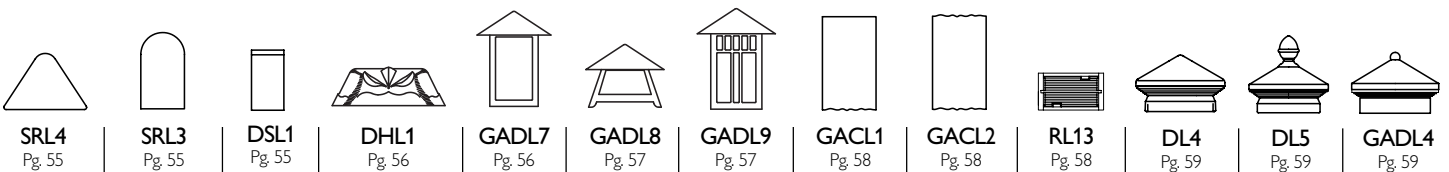
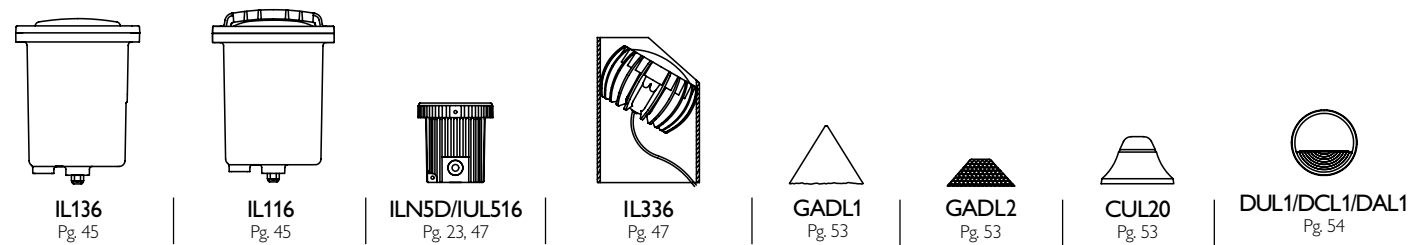
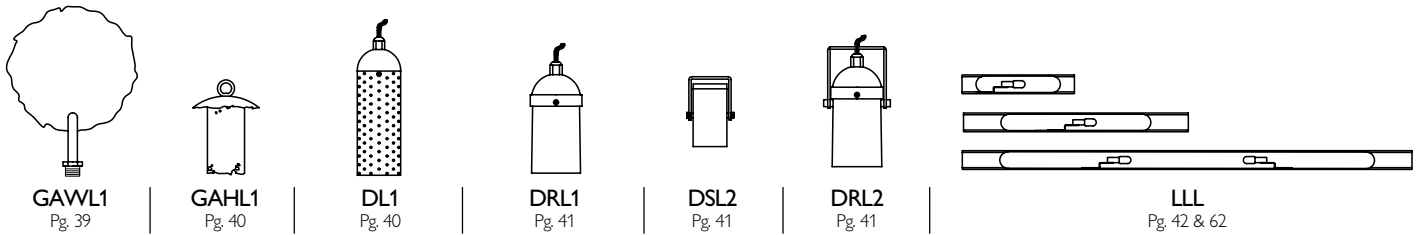
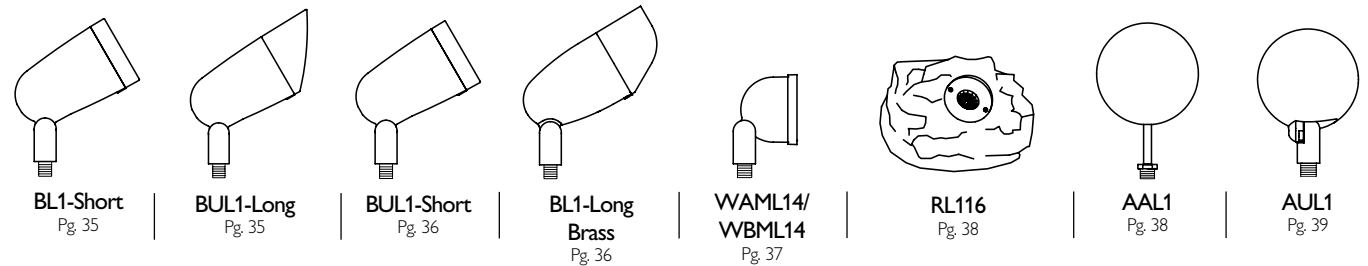
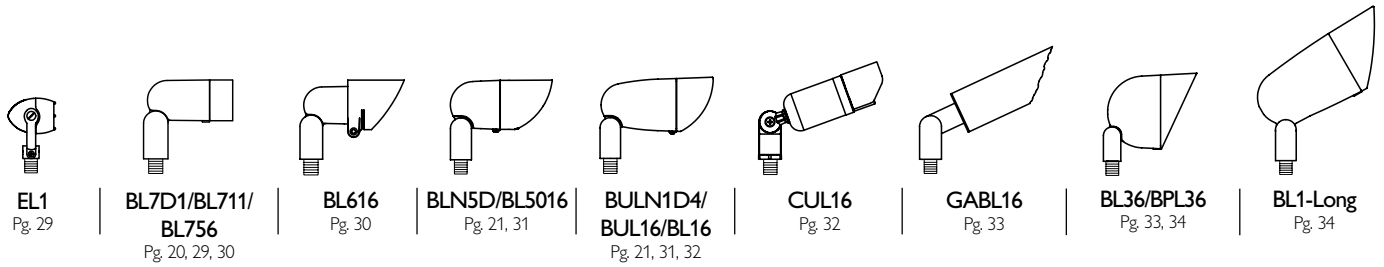


# Low Voltage Quick Reference

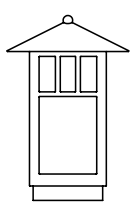
Philips Hadco's Low Voltage Lighting System offers the greatest versatility with up to 1,000 fixture combinations for every landscape lighting application. High performance LED and halogen lamps, available in many styles, produce greater lumen output and last longer than conventional incandescent lamping. Philips Hadco Low Voltage transformers include a multiple-tap voltage setting that allows for easy adjustment of load and distance variations. Fixture housings are constructed of the most durable materials that include die-cast aluminum, composite, stainless steel, copper, cast bronze and die-cast brass. All painted finishes are applied through a special five-stage powdercoat process to retain their beautiful appearance for many years.



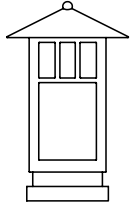
# Low Voltage Quick Reference



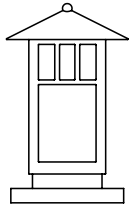
# Low Voltage Quick Reference



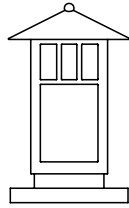
**GADL51**  
Pg. 60



**GADL52**  
Pg. 60



**GADL61**  
Pg. 60



**GADL62**  
Pg. 60



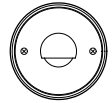
**RLL2**  
Pg. 61



**RLL1**  
Pg. 61



**RFL1**  
Pg. 61



**RRCBL1**  
Pg. 62



**RRBL1**  
Pg. 63



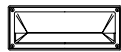
**RRCL1**  
Pg. 63



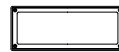
**RRFL1**  
Pg. 63



**CB100**  
Pg. 65



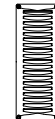
**RSBL2**  
Pg. 65



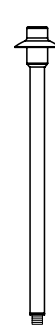
**RSFL2**  
Pg. 65



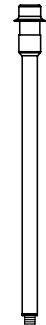
**RSCL2**  
Pg. 67



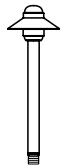
**RSVL2**  
Pg. 67



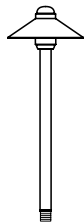
**CUL2**  
Pg. 73



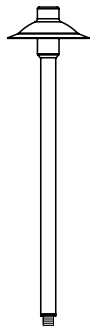
**CUL3**  
Pg. 73



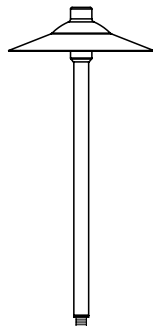
**CUL4**  
Pg. 73



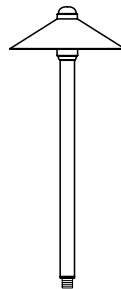
**CUL6**  
Pg. 74



**CUL7**  
Pg. 74



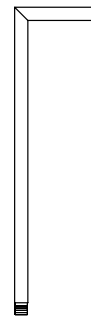
**CUL9**  
Pg. 74



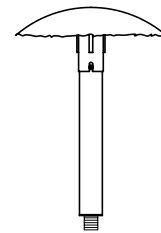
**CUL10**  
Pg. 75



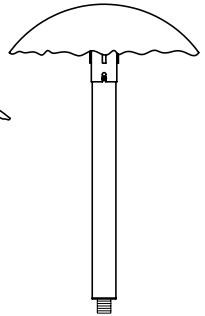
**GAL3**  
Pg. 75



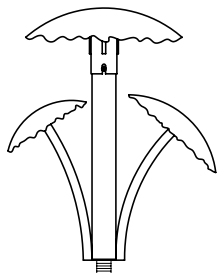
**GAL3-SS**  
Pg. 75



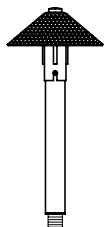
**GAML1**  
Pg. 76



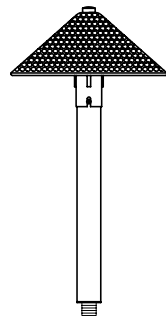
**GAML2**  
Pg. 76



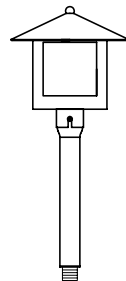
**GAML3**  
Pg. 76



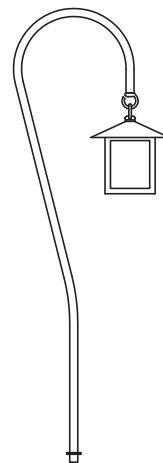
**GAML4**  
Pg. 77



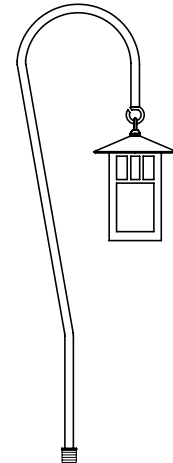
**GAML5**  
Pg. 77



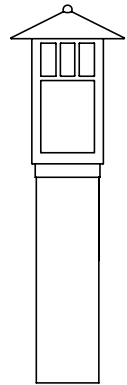
**GASL1**  
Pg. 77



**GASL7**  
Pg. 78

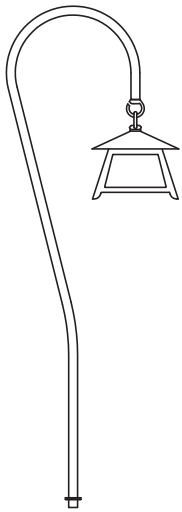


**GASL4**  
Pg. 78

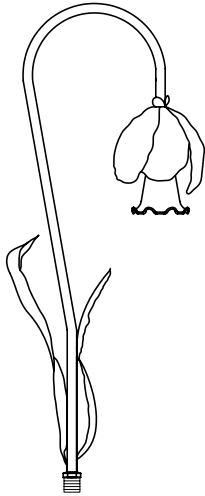


**GASL5**  
Pg. 78

# Low Voltage Quick Reference



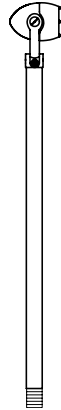
**GASL6**  
Pg. 79



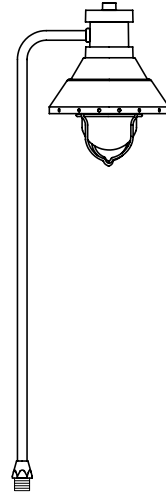
**GAGL1**  
Pg. 79



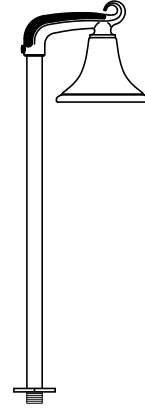
**GATL1**  
Pg. 79



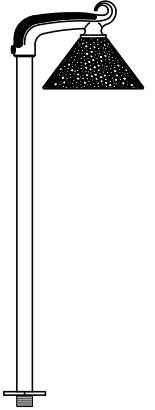
**EL2**  
Pg. 80



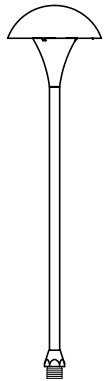
**SPL5**  
Pg. 80



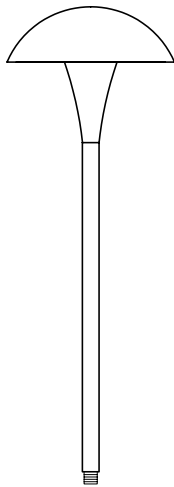
**SML2**  
Pg. 80



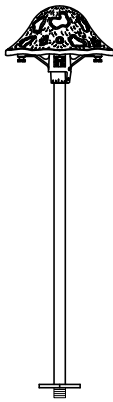
**SML3**  
Pg. 80



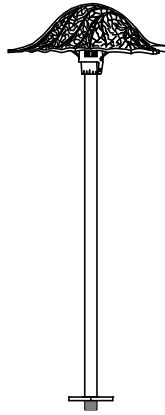
**ML4D/MUL4**  
Pg. 24, 81



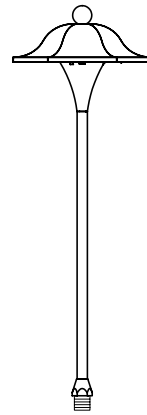
**MUL5**  
Pg. 82



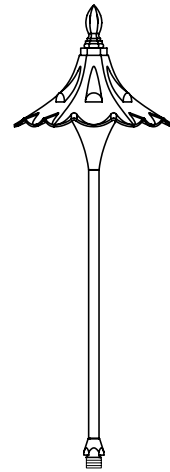
**MML2**  
Pg. 82



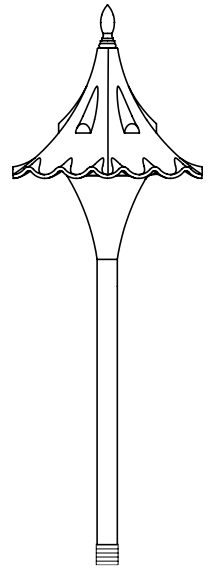
**MLL2**  
Pg. 83



**AL4D/AL4/AL41**  
Pg. 25, 83



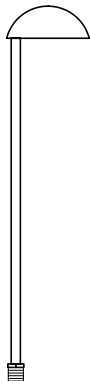
**TRL4D/TRL4**  
Pg. 25, 84



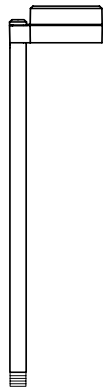
**TRL5**  
Pg. 84



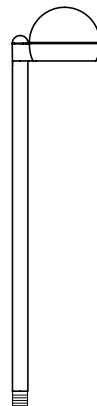
**MSL12**  
Pg. 84



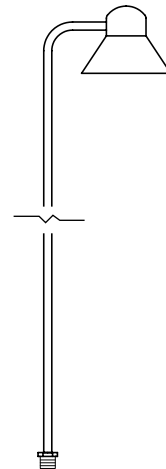
**MSL18**  
Pg. 85



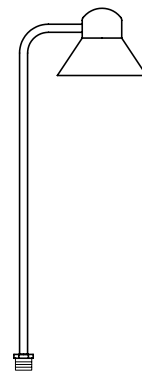
**CPL12**  
Pg. 85



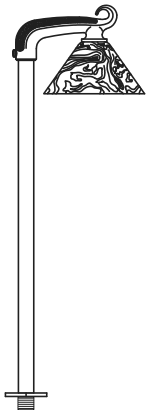
**CL2D2/CPL21**  
Pg. 24, 85



**SPL1**  
Pg. 86

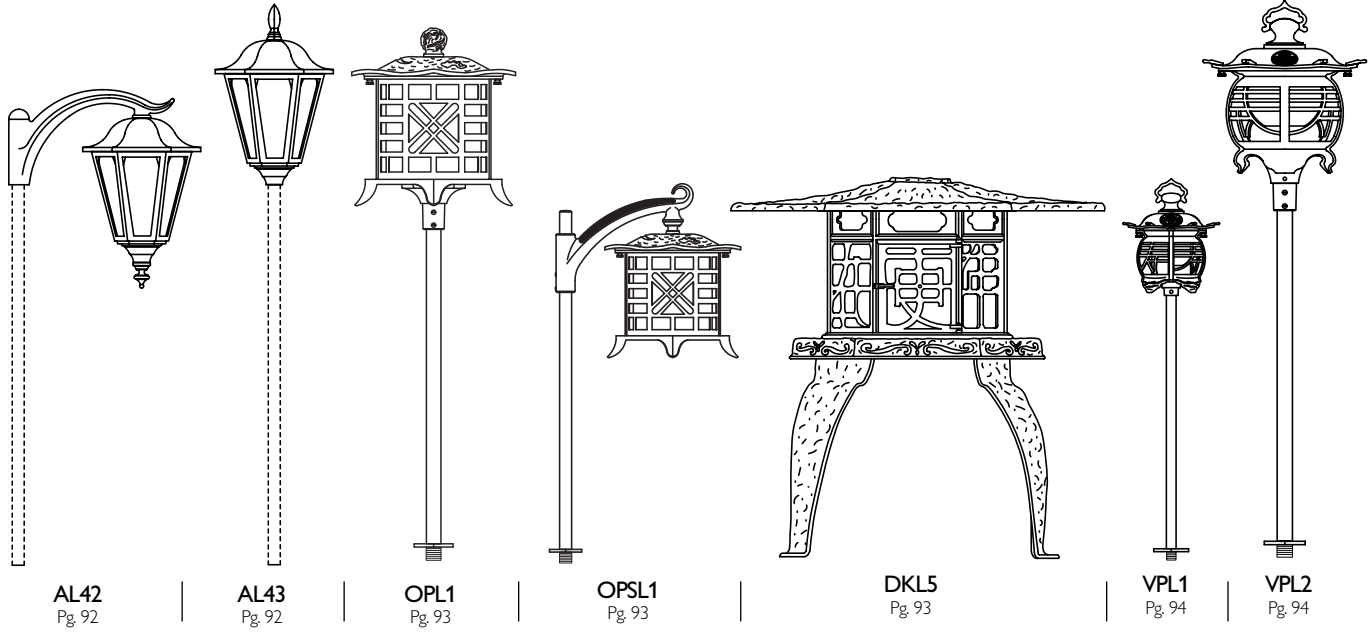
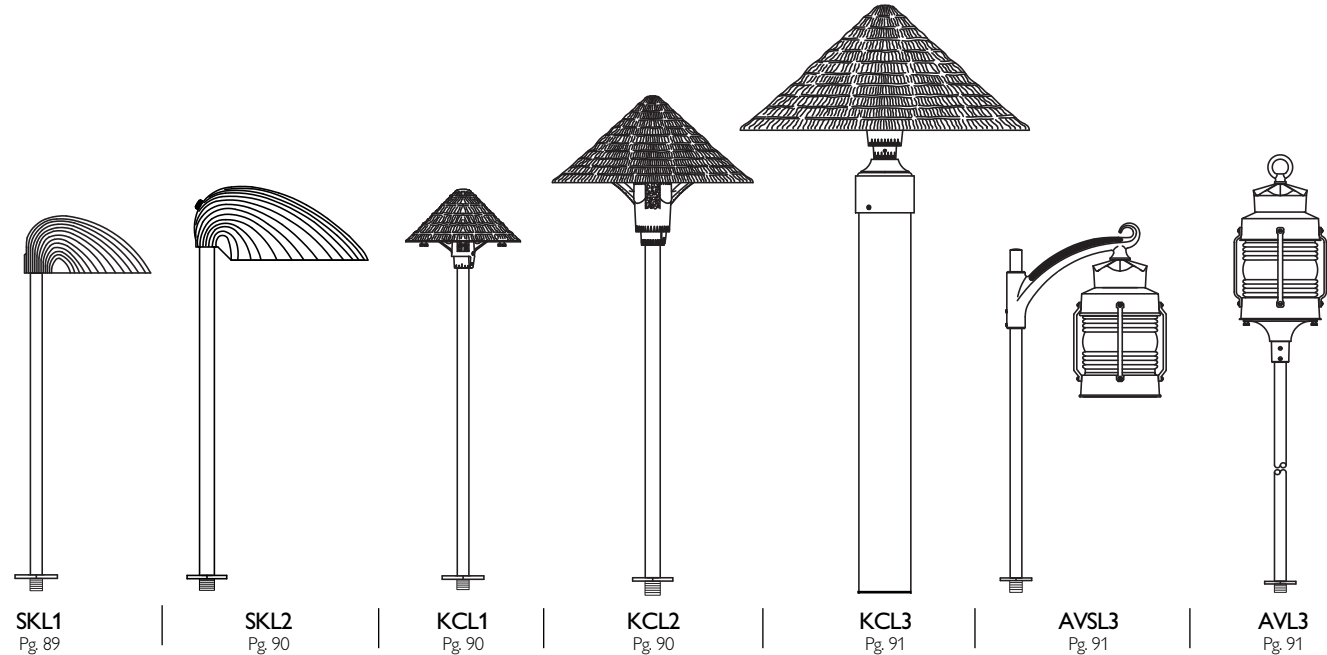
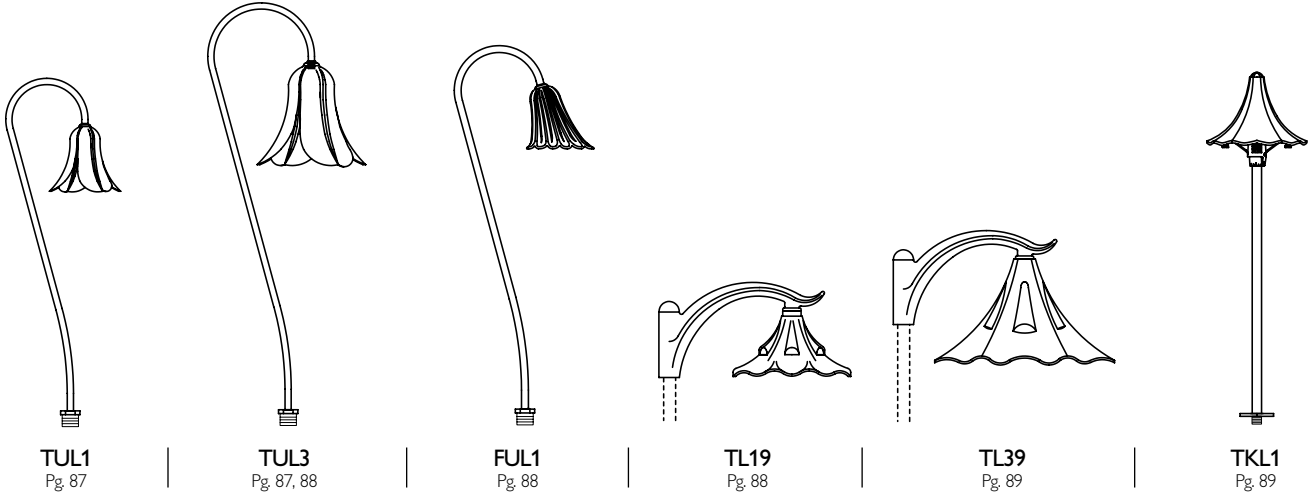


**SPL18**  
Pg. 86

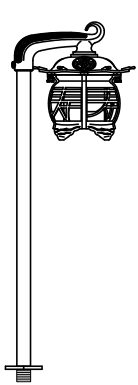


**SML4/SML5**  
Pg. 86, 87

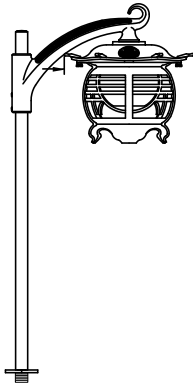
# Low Voltage Quick Reference



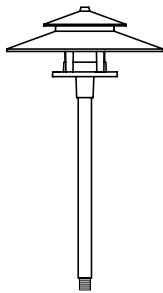
# Low Voltage Quick Reference



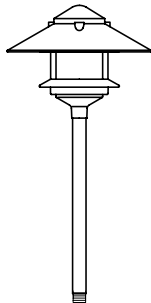
**VPSL1**  
Pg. 95



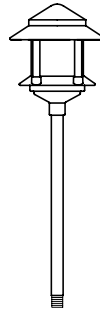
**VPSL2**  
Pg. 95



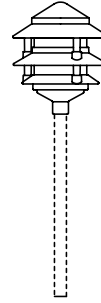
**RL4D/RL4**  
Pg. 24, 96



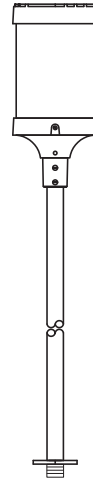
**RL3**  
Pg. 96



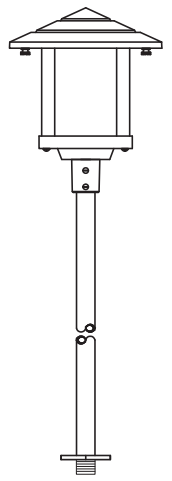
**PL3**  
Pg. 97



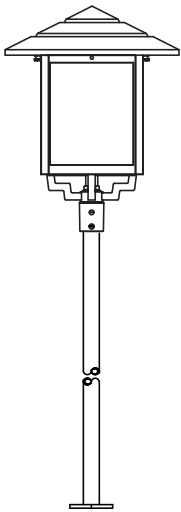
**PL39**  
Pg. 97



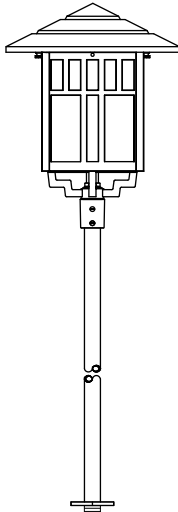
**HBCL1**  
Pg. 98



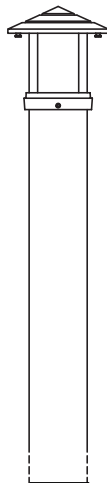
**IWPL3**  
Pg. 98



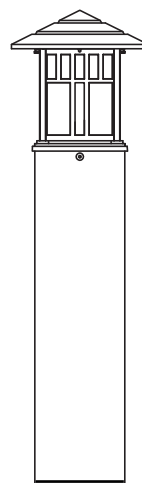
**IWPL4**  
Pg. 98



**IWVCL4**  
Pg. 99



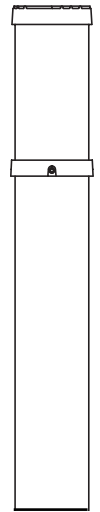
**IWVBL3/IWBL3**  
Pg. 99



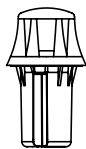
**IWVCL4**  
Pg. 100



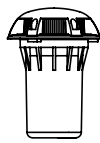
**SBBL1/SBL1**  
Pg. 100



**HBBL1/HBL1**  
Pg. 101



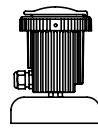
**DWL1/DWCL1**  
Pg. 102



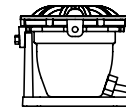
**DWCL2**  
Pg. 102



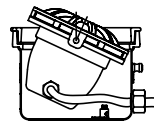
**UWL1**  
Pg. 105



**UL5WD/UWUL516**  
Pg. 23, 105



**UWL1075/UWL1100**  
Pg. 106



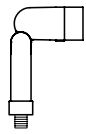
**UWL2075/UWL2100**  
Pg. 106

# Line Voltage Quick Reference

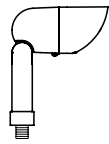
For projects requiring optimal performance, Philips Hadco's line voltage outdoor fixtures provide exceptional photometric quality and lamping flexibility. The line voltage system is designed to operate utilizing lamping options such as incandescent, fluorescent or HID for covering a wide range of applications. Line voltage systems are ideal for large-scale landscape or commercial projects, with fixtures made of durable composite, or die-cast aluminum, brass or stainless steel, ideal for public settings. And with a variety of photometric choices, plus optional accessories such as concrete pour kits, lenses, louvers, barn doors, mounting stanchions, and more, Philips Hadco fixtures easily conform to the architect's vision.



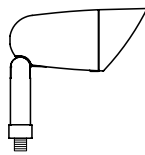
# Line Voltage Quick Reference



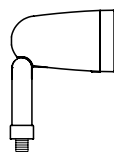
**BT711**  
Pg. 119



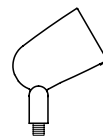
**BT5016**  
Pg. 119



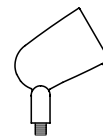
**BT1-Long**  
Pg. 120



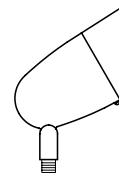
**BT1-Short**  
Pg. 120



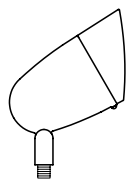
**B1**  
Pg. 121



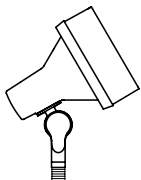
**BU1**  
Pg. 122



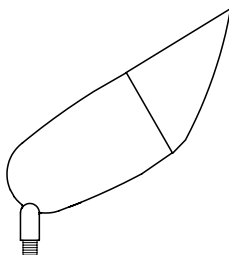
**B3**  
Pg. 122



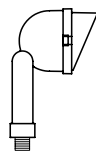
**BU3**  
Pg. 123



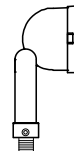
**1020**  
Pg. 123



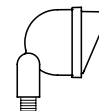
**B4/BU4**  
Pg. 20, 124-128



**WAMT14**  
Pg. 133



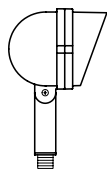
**WBMT14**  
Pg. 133



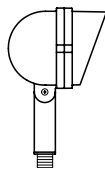
**WAM1**  
Pg. 134



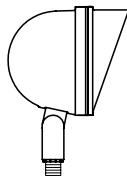
**WBM1**  
Pg. 134



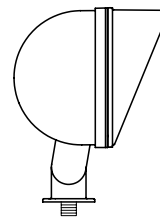
**WAF1/WAF13**  
Pg. 135



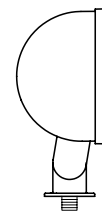
**WA1**  
Pg. 135



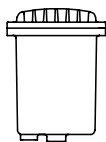
**WA2**  
Pg. 136, 137



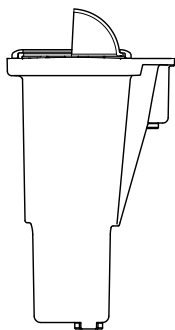
**WA3**  
Pg. 139, 141, 143



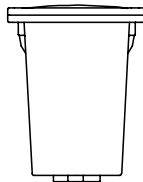
**WB3**  
Pg. 139, 141, 143



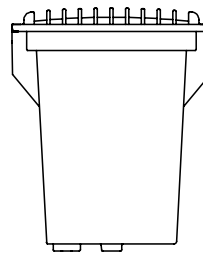
**I2**  
Pg. 149



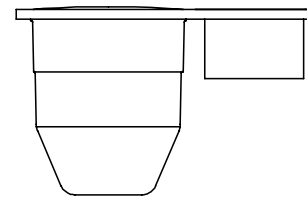
**I2.5**  
Pg. 23 & 151



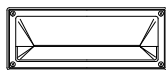
**I3**  
Pg. 153



**I4**  
Pg. 155



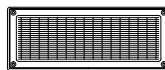
**I5**  
Pg. 157



**RSB2**  
Pg. 26 & 163



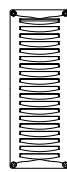
**RSF2**  
Pg. 26 & 163



**RSS2**  
Pg. 26 & 163



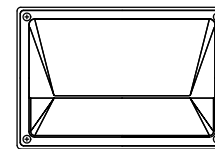
**RSC2**  
Pg. 26 & 165



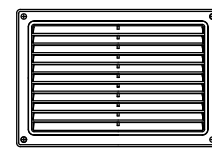
**RSV2**  
Pg. 26 & 165



**CB100**  
Pg. 167

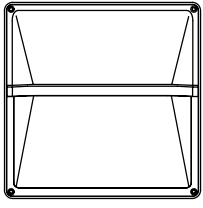


**RSB3**  
Pg. 169

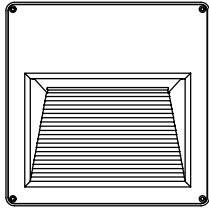


**RSC3**  
Pg. 169

# Line Voltage Quick Reference



**EWB4**  
Pg. 171



**EWR4**  
Pg. 173



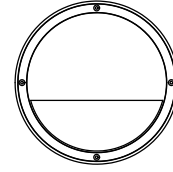
**RRB1**  
Pg. 175



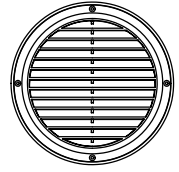
**RRC1**  
Pg. 175



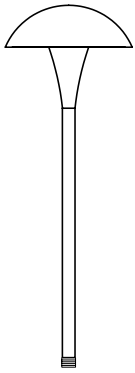
**RRF1**  
Pg. 175



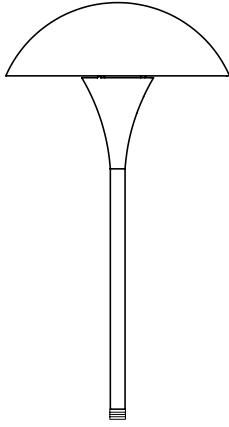
**RRB3**  
Pg. 177



**RRC3**  
Pg. 177



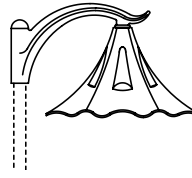
**MU5**  
Pg. 183



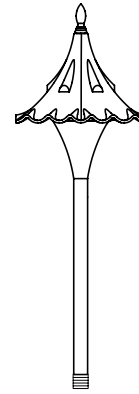
**MU3**  
Pg. 183



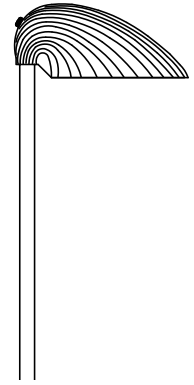
**TU3**  
Pg. 184



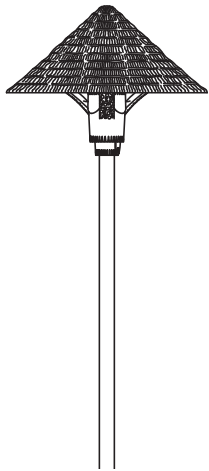
**T39**  
Pg. 184



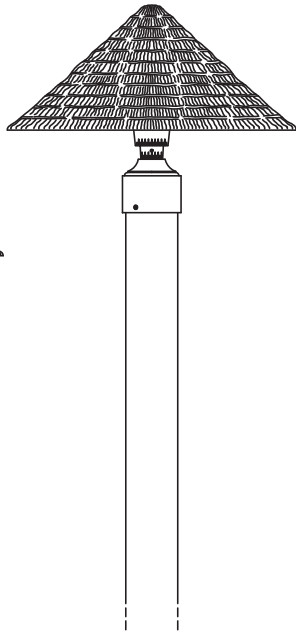
**TR5**  
Pg. 184



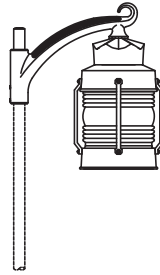
**SK2**  
Pg. 185



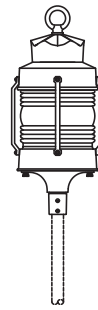
**KC2**  
Pg. 185



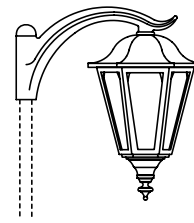
**KC3**  
Pg. 185



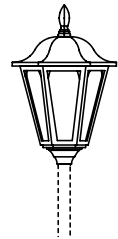
**AVS3**  
Pg. 186



**AV3**  
Pg. 186

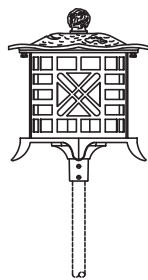


**A42**  
Pg. 186

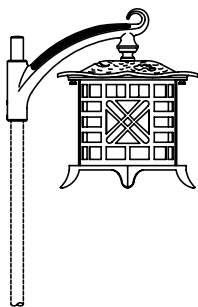


**A43**  
Pg. 187

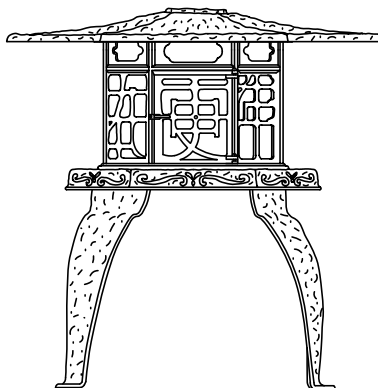
# Line Voltage Quick Reference



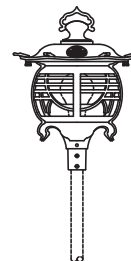
**OP1**  
Pg. 187



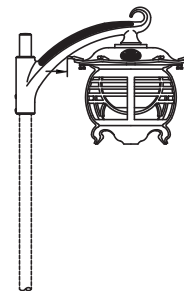
**OPS1**  
Pg. 187



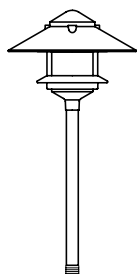
**DK5**  
Pg. 188



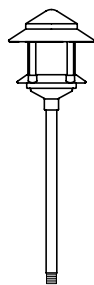
**VP2**  
Pg. 188



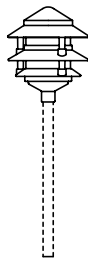
**VPS2**  
Pg. 188



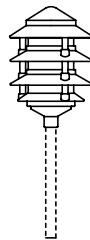
**R3**  
Pg. 189



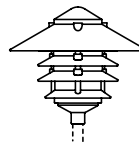
**P3**  
Pg. 189



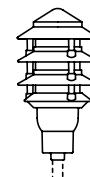
**P39**  
Pg. 189



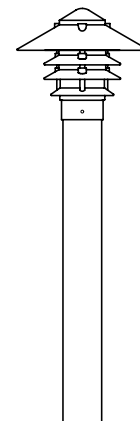
**Q39**  
Pg. 190



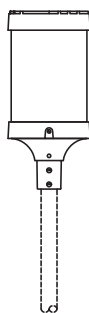
**R39**  
Pg. 190



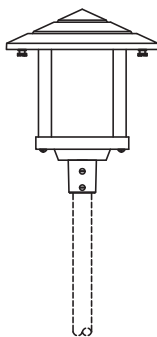
**QF59**  
Pg. 190



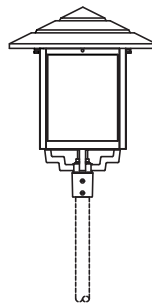
**R30**  
Pg. 191



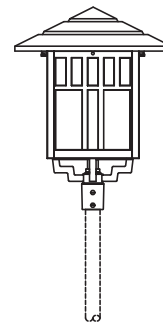
**HBC1**  
Pg. 191



**IWP3**  
Pg. 191



**IWP4**  
Pg. 192

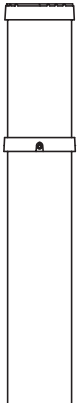


**IWPC4**  
Pg. 192

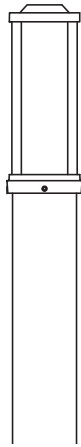


**IWBB3**  
Pg. 192

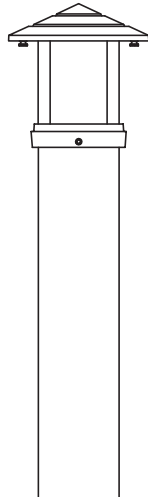
# Line Voltage Quick Reference



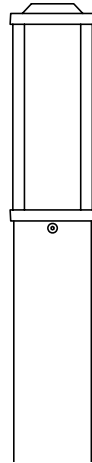
**HBB1**  
Pg. 193



**SBB1**  
Pg. 193



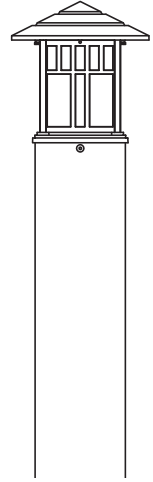
**IVB3**  
Pg. 194



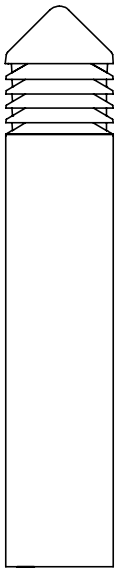
**SB1**  
Pg. 194



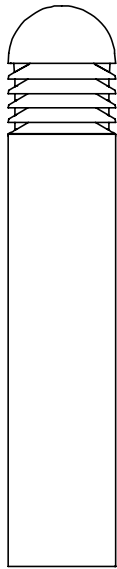
**HB1**  
Pg. 195



**IWBC4**  
Pg. 196



**CL81**  
Pg. 197



**CL82**  
Pg. 197



**CL83**  
Pg. 197



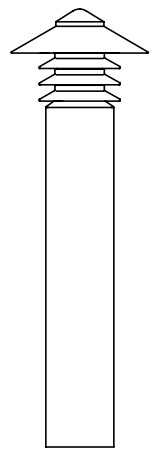
**DB14**  
Pg. 199



**DB21**  
Pg. 199

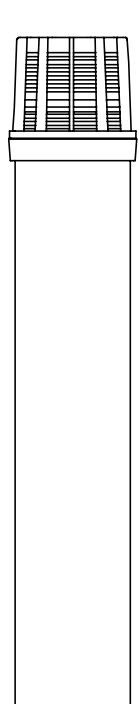


**DB30**  
Pg. 199

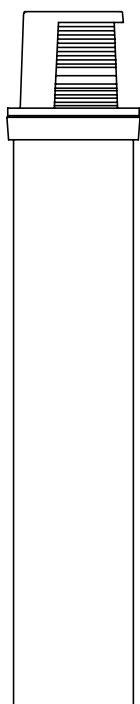


**RB30**  
Pg. 201

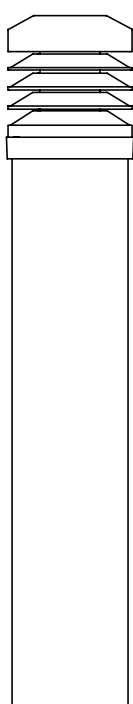
# Line Voltage Quick Reference



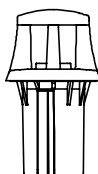
**RR70**  
Pg. 203



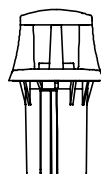
**RB71**  
Pg. 203



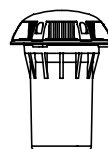
**RL72**  
Pg. 203



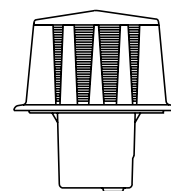
**DW1**  
Pg. 205



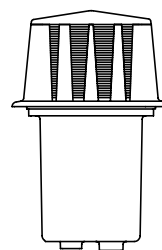
**DWC1**  
Pg. 205



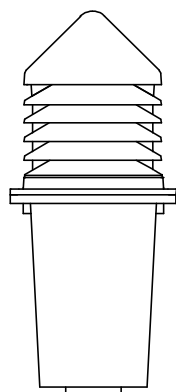
**DWC2**  
Pg. 206



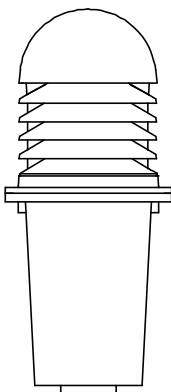
**1010/1019**  
Pg. 207



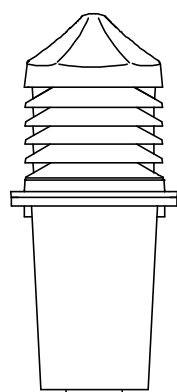
**1012**  
Pg. 207



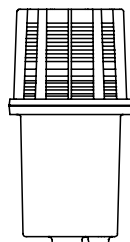
**CLB81**  
Pg. 209



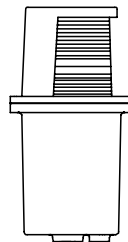
**CLB82**  
Pg. 209



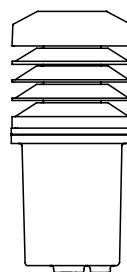
**CLB83**  
Pg. 209



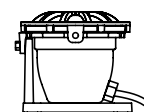
**RR701**  
Pg. 211



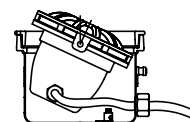
**RB711**  
Pg. 211



**RL721**  
Pg. 211



**UW1100N/UW1250N**  
Pg. 215



**UW2100N/UW2250N**  
Pg. 215

# The Tools

In your mind's eye, you've already captured the power and beauty of light. You can rely on Philips Hadco for the broad range of tools you'll need to project that vision.

## QUICK TIPS

- An ice blue lens enhances the colors of evergreen foliage and also "cools off" a halogen lamp like the MR16, giving it the appearance of moonlight.
- When installing low voltage spread lights in a bed of annual flowers, use the S6 adjustable stake so the fixture can be raised as the flowers grow.
- To help conceal the light source, use a cutoff louver such as the ML1 for the BL616 or the ICG16 for the IL116.
- To reduce glare, adjust the shroud on bullytes.
- To avoid poisoning trees, use only stainless steel or cadmium-plated steel fasteners when mounting fixtures.
- When attaching low voltage cable to a tree, use a wire tie with a grommet end. This allows the cable to flex slightly off the tree, preventing damage to both.



## SECURITY LIGHTING

Light on all walls of the home serves to minimize hiding places for unwelcome visitors.



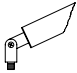











## UPLIGHTING

An ideal place to apply uplighting ... shining skyward toward an area of architectural interest.

## SILHOUETTING

Lighting the wall behind this tree accentuates its interesting shape and branch structure.



												
Low Voltage	Bullytes Page 29	Wall Washers Page 38	Mini Floodlytes Page 37	Downlytes Page 40	Ingrounds Page 45	Decklytes Page 53	Deck Post Page 59	Steplytes Page 61	Pathlytes Page 73	Bollards Page 99	Beacons Page 102	Underwater Page 105
Spot Lighting	✓				✓							
Silhouetting	✓	✓	✓									
Shadowing	✓	✓	✓									
Sign Lighting	✓		✓		✓							
Fountain Lighting												✓
Pond Lighting												✓
Grazing	✓				✓							
Downlighting	✓		✓	✓								
Moonlighting	✓		✓	✓								
Up Lighting	✓		✓		✓							
Walkway Lighting									✓	✓	✓	
Spread Lighting									✓	✓	✓	✓
Step Lighting						✓	✓	✓				
Deck Lighting				✓		✓	✓					
Security Lighting	✓		✓		✓	✓		✓	✓	✓	✓	

## SHADOWING

This technique allows the designer to paint walls with non-light, generating added dimensions by repeating forms in shadow.



## GRAZING

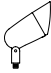









The textured beauty of stone masonry becomes a striking feature when grazed with light.



## WALKWAY

The repeated symmetry of this walkway lighting guides visitors while accenting the line of the path in the design, all with minimum glare.



Line Voltage	 Bullytes Page 119	 Small Floodlytes Page 133	 Large Floodlytes Page 136	 Small Ingrounds Page 149	 Large Ingrounds Page 153	 Steplytes Page 163	 Pathlytes Page 183	 Bollards Page 193	 Beacons Page 205	 Underwater Page 215
Spot Lighting	✓			✓	✓					
Silhouetting	✓	✓	✓							
Shadowing	✓	✓	✓							
Sign Lighting	✓	✓	✓	✓	✓					
Fountain Lighting										✓
Pond Lighting										✓
Grazing	✓		✓	✓	✓					
Downlighting	✓	✓	✓							
Moonlighting	✓	✓								
Up Lighting	✓	✓	✓	✓	✓					
Walkway Lighting							✓	✓	✓	
Spread Lighting							✓	✓	✓	
Step Lighting						✓				
Deck Lighting										
Security Lighting	✓	✓	✓	✓	✓	✓	✓	✓	✓	✓

# Finishes and Materials

## The Proper Fit and Finish

Some lighting fixtures should be statements unto themselves; others should blend into the environment they serve. A fixture that improperly stands out from its surroundings will distract from the artistry of the application. That's why choosing the right material and finish is just as important as choosing the right lamp.

To maximize your choices, Philips Hadco offers an assortment of materials in a spectrum of finishes, each painstakingly developed to harmonize and endure in naturally occurring environments.

Our ULTEM® High-Performance Polymer is a composite material that resists chipping, flaking and fading. Perfect for harsh environments, these composite fixtures are available in Black, Bronze and Verde ... ready to blend into common varieties of soil, mulch or vegetation.


Our die cast aluminum fixtures feature thermoset powdercoat finishes for lasting beauty and durability. In addition to Black, Bronze, Verde and White, other finishes are available for a variety of applications. Garden Green blends into darker vegetation, Sienna matches landscape stone, and Speckled Stone takes its cues from the color palette of the desert. As for Old Marble and Silver – each makes its own statement of style.

Designed to resemble concrete, our Limestone and Sand Stone finishes are developed with actual aggregate, which is bonded to cast aluminum and sanded for unmatched beauty and durability.

Our spun copper fixtures and cast brass fixtures are natural and will patina over time; or you can choose them pre-aged with oxidized finishes like Antique Copper or Oiled Brass. And for a natural finish that never loses its shine, we offer Stainless Steel.

Don't see your finish here? Don't worry. We have hundreds more standard colors ... plus color matching. Contact your Philips Hadco representative for more details.

ULTEM® is a registered trademark of General Electric Company.

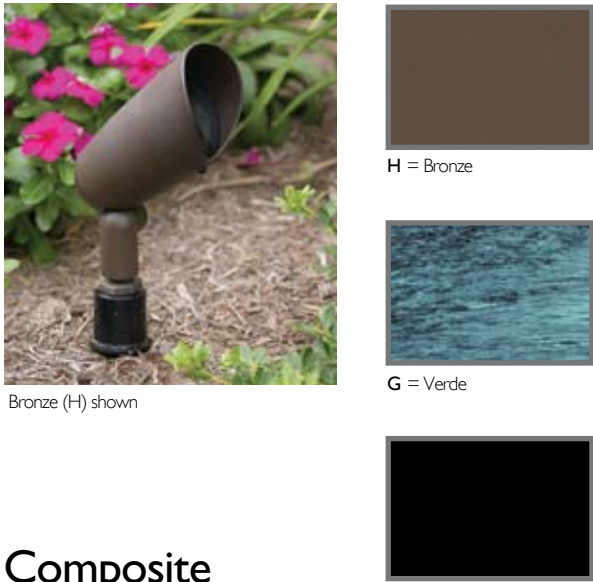


Natural Brass (N) shown

A = Oiled Brass

N = Natural Brass

### Brass



Bronze (H) shown

H = Bronze

G = Verde

A = Black

### Composite

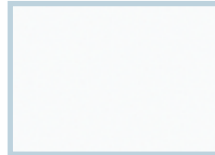
# Finish and Materials Quick Reference



Verde (G) shown



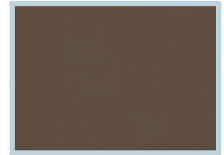
A = Black



B = White



G = Verde



H = Bronze



K = Garden Green



L = Limestone



OM = Old Marble



S = Sandstone



T = Speckled Stone



U = Sienna



X = Silver

## Aluminum



Antique Copper (AC) shown



Copper



AC = Antique Copper

## Copper



Stainless Steel (SS) shown



SS = Stainless Steel

## Steel

# LED Lighting

## What is an LED?

Simply put, an LED, or Light Emitting Diode, is a diode that is chip-mounted in a reflector cup and held in place by a milled steel frame connected to a pair of electrical wires.

When current flows across the junction of the two different materials, light is produced from within the solid crystal chip.

Phillips Hadco uses bright white LEDs as standard, which are developed by coating a blue LED with a phosphor, and thereby generating a white color.

## Why use LED?

- LEDs provide a longevity that is up to 20 times that of standard incandescent lamps, translating to low maintenance.
- LEDs are solid-state devices, meaning no moving parts, glass or filaments to break.
- LEDs are small in size and resistant to vibration or shock.
- LEDs contain no mercury and are environmentally friendly.
- LEDs are more efficient, using up to 90% less energy than other light sources based on watts.







## SOON TO BE RELEASED LED PRODUCTS

LED Lighting



**AUL1**  
LED WALL WASHER



**CUL2**  
LED PATHLYTE



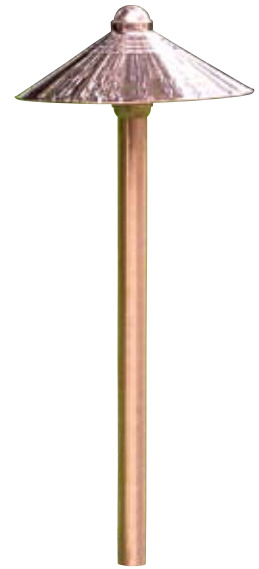
**CUL3**  
LED PATHLYTE



**CUL7**  
LED PATHLYTE



**CUL9**  
LED PATHLYTE



**CUL10**  
LED PATHLYTE



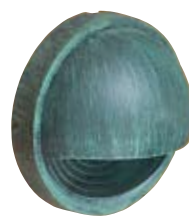
**DAL1**  
LED DECKLYTE



**DAL1-SS**  
LED DECKLYTE



**DCL1**  
LED DECKLYTE



**DUL1**  
LED DECKLYTE



**DRL1**  
LED DOWNLYTE



**DL1**  
LED DOWNLYTE



### B4 LED BULLYTE

- 120 Volt
- 17 total watts consumed
- 1/2" NPS fitter

**HOUSING** – Die-cast aluminum with fully-adjustable swivel arm with vibration-proof locking teeth.

**FINISH** – Black thermoset, hand-rubbed verde antiqued over black thermoset powdercoat, or bronze thermoset powdercoat.

**LENS** – Clear flat tempered glass included with shroud.

**LED** – 5000K color temperature (CCT) or 3000K amber coated tempered glass lens. Approximately 50,000 hours of operational life (at 25 C ambient temperature and 70% lumen maintenance). >80 CRI.

**ELECTRICAL** – 17 watts consumed (total fixture consumption). SmartSelect™ electronic driver 120-277 Vac 50-60hz auto sensing. Integral over-voltage, over-current and short circuit protection (auto-recovery).

**OPTICS** – Narrow (10°), medium (30°) or wide (50°) optics.

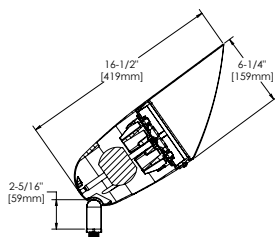
**IP RATING** – IP66 Dust tight and sealed against direct jets of water.

**INTERNAL ACCESSORY** –

\*LEDADP (part number)  
LED Accessory Adaptor Ring

\* Must order this adaptor ring if you order an internal accessory (see page 151).

ETL and cETL listed.



Catalog Number:	Optics: (N) Narrow (M) Medium (W) Wide	Size: (4)	LED Color/Lumens*:		Finish: (A) Black (G) Verde (H) Bronze	Shroud: (L) Long
			CD59 (Cool LED 589 lumens) WD41 (Warm LED 404 lumens)* CD57 (Cool LED 569 lumens) WD40 (Warm LED 400 lumens)	CD53 (Cool LED 525 lumens) WD34 (Warm LED 342 lumens)		
B	(N)	(4)	(CD59, WD41)	( )	(L)	
B	(M)	(4)	(CD57, WD40)	( )	(L)	
B	(W)	(4)	(CD53, WD34)	( )	(L)	



### BL7D1 LED BULLYTE

- 12 Volt
- 1 total watt
- 1/2" NPS fitter

**HOUSING** – Die-cast aluminum with fully-adjustable swivel arm, with vibration-proof locking teeth.

**SHROUD** – Fully-rotatable, gasketed, cast aluminum.

**FINISH** – Black thermoset, hand-rubbed verde antiqued over black thermoset powdercoat, or bronze thermoset powdercoat.

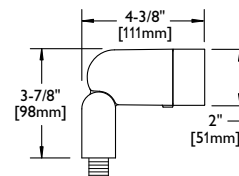
**LENS** – Frosted - 5,000K or Amber - 3,000K.

**LED** – High Output LED, powered 350mA DC to operate for 50,000 hours.

**ELECTRICAL** – Input voltage range (VAC): 10.8-17.5, regulated to 12V DC. Integral surge protector. (Magnetic low voltage transformer required)

**WIRING** – Pre-wired with a 3-ft. pigtail and a quick connector for easy hookup to the supply cable.

ETL and cETL listed.



Catalog Number:	Lens:		Finish:	
	(F) Frosted Lens (W) Amber Lens	( )	(A) Black (G) Verde (H) Bronze	( )
BL7D1	( )	( )	( )	( )



## BL\_5D4

LED BULLYTE

- 12 Volt
- 12.4 total watts (high power)
- 5.0 total watts (low power)
- 1/2" NPS fitter

**HOUSING** – Die-cast aluminum (copper free) with stainless steel fasteners and fully adjustable swivel arm with vibration-proof locking teeth. Rotatable shield provided for glare control. High temperature silicone gaskets.

**SHROUD** – Fully rotatable shroud for glare control.

**FINISH** – Black thermoset, hand-rubbed verde antiqued over black thermoset powdercoat, or bronze thermoset powdercoat.

**LENS** – Tempered glass, part of glare shield. Lens affixed at an angle to promote natural cleaning.

**LED** – Deliver 70% lumen maintenance at 50,000 hours. Cool white (4,000K nominal). Warm white (3,000K nominal).

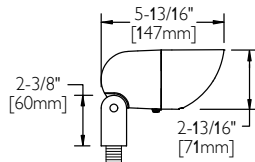
**ELECTRICAL** – 12.4 total watts (high power). 5 total watts (low power). Integral electronic LED driver with integral surge protector. Input voltage range 10.8 - 17.5 VAC.

**OPTICS** – Integral narrow, medium or wide optics available.

**WIRING** – Pre-wired with a 3-ft. pigtail and a quick connector for easy hookup to the supply cable.

**IP RATING** – IP66 Dust tight and sealed against direct jets of water.

ETL, cETL Listed.



Catalog Number	Optic (M) Medium (N) Narrow (W) Wide	LED	Output (H) High (L) Low	CCT (W) Warm (C) Cool	Finish (A) Black (G) Verde (H) Bronze
BL	( )	5D4	( )	( )	( )



## BUL\_1D4

LED BULLYTE

- 12 Volts
- 12.4 total watts (high power)
- 5.0 total watts (low power)
- 1/2" NPS fitter

**HOUSING** – One-piece injection molded Ultem® High Performance Polymer with fully-adjustable swivel arm with vibration-proof locking teeth.

**FINISH** – Color impregnated material in black, hand-rubbed verde antiqued over black, or bronze.

**LENS** – Tempered glass.

**LED** – Deliver 70% lumen maintenance at 50,000 hours. Cool white (4,000K nominal). Warm white (3,000K nominal).

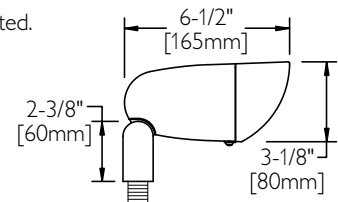
**ELECTRICAL** – 12.4 total watts (high power). 5 total watts (low power). Integral electronic LED driver with integral surge protector. Input voltage range 10.8 - 17.5 VAC.

**OPTICS** – Integral narrow, medium or wide optics available.

**WIRING** – Pre-wired with a 3-ft. pigtail and a quick connector for easy hookup to the supply cable.

**IP RATING** – IP66 Dust tight and sealed against direct jets of water.

ETL, cETL Listed.



Catalog Number	Optic (M) Medium (N) Narrow (W) Wide	LED	Output (H) High (L) Low	CCT (W) Warm (C) Cool	Shroud (L) Long (S) Short	Finish (A) Black (G) Verde (H) Bronze
BUL	( )	1D4	( )	( )	( )	( )



**WAM1/WBM1** LED FLOODLYTE

- 120 Volt
- 12 total watts consumed
- 1/2" NPS fitter

**HOUSING** – Die-cast aluminum with fully-adjustable swivel arm with vibration-proof locking teeth.

**FINISH** – Black thermoset, white, hand-rubbed verde antiqued over black thermoset powdercoat, or bronze thermoset powdercoat.

**LENS** – Clear or frosted tempered glass.

**LED** – 5000K color temperature (CCT) or 3000K amber coated tempered glass lens. Approximately 50,000 hours of operational life (at 25 C ambient temperature and 70% lumen maintenance). >80 CRI.

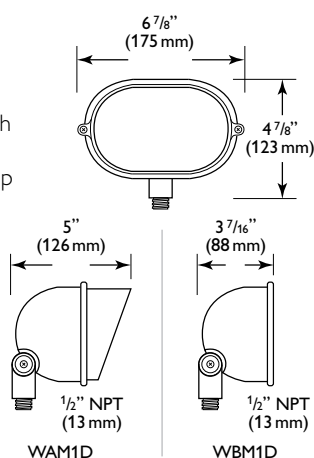
**ELECTRICAL** – Fixture is pre-wired with 18AWG black, white and ground wires. Smart Select Electronic Driver 120 to 277 VAC input; 50-60Hz; auto-sensing. 12 total watts consumed.

**WIRING** – Pre-wired with a 3-ft. pigtail and a quick connector for easy hookup to the supply cable.

**OPTICS** – 150 degree LED spread.

**IP RATING** – IP66  
Dust tight and sealed against direct jets of water.

ETL and cETL listed.



Catalog Number:	Warm Lens:		LED:	Frosted Lens:		Finish:
	(W) Amber Lens	(-) Clear Lens		(F) Frosted Lens	(-) Clear Lens	
WAM1D	( )	( )	80	( )	( )	( )
WBM1D	( )	( )	80	( )	( )	( )



**WAML1/WBML1** LED SPOTLYTE

- 12 Volt
- 6.2 total watts (high power) 3.6 total watts (low power)
- 1/2" NPS fitter

**HOUSING** – Die-cast aluminum with fully-adjustable swivel arm, with vibration-proof locking teeth.

**FINISH** – Black thermoset, white, hand-rubbed verde antiqued over black thermoset powdercoat, or bronze thermoset powdercoat.

**LENS** – Clear or frosted tempered glass.

**LED** – 6000K (cool) color temperature (CCT) or 3000K (warm) amber coated tempered glass lens. Approximately 50,000 hours of operational life (at 25 C ambient temperature and 70% lumen maintenance). >80 CRI.

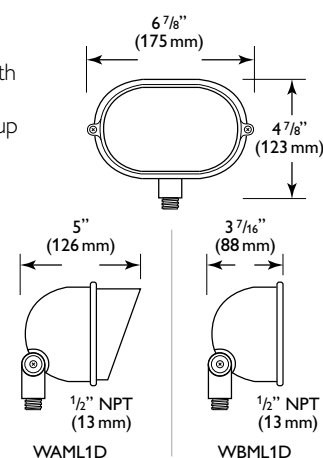
**ELECTRICAL** – Input voltage range (VAC): 10.8-17.5, regulated to 12V DC. Integral surge protector. (Magnetic low voltage transformer required)

**WIRING** – Pre-wired with a 3-ft. pigtail and a quick connector for easy hookup to the supply cable.

**OPTICS** – 150 degree LED spread.

**IP RATING** – IP66  
Dust tight and sealed against direct jets of water.

ETL and cETL listed.



Catalog Number:	Color Temperature:		Lens:	Finish:
	(C3) Cool High Power	(C2) Cool Low Power		
WAML1D	( )	( )	( )	( )
WBML1D	( )	( )	( )	( )



## i2.5

### LED INGROUND

- 120 Volt
- 17 total watts consumed
- 1/2" NPS fitter

**HOUSING** – Single-piece compression molded, fiberglass reinforced polyester composite housing. Separate sealed compartments. Potted factory seal with anti-wicking wiring. Hinged lens ring with captive lens and fasteners. Only two fasteners required to secure lens ring. UL Listed silicone-filled wire nuts provided—no encapsulant or conduit seal required.

**LENS** – Clear convex, tempered borosilicate for high-impact resistance. 3,000 lb live-load rated, drive-over.

**LED** – 5000K color temperature (CCT) or 3000K amber coated tempered glass lens. Approximately 50,000 hours of operational life (at 25 C ambient temperature and 70% lumen maintenance). >80 CRI.

**ELECTRICAL** – 17 watts consumed (total fixture consumption). SmartSelect™ electronic driver 120-277 Vac 50-60hz auto sensing. Integral over-voltage, over-current and short circuit protection (auto-recovery).

**AIMING** – 15° either side of vertical and full 360° rotation. Angle degree marks for precise vertical aiming with tool-less LOC-AIM®.

**IP RATING** – IP66/68 to 1M.

**INTERNAL ACCESSORY** – \*LEDADP (part number) LED Accessory Adaptor Ring

\* Must order adaptor ring if you order an internal accessory (see page 151).

Catalog Number:	Finish:	Optics:	LED Color/Lumens*:
i25	( ) Natural Cast Bronze (SS) Stainless Steel	( ) SP Spot (NF) Narrow Flood (FL) Flood	(WL41) Warm White, 404 Lumens (CL59) Cool White, 589 Lumens (WL40) Warm White, 400 Lumens (CL57) Cool White, 569 Lumens (WL34) Warm White, 342 Lumens (CL53) Cool White, 525 Lumens
i25	( )	SP	(WL41,CL59)
i25	( )	NF	(WL40,CL57)
i25	( )	FL	(WL34,CL53)



## IL\_5D4

### LED INGROUND

- 12 Volt
- 12.4 total watts (high power)
- 5.0 total watts (low power)

**HOUSING** – Single-piece injection molded fiberglass reinforced ULTEM® High Performance Polymer with high temperature rating.

**FINISH** – Color impregnated bronze.

**LENS** – Tempered soda-lime glass for high impact resistance. Lens is convex to assist in water run-off.

**LENS GASKET** – High-temperature silicone suitable for extreme conditions.

**LED** – Deliver 70% lumen maintenance at 50,000 hours. Cool white (4,000K nominal). Warm white (3,000K nominal).

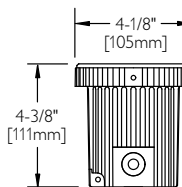
**ELECTRICAL** – 12.4 total watts (high power). 5 total watts (low power). Integral electronic LED driver with integral surge protector. Input voltage range 10.8 - 17.5 VAC.

**OPTICS** – Integral narrow, medium or wide optics available.

**WIRING** – Pre-wired with a 3-ft. pigtail and a quick connector for easy hookup to the supply cable.

**IP RATING** – IP66/68 to 1M (3.28FT):

Dust-tight and dual rated - sealed against direct jets of water and against continuous immersion up to a depth of 1 meter (3.28 FT).



Catalog Number:	Optic:	Output:	CCT:	Finish:
IL	( ) (M) Medium (N) Narrow (W) Wide	( ) (H) High (L) Low	( ) (W) Warm (C) Cool	( ) (H) Bronze
IL	( )	5D4	( )	H



## UL\_5D4

### LED UNDERWATER

- 12 Volt
- 12.4 total watts (high power)
- 5.0 total watts (low power)

**HOUSING** – Single-piece injection molded fiberglass reinforced ULTEM® High Performance Polymer with high temperature rating.

**FINISH** – Color impregnated bronze.

**LENS** – Tempered soda-lime glass for high impact resistance. Lens is convex to assist in water runoff.

**LENS RING** – Single-piece injection molded, fiberglass reinforced ULTEM® High Performance Polymer with high temperature rating. Twist-lock with single screw for ease of maintenance.

**LED** – Deliver 70% lumen maintenance at 50,000 hours. Cool white (4,000K nominal). Warm white (3,000K nominal).

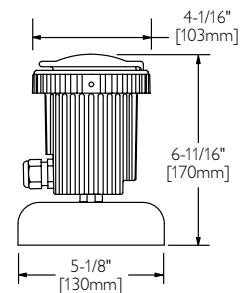
**ELECTRICAL** – 12.4 total watts (high power). 5 total watts (low power). Integral electronic LED driver with integral surge protector. Input voltage range 10.8 - 17.5 VAC.

**OPTICS** – Integral narrow, medium or wide optics available.

**WIRING** – 10 ft. SVO cord for hard wiring to low voltage supply cable.

Note: For commercial use only. Not for swimming pools, hot tubs or any other personal home use. May cause shock or even death.

**IP RATING** – IP66/68 to 1M (3.28FT).



Catalog Number:	Optic:	Output:	CCT:	Finish:
UL	( ) (M) Medium (N) Narrow (W) Wide	( ) (H) High (L) Low	( ) (W) Warm (C) Cool	( ) (H) Bronze
UL	( )	5D4	( )	H

**RL4D(W)\*3** LED PATHLYTE

- 12 Volt
- 6.5 total watts
- 1/2" NPS fitter

**HOUSING** – Cast aluminum construction.

**FINISH** – Black thermoset powdercoat.

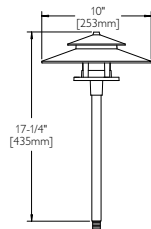
**LENS** – Frosted tempered glass.

**LED** – Deliver 70% lumen maintenance at 50,000 hours. Cool white (4,000K nominal). Warm white (3,000K nominal).

**ELECTRICAL** – Input voltage range (VAC): 10.8-17.0, regulated to 12V DC. Integral surge protector. (Magnetic low voltage transformer required)

**WIRING** – Pre-wired with a 3-ft. pigtail and a quick connector for easy hookup to the supply cable.

**IP RATING** – IP66 Dust tight and sealed against direct jets of water.



Catalog Number:	Voltage:	Wattage:	Finish:
RL4D(W)*3-A	12V	6.5W	Black

\*(W) warm option

**CL2D2(W)\*3** LED PATHLYTE

- 12 Volt
- 6.5 total watts
- 1/2" NPS fitter

**HOUSING** – Cast aluminum with stainless steel fasteners.

**FINISH** – Black or bronze thermoset powdercoat, verde hand-rubbed over black powdercoat.

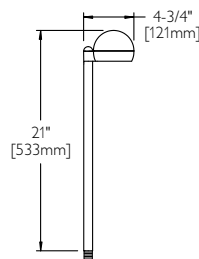
**LENS** – Clear tempered flat glass lens.

**LED** – Warm white (3000K) or cool white (6000K) LEDs deliver 70% lumen maintenance at 50,000 hours.

**ELECTRICAL** – Input voltage range (VAC): 10.8-17.0, regulated to 12V DC. Integral surge protector. (Magnetic low voltage transformer required)

**WIRING** – Pre-wired with a 3-ft. pigtail and a quick connector for easy hookup to the supply cable.

**IP RATING** – IP66 Dust tight and sealed against direct jets of water.



Catalog Number:	Voltage:	Wattage:	Finish:
CL2D(W)*2-A	12V	6.5W	Black
CL2D(W)*2-G	12V	6.5W	Verde
CL2D(W)*2-H	12V	6.5W	Bronze

\*(W) warm option

**ML4D(W)\*3** LED PATHLYTE

- 12 Volt
- 6.5 total watts
- 1/2" NPS fitter

**HOUSING** – Cast aluminum with stainless steel fasteners.

**FINISH** – Black or bronze thermoset powdercoat, verde hand-rubbed over black powdercoat.

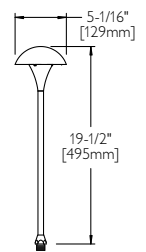
**LENS** – Frosted tempered glass sprinkler shield with molded silicone gaskets.

**LED** – Warm white (3000K) or cool white (6000K) LEDs deliver 70% lumen maintenance at 50,000 hours.

**ELECTRICAL** – Input voltage range (VAC): 10.8-17.0, regulated to 12V DC. Integral surge protector. (Magnetic low voltage transformer required)

**WIRING** – Pre-wired with a 3-ft. pigtail and a quick connector for easy hookup to the supply cable.

**IP RATING** – IP66 Dust tight and sealed against direct jets of water.



Catalog Number:	Voltage:	Wattage:	Finish:
ML4D(W)*3-A	12V	6.5W	Black
ML4D(W)*3-G	12V	6.5W	Verde
ML4D(W)*3-H	12V	6.5W	Bronze

\*(W) warm option



### AL4D(W)\*3 LED PATHLYTE

- 12 Volt
- 6.5 total watts
- 1/2" NPS fitter

**HOUSING** – Cast aluminum with stainless steel fasteners.

**FINISH** – Black, bronze or old marble thermoset powdercoat, verde hand-rubbed over black powdercoat.

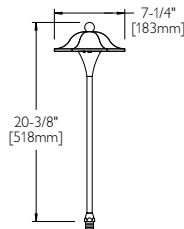
**LENS** – Frosted tempered glass sprinkler shield with molded silicone gaskets.

**LED** – Warm white (3000K) or cool white (6000K) LEDs deliver 70% lumen maintenance at 50,000 hours.

**ELECTRICAL** – Input voltage range (VAC): 10.8-17.0, regulated to 12V DC. Integral surge protector. (Magnetic low voltage transformer required)

**WIRING** – Pre-wired with a 3-ft. pigtail and a quick connector for easy hookup to the supply cable.

**IP RATING** – IP66 Dust tight and sealed against direct jets of water.



Catalog Number:	Voltage:	Wattage:	Finish:
AL4D(W)*3-A	12V	6.5W	Black
AL4D(W)*3-G	12V	6.5W	Verde
AL4D(W)*3-H	12V	6.5W	Bronze
AL4D(W)*3-OM	12V	6.5W	Old Marble

\*(W) warm option



### AL41D(W)\*3 LED PATHLYTE

- 12 Volt
- 6.5 total watts
- 1/2" NPS fitter

**HOUSING** – Cast aluminum with stainless steel fasteners.

**FINISH** – Black, bronze or old marble thermoset powdercoat, verde hand-rubbed over black powdercoat.

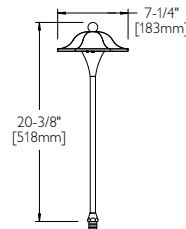
**LENS** – Frosted tempered glass sprinkler shield with molded silicone gaskets.

**LED** – Warm white (3000K) or cool white (6000K) LEDs deliver 70% lumen maintenance at 50,000 hours.

**ELECTRICAL** – Input voltage range (VAC): 10.8-17.0, regulated to 12V DC. Integral surge protector. (Magnetic low voltage transformer required)

**WIRING** – Pre-wired with a 3-ft. pigtail and a quick connector for easy hookup to the supply cable.

**IP RATING** – IP66 Dust tight and sealed against direct jets of water.



Catalog Number:	Voltage:	Wattage:	Finish:
AL41D(W)*3-A	12V	6.5W	Black
AL41D(W)*3-G	12V	6.5W	Verde
AL41D(W)*3-H	12V	6.5W	Bronze
AL41D(W)*3-OM	12V	6.5W	Old Marble

\*(W) warm option



### TRL4D(W)\*3 LED PATHLYTE

- 12 Volt
- 6.5 total watts
- 1/2" NPS fitter

**HOUSING** – Cast aluminum with stainless steel fasteners.

**FINISH** – Black, bronze, speckled stone or sienna thermoset powdercoat, verde hand-rubbed over black powdercoat.

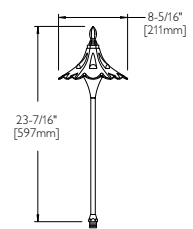
**LENS** – Frosted tempered glass sprinkler shield with molded silicone gaskets.

**LED** – Warm white (3000K) or cool white (6000K) LEDs deliver 70% lumen maintenance at 50,000 hours.

**ELECTRICAL** – Input voltage range (VAC): 10.8-17.5, regulated to 12V DC. Integral surge protector. (Magnetic low voltage transformer required)

**WIRING** – Pre-wired with a 3-ft. pigtail and a quick connector for easy hookup to the supply cable.

**IP RATING** – IP66 Dust tight and sealed against direct jets of water.



Catalog Number:	Voltage:	Wattage:	Finish:
TRL4D(W)*3-A	12V	6.5W	Black
TRL4D(W)*3-H	12V	6.5W	Bronze
TRL4D(W)*3-G	12V	6.5W	Verde
TRL4D(W)*3-T	12V	6.5W	Sp. Stone
TRL4D(W)*3-U	12V	6.5W	Sienna

\*(W) warm option



**RSC2**  
Aluminum



**RSF2**  
Polycarbonate



**RSS2**  
Polycarbonate



**RSV2**  
Aluminum



**RSC2**  
Cast Bronze



**RSV2**  
Cast Bronze

**HOUSING** – Die-cast aluminum back box contains less than 0.3% copper to prevent corrosion in concrete or masonry applications.

**TRIM RING** – Die-cast aluminum trim contains less than 0.3% copper to resist corrosion. Cast bronze fixture has polycarbonate, color-impregnated, dark bronze finish (RSC2 and RSV2 only).

**FINISH** – Aluminum parts have zinc-rich primer and thermoset powdercoat for durability. Cast bronze has natural finish (RSC2 and RSV2 only).

**CAST LOUVER FACEPLATE** – Die-cast copper-free aluminum with 45° cutoff, with frosted tempered glass. Cast bronze louver is natural cast bronze with frosted tempered glass (RSC2 and RSV2 only). Amber Lens option (3000k)

**OPAL FACEPLATE** – Opal UV stabilized injection molded polycarbonate with frosted glass siliconed on inside for durability.

**LOUVER SCREEN FACEPLATE** – Clear UV stabilized injection molded polycarbonate with 45° louvered screen insert.

**LED** – Deliver 70% lumen maintenance at 50,000 hours. Cool white (5,500K nominal). Amber lens option (3,000K). 3 LED: 10.4 total watts. 5 LED: 13.5 total watts.

**REFLECTOR** – Specular aluminum formed reflector.

**ELECTRICAL** – Integral Advance™ electronic LED driver with integral surge protector. UL Class 2. -40° C/F minimum starting temperature. Pre-wired with #18 AWG wire. Electrical components are mounted on a removable tray for easy installation after housing is installed.

**WIRING** – Supply wires connect directly to the quick connect on the integral power supply.

**ADA COMPLIANT** – Compliant when used in indoor and outdoor wall applications.

**IP RATING** – IP66 Dust tight and sealed against direct jets of water.

ETL, cETL Listed.

**ACCESSORIES**

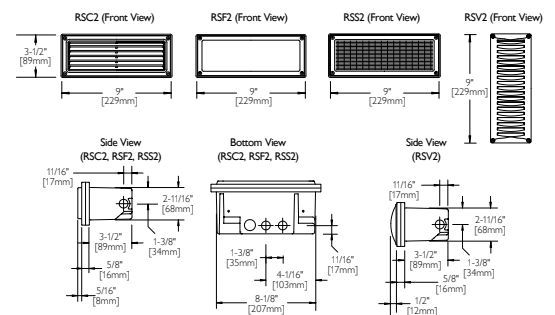
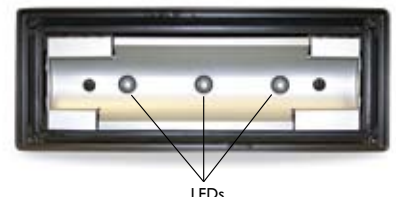
Catalog Number:	Description:
MAKM	Masonry Construction Mounting Kit
MAKNS	New Stud Wall Construction Mounting Kit
MAKES	Existing Stud Wall Construction Mounting Kit

Note: All units supplied with mounting hardware for concrete pour installation. If other mounting kits are required, order accessory above.

**ORDERING GUIDE**

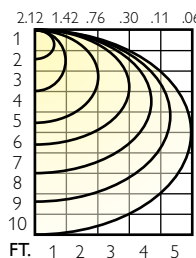
Catalog Number:	Finish: (A) Black (B) White (H) Bronze (N) Natural Cast Bronze	Sym Optics: K5 or L5	Lamping: D3 (3 1w LEDs) D5 (5 1w LEDs)	Warm: Amber Lens (W)	Voltage: (E) 120
RSC2	(Specify)	K5	(Specify)	(W)	E
RSF2	(A,H)	L5	(Specify)	(W)	E
RSS2	(A,H)	K5	(Specify)	(W)	E
RSV2	(Specify)	K5	(Specify)	(W)	E
RS2D-AHO*	Black	Housing Only for Pre-shipment			
RS2D-BHO*	White	LED Housing Only for Pre-shipment			
RS2D-HHO*	Bronze	LED Housing Only for Pre-shipment			
RS2D-NHO*	Natural Cast Bronze	LED Housing Only for Pre-shipment			

\*When housing only is ordered for pre-shipment, add suffix "LH" (Less Housing) to complete catalog number to order fixture without housing.

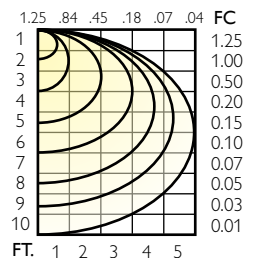


**PHOTOMETRIC INFORMATION**

**5-1w LEDs**  
2 Foot Mounting Height



**3-1w LEDs**  
2 Foot Mounting Height



# Low Voltage Accent Lighting

Tree lighting. Moon lighting. Spot lighting.

Grazing. You've created the scene.

Now it's time to light it up.

Downplay. Accentuate. Soften. Enrich.

Bullytes, floodlytes, wall washers, downlytes ...

the right size, the right combination,

the right finish.

For every effect you can imagine,

the keys are here to unlock the beauty

of your landscape with light.





# BULLYTES



## EL1 BRASS

**EL1-N** Natural Brass

- 12 Volt
- 10 watt maximum
- T3 Lamp (included)
- 1/2" NPS fitter

**HOUSING** – Die-cast brass with fully-adjustable brass yoke-mounted arm and brass screws. Includes 30° flood aluminum reflector.

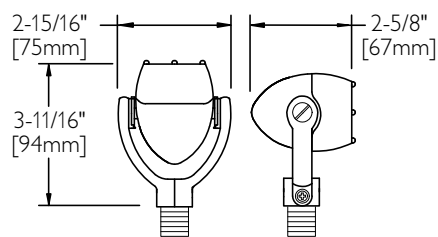
**FINISH** – Natural brass finish.

**LENS** – Clear tempered glass.

**SOCKET** – Bi-pin type (G4).

**WIRING** – Pre-wired with a 3-ft. pigtail and a quick connector for easy hookup to the supply cable.

ETL, cETL Listed.



## BL711 ALUMINUM

**BL711-A** Black

**BL711-H** Bronze

**BL711-U** Sienna

**BL711-G** Verde

**BL711-T** Speckled Stone

- 12 Volt
- 35 watt maximum (MR11 Lamp)
- 20 watt maximum (T3)
- 1/2" NPS fitter

**HOUSING** – Die-cast aluminum with fully-adjustable swivel arm with vibration-proof locking teeth.

**SHROUD** – Gasketed, cast aluminum.

**FINISH** – Black thermoset, hand-rubbed verde antiqued over black thermoset powdercoat, bronze, speckled stone or sienna thermoset powdercoat.

**LENS** – Clear tempered glass.

**SOCKET** – Bi-pin type (G4).

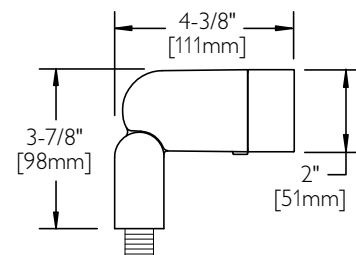
**WIRING** – Prewired with a 3-ft. pigtail and a quick connector for easy hookup to the supply cable.

ETL Listed 35w maximum.

cETL Listed 20w maximum.

catalog no. description

 ML7 Louver





## BL756 ALUMINUM

**BL756-A** Black                    **BL756-G** Verde  
**BL756-H** Bronze                **BL756-T** Speckled Stone  
**BL756-U** Sienna

- 12 Volt
- 27 watt maximum
- 1156 Lamp (included)
- 1/2" NPS fitter

**HOUSING** – Die-cast aluminum with fully-adjustable swivel arm with vibration-proof locking teeth.

**SHROUD** – Gasketed, cast aluminum.

**FINISH** – Black thermoset, hand-rubbed verde antiqued over black thermoset powdercoat, bronze, speckled stone or sienna thermoset powdercoat.

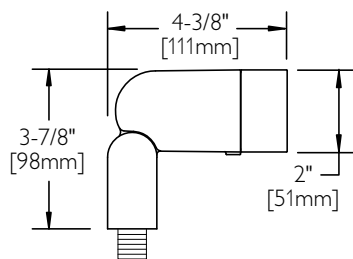
**LENS** – Clear tempered glass.

**SOCKET** – Single contact bayonet (S-8).

**WIRING** – Prewired with a 3-ft. pigtail and a quick connector for easy hookup to the supply cable.

ETL, cETL Listed.

catalog no.	description
-------------	-------------



## BL616 ALUMINUM

**BL616-A** Black                    **BL616-G** Verde  
**BL616-H** Bronze                **BL616-T** Speckled Stone  
**BL616-U** Sienna

- 12 Volt
- 50 watt maximum
- MR16 Lamp
- 1/2" NPS fitter

**HOUSING** – Die-cast aluminum with fully-adjustable swivel arm with vibration-proof locking teeth.

**SHROUD** – Gasketed, cast aluminum.

**FINISH** – Black thermoset, hand-rubbed verde antiqued over black thermoset powdercoat, bronze, speckled stone or sienna thermoset powdercoat.

**LENS** – Clear tempered glass.

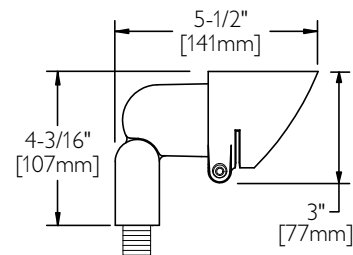
**SOCKET** – Bi-pin type (GU5.3).

**WIRING** – Prewired with a 3-ft. pigtail and a quick connector for easy hookup to the supply cable.

ETL Listed 50w maximum.

cETL Listed 35w maximum.

catalog no.	description	catalog no.	description
-------------	-------------	-------------	-------------



# BULLYTES



## BL5016 ALUMINUM

- BL5016-A Black
- BL5016-H Bronze
- BL5016-U Sienna
- BL5016-G Verde
- BL5016-T Speckled Stone

- 12 Volt
- 50 watt maximum
- MR16 Lamp
- 1/2" NPS fitter

**HOUSING** – Die-cast marine grade aluminum alloy with fully-adjustable swivel arm with vibration-proof locking teeth.

**SHROUD** – Fully-rotatable, double gasketed, die-cast marine grade aluminum alloy.





**FINISH** – Black thermoset, hand-rubbed verde antiqued over black, bronze, speckled stone or sienna thermoset powdercoat.

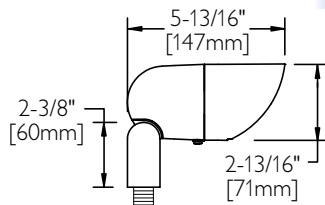
**LENS** – Clear tempered glass, affixed at 10° angle for natural cleaning.

**SOCKET** – Bi-pin type (GU5.3).

**WIRING** – Pre-wired with a 3-ft. pigtail and a quick connector for easy hookup to the supply cable.

ETL, cETL Listed.

catalog no.	description	catalog no.	description
 ICG16	Louver	 ISL16	Spread Lens
 IBL16	Ice Blue Lens	 IAS16	Linear Spread Lens



## BUL16 COMPOSITE

- BUL16-A Black
- BUL16-H Bronze
- BUL16-G Verde

- 12 Volt
- Clear Tempered Lens
- 35 watt maximum
- MR16 Lamp
- 1/2" NPS fitter

**HOUSING** – One-piece injection molded ULTEM® High Performance Polymer with fully-adjustable swivel arm with vibration-proof locking teeth.

**SHROUD** – Fully-rotatable, gasketed, ULTEM® High Performance Polymer composite.





**FINISH** – Color impregnated material in black, bronze, or hand-rubbed verde antiqued over black.

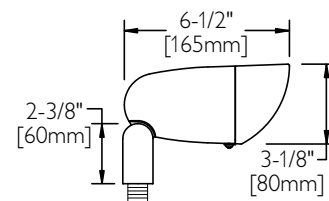
**LENS** – Clear tempered glass affixed at 10° angle for natural cleaning.

**SOCKET** – Bi-pin type (GU5.3).

**WIRING** – Pre-wired with a 3-ft. pigtail and a quick connector for easy hookup to the supply cable.

ETL Listed 35W max, cETL Listed 20W max.

catalog no.	description	catalog no.	description
 ICG16	Louver	 ISL16	Spread Lens
 IBL16	Ice Blue Lens	 IAS16	Linear Spread Lens





## BL16 BRASS

**BL16-N** Natural Brass    **BL16-OB** Oiled Brass

- 12 Volt
- 50 watt maximum
- MR16 Lamp
- Long Shroud
- 1/2" NPS fitter

**HOUSING** – Die-cast brass with fully-adjustable swivel arm with vibration-proof locking teeth.

**SHROUD** – Fully-rotatable, gasketed, die-cast brass.





**FINISH** – Natural brass or oiled brass. Oiled brass finish is chemically treated and appearance will vary between production runs. Finish will continue to patina over time.

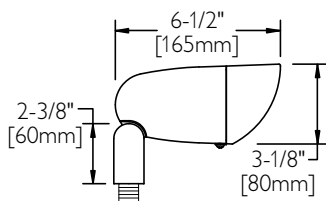
**LENS** – Clear tempered glass affixed at 10° angle for natural cleaning.

**SOCKET** – Bi-pin type (GU5.3).

**WIRING** – Pre-wired with a 3-ft. pigtail and a quick connector for easy hookup to the supply cable.

ETL, cETL Listed.

catalog no.	description	catalog no.	description
 ICG16	Louver	 ISL16	Spread Lens
 IBL16	Ice Blue Lens	 IAS16	Linear Spread Lens



## CUL16 COPPER

**CUL16** Copper

- 12 Volt
- 35 watt maximum
- MR16 Lamp (20 watt included)
- 1/2" NPS fitter

**MATERIAL** – Machined solid copper with fully-adjustable natural brass swivel arm and brass fastener.

**FINISH** – Natural copper will age to a fine patina.





**LENS** – Clear tempered glass.

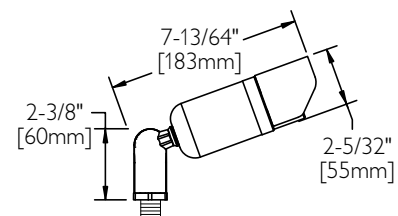
**SOCKET** – Bi-pin type (G4)

**WIRING** – Pre-wired with a 3-ft. pigtail and a quick connector for easy hookup to the supply cable.

ETL Listed 35w maximum.

cETL Listed 20w maximum.

catalog no.	description	catalog no.	description
 MGM1	Louver	 MLS1	Spread Lens
 MLB1	Ice Blue Lens	 MLS2	Linear Spread Lens



# BULLYTES



## GABL16 COPPER

### GABL16-AC Hand-Crafted Copper

- 12 Volt
- 35 watt maximum
- MR16 Lamp
- 1/2" NPS fitter

**HOUSING** – Hand-formed solid copper. Die-cast brass, fully-adjustable swivel arm with vibration-proof locking teeth and brass fastener.

**FINISH** – Natural copper with hand-applied oxide coating will age naturally to a fine patina.

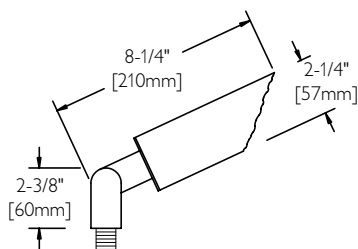
**LENS** – Clear tempered glass.

**SOCKET** – Bi-pin type (GU5.3).

**WIRING** – Pre-wired with a 3-ft. pigtail and a quick connector for easy hookup to the supply cable.

ETL Listed 35w maximum.

cETL Listed 20w maximum.



## BL36 ALUMINUM

### BL36-A Black

### BL36-H Bronze

### BL36-U Sienna

### BL36-G Verde

### BL36-T Speckled Stone

- 12 Volt
- 50 watt maximum
- PAR36 Lamp
- 1/2" NPS fitter

**HOUSING** – Die-cast aluminum with fully-adjustable swivel arm with vibration-proof locking teeth.

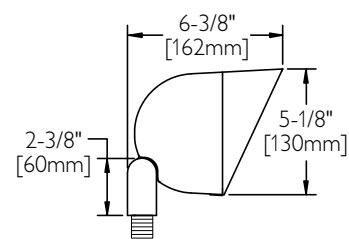
**SHROUD** – Fully-rotatable, die-cast aluminum.

**FINISH** – Black thermoset, hand-rubbed verde antiqued over black thermoset powdercoat, bronze, speckled stone or sienna thermoset powdercoat.

**SOCKET** – Double screw terminal.

**WIRING** – Pre-wired with a 3-ft. pigtail and a quick connector for easy hookup to the supply cable.

ETL, cETL Listed.





## BPL36 COMPOSITE

**BPL36-A** Black                      **BPL36-G** Verde  
**BPL36-H** Bronze

- 12 Volt
- 50 watt maximum
- PAR36 Lamp
- 1/2" NPS fitter

**HOUSING** – One-piece injection molded polyester resin with fully-adjustable swivel arm with vibration-proof locking teeth.

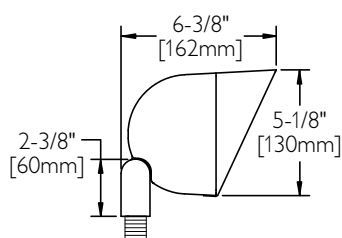
**SHROUD** – Fully-rotatable, injection molded polyester resin.

**FINISH** – Color impregnated material in black, bronze, or hand-rubbed verde antiqued over black.

**SOCKET** – Double screw terminal.

**WIRING** – Pre-wired with a 3-ft. pigtail and a quick connector for easy hookup to the supply cable.

ETL, cETL Listed.



## BL1 ALUMINUM (LONG SHROUD)

**BL1-AL** Black                      **BL1-GL** Verde  
**BL1-HL** Bronze                      **BL1-TL** Speckled Stone  
**BL1-UL** Sienna

- 12 Volt
- 75 watt maximum
- MR16 Lamp
- 1/2" NPS fitter

**HOUSING** – Die-cast aluminum with fully-adjustable swivel arm with vibration-proof locking teeth.

**SHROUD** – Fully-rotatable, gasketed, die-cast aluminum.





**FINISH** – Black thermoset, hand-rubbed verde antiqued over black thermoset powdercoat, bronze, speckled stone or sienna thermoset powdercoat.

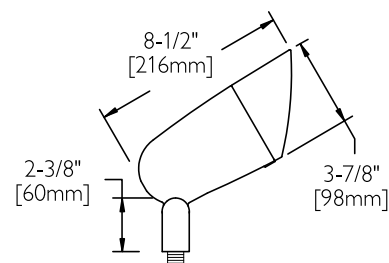
**LENS** – Clear tempered glass.

**SOCKET** – Bi-pin type (GU5.3).

**WIRING** – Pre-wired with a 3-ft. pigtail and a quick connector for easy hookup to the supply cable.

ETL, cETL Listed.

catalog no.	description	catalog no.	description
	ICG16 Louver		ISL16 Spread Lens
	IBL16 Ice Blue Lens		IAS16 Linear Spread Lens



# BULLYTES



## BL1 ALUMINUM (SHORT SHROUD)

- BL1-AS Black
- BL1-HS Bronze
- BL1-US Sienna
- BL1-GS Verde
- BL1-TS Speckled Stone

- 12 Volt
- 75 watt maximum
- MR16 Lamp
- 1/2" NPS fitter

**HOUSING** – Die-cast aluminum with fully-adjustable swivel arm with vibration-proof locking teeth.

**SHROUD** – Fully-rotatable, gasketed, cast aluminum.





**FINISH** – Black thermoset, hand-rubbed verde antiqued over black thermoset powdercoat, bronze, speckled stone or sienna thermoset powdercoat.

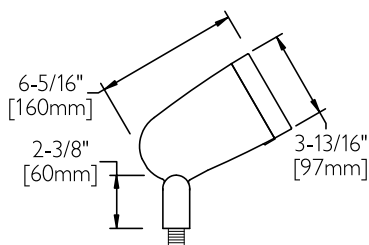
**LENS** – Clear tempered glass.

**SOCKET** – Bi-pin type (GU5.3).

**WIRING** – Pre-wired with a 3-ft. pigtail and a quick connector for easy hookup to the supply cable.

ETL, cETL Listed.

catalog no.	description	catalog no.	description
	ICG16 Louver		ISL16 Spread Lens
	IBL16 Ice Blue Lens		IAS16 Linear Spread Lens



## BUL1 COMPOSITE (LONG SHROUD)

- BUL1-AL Black
- BUL1-HL Bronze
- BUL1-GL Verde

- 12 Volt
- Clear Tempered Lens
- 50 watt maximum
- MR16 Lamp
- 1/2" NPS fitter

**HOUSING** – One-piece injection molded ULTEM® High Performance Polymer composite with fully-adjustable swivel arm with vibration-proof locking teeth.

**SHROUD** – Fully-rotatable, gasketed, ULTEM® High Performance Polymer composite.





**FINISH** – Color impregnated material in black, bronze, or hand-rubbed verde antiqued over black.

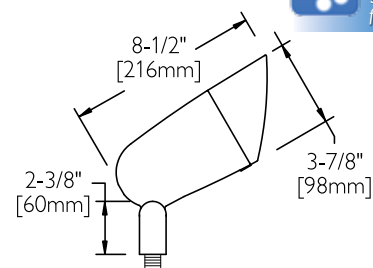
**LENS** – Clear tempered glass.

Socket – Bi-pin type (GU5.3).

**WIRING** – Pre-wired with a 3-ft. pigtail and a quick connector for easy hookup to the supply cable.

ETL, cETL Listed, cETL 20W max.

catalog no.	description	catalog no.	description
	ICG16 Louver		ISL16 Spread Lens
	IBL16 Ice Blue Lens		IAS16 Linear Spread Lens





## BUL1 COMPOSITE (SHORT SHROUD)

**BUL1-AS** Black                      **BUL1-GS** Verde  
**BUL1-HS** Bronze

- 12 Volt
- Clear Tempered Lens
- 50 watt maximum
- MR16 Lamp
- 1/2" NPS fitter

**HOUSING** – One-piece injection molded ULTEM® High Performance Polymer composite with fully-adjustable swivel arm with vibration-proof locking teeth.

**SHROUD** – Fully-rotatable, gasketed, ULTEM® High Performance Polymer composite.





**FINISH** – Color impregnated material in black, bronze, or hand-rubbed verde antiqued over black.

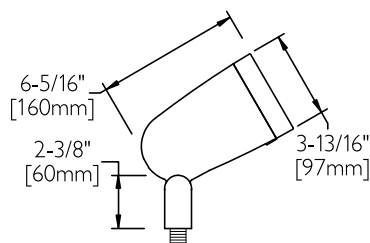
**LENS** – Clear tempered glass.

Socket – Bi-pin type (GU5.3).

**WIRING** – Pre-wired with a 3-ft. pigtail and a quick connector for easy hookup to the supply cable.

ETL, cETL Listed, cETL 20W max.

catalog no.	description	catalog no.	description
	ICG16 Louver		ISL16 Spread Lens
	IBL16 Ice Blue Lens		IAS16 Linear Spread Lens



## BL1 BRASS (LONG SHROUD)

**BL1-NL** Natural Brass    **BL1-OBL** Oiled Brass

- 12 Volt
- 75 watt maximum
- MR16 Lamp
- 1/2" NPS fitter

**HOUSING** – Die-cast brass with fully-adjustable swivel arm with vibration-proof locking teeth.

**SHROUD** – Fully-rotatable, gasketed, die-cast brass.





**FINISH** – Natural brass or oiled brass finish. Oiled brass finish is chemically treated and appearance will vary between production runs. Finish will continue to patina over time.

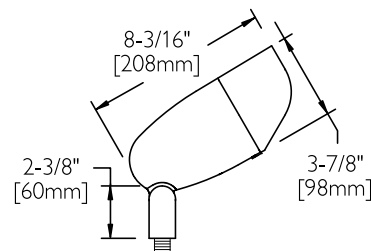
**LENS** – Clear tempered glass.

**SOCKET** – Bi-pin type (GU5.3).

**WIRING** – Pre-wired with a 3-ft. pigtail and a quick connector for easy hookup to the supply cable.

ETL, cETL Listed.

catalog no.	description	catalog no.	description
	ICG16 Louver		ISL16 Spread Lens
	IBL16 Ice Blue Lens		IAS16 Linear Spread Lens



# FLOODLYTES/WALL WASHERS



## WAML14(F)\* ALUMINUM

WAML14-A Black      WAML14-B White  
WAML14-G Verde      WAML14-H Bronze

- 12 Volt
- 50 watt maximum
- T4 Halogen lamp (included)
- 1/2" NPS fitter

**HOUSING** – Die-cast aluminum housing with fully-adjustable swivel arm with vibration-proof locking teeth.

**SHROUD** – Gasketed, cast aluminum.

**FINISH** – Black thermoset, white thermoset, hand-rubbed verde antiqued over black thermoset powdercoat or bronze thermoset powdercoat.

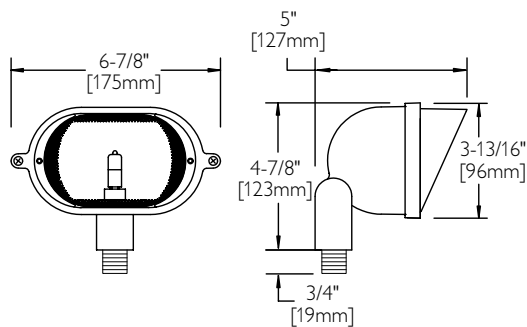
**LENS** – Clear or Frosted tempered glass. All lenses fully gasketed.

**SOCKET** – Bi-pin type (GY6.35).

**WIRING** – Pre-wired with a 3-ft. pigtail and a quick connector for easy hookup to the supply cable.

ETL, cETL Listed.

catalog no.	description
MW12	Cutoff Louver



\*(F) when ordering optional Frosted Lens



## WBML14(F)\* ALUMINUM

WBML14-A Black      WBML14-B White  
WBML14-G Verde      WBML14-H Bronze

- 12 Volt
- 35 watt maximum
- T4 Halogen lamp (included)
- 1/2" NPS fitter

**HOUSING** – Die-cast aluminum housing with fully-adjustable swivel arm with vibration-proof locking teeth.

**SHROUD** – Gasketed, cast aluminum.

**FINISH** – Black thermoset, white thermoset, hand-rubbed verde antiqued over black thermoset powdercoat or bronze thermoset powdercoat.

**LENS** – Clear or Frosted tempered glass. All lenses fully gasketed.

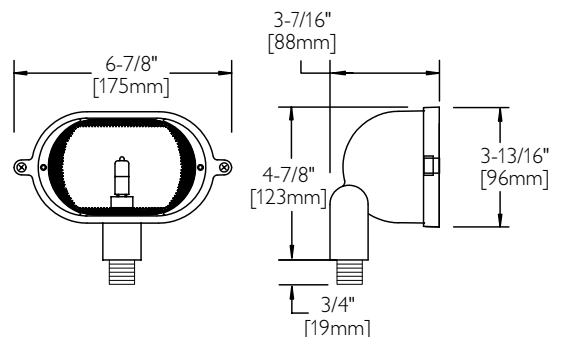
**SOCKET** – Bi-pin type (GY6.35).

**WIRING** – Pre-wired with a 3-ft. pigtail and a quick connector for easy hookup to the supply cable.

ETL, cETL Listed.



catalog no.	description	catalog no.	description
MW12	Cutoff Louver	MW11	Barn Doors



\*(F) when ordering optional Frosted Lens

# FLOODLYTES/WALL WASHERS



## RL116 ROCKLYTE

**RL116-I** Granite

- 12 Volt
- 50 watt maximum
- MR16 Lamp

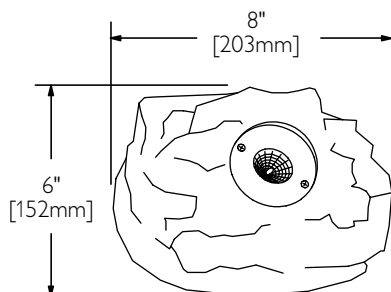
**HOUSING** – Constructed of fiberglass reinforced molded concrete and cast aluminum lamp housing with non-ferrous fasteners.

**FINISH** – Natural granite.

**LENS** – Clear tempered glass.

**SOCKET** – Bi-pin type (GU5.3).

**WIRING** – Pre-wired with a 3-ft. pigtail and a quick connector for easy hookup to the supply cable.



## AAL1 ALUMINUM

**AAL1-A** Black

**AAL1-G** Verde

- 12 Volt
- 27 watt maximum
- 1156 Lamp (included)
- 1/2" NPS fitter

**HOUSING** – Cast aluminum construction with non-ferrous fasteners.

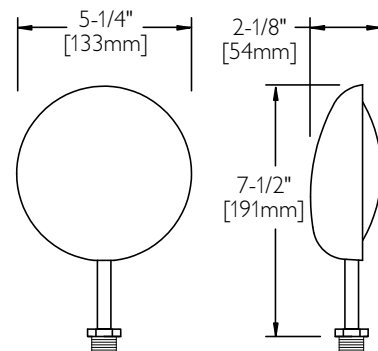
**FINISH** – Black thermoset powdercoat or hand-rubbed verde antiqued over black thermoset powdercoat.

**LENS** – Clear polycarbonate shield.

**SOCKET** – Single contact bayonet (S-8).

**WIRING** – Pre-wired with a 3-ft. pigtail and a quick connector for easy hookup to the supply cable.

ETL, cETL Listed.



**PHILIPS**  
**HADCO**

# WALL WASHERS



## AUL1 COMPOSITE

AUL1-A Black                      AUL1-G Verde

- 12 Volt
- 20 watt maximum
- T3 Lamp (included)
- 1/2" NPS fitter

**HOUSING** – Injection molded ULTEM® High Performance Polymer composite with adjustable swivel arm with vibration-proof locking teeth.

**FINISH** – Color impregnated black or hand-rubbed verde antiqued over black.

**LENS** – Clear polycarbonate shield.

Socket – Bi-pin type (G4).

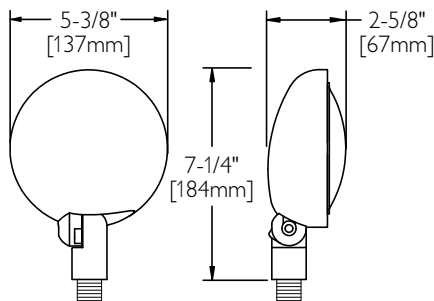
**WIRING** – Pre-wired with a 3-ft. pigtail and a quick connector for easy hookup to the supply cable.

ETL Listed 20w maximum.

cETL Listed 10w maximum.



See LED section for more details.



## GAWL1 COPPER

GAWL1-AC Hand-Crafted Copper

- 12 Volt
- 20 watt maximum
- T3 Lamp (included)
- 1/2" NPS fitter

**HOUSING** – Hand-formed solid copper, with hand-applied oxide coating.

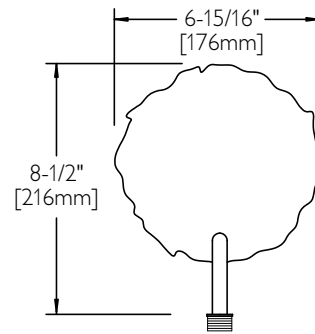
**FINISH** – Natural copper will age naturally to a fine patina.

**LENS** – Clear polycarbonate shield.

**SOCKET** – Bi-pin type (G4).

**WIRING** – Pre-wired with a 3-ft. pigtail and a quick connector for easy hookup to the supply cable.

ETL, cETL Listed.





## GAHL1 COPPER

### GAHL1-AC Hand-Crafted Copper

- 12 Volt
- 27 watt maximum
- 1156 Lamp (included)

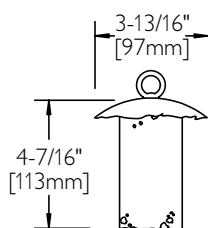
**HOUSING** – Hand-formed solid copper with hand-applied oxide coating. 12" hanging kit included.

**FINISH** – Natural copper will age naturally to a fine patina.

**SOCKET** – Single contact bayonet (S-8).

**WIRING** – Pre-wired with a 3-ft. pigtail and a quick connector for easy hookup to the low voltage supply cable.

ETL, cETL Listed.



## DL1 ALUMINUM

### DL1-A Black

### DL1-G Verde

- 12 Volt
- 27 watt maximum
- 1156 Lamp (included)

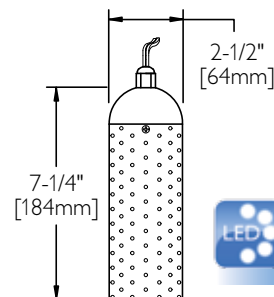
**HOUSING** – Cast aluminum top cap with aluminum body and 5-ft. stainless suspension cable.

**FINISH** – Black thermoset powdercoat or hand-rubbed verde antiqued over black thermoset powdercoat.

**SOCKET** – Single contact bayonet (S-8).

**WIRING** – Pre-wired with a 3-ft. pigtail and a quick connector for easy hookup to the low voltage supply cable.

UL, cUL Listed.



# DOWNLYTES



## DRL1 ALUMINUM

**DRL1-A** Black      **DRL1-G** Verde

- 12 Volt
- 35 watt maximum
- MR16 Lamp

**HOUSING** – Cast aluminum top cap with aluminum body and 5-ft. stainless suspension cable.

**FINISH** – Black thermoset powdercoat or hand-rubbed verde antiqued over black thermoset powdercoat.

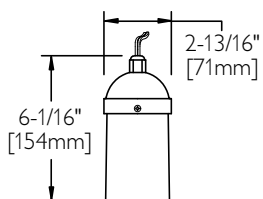
**LENS** – Clear tempered glass.

**SOCKET** – Bi-pin type (GU5.3).

**WIRING** – Pre-wired with 3-ft. pigtail and a quick connector for easy hookup to the low voltage supply cable.

ETL Listed 35w maximum.

cETL Listed 20w maximum.



## DSL2 ALUMINUM

**DSL2-A** Black      **DSL2-B** White

- 12 Volt
- 18 watt maximum
- 1141 Lamp (included)

**HOUSING** – Machined aluminum top cap and cast aluminum body with adjustable yoke.

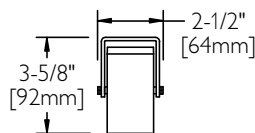
**FINISH** – Black or white thermoset powdercoat.

**LENS** – Frosted tempered glass lens.

**SOCKET** – Single contact bayonet base (S-8).

**WIRING** – Pre-wired with 3-ft. pigtail and a quick connector for easy hookup to the supply cable.

ETL, cETL Listed.



## DRL2 ALUMINUM

**DRL2-A** Black      **DRL2-G** Verde

- 12 Volt
- 35 watt maximum
- MR16 Lamp

**HOUSING** – Cast aluminum top cap with aluminum body and adjustable mounting yoke.

**FINISH** – Black thermoset powdercoat or hand-rubbed verde antiqued over black thermoset powdercoat.

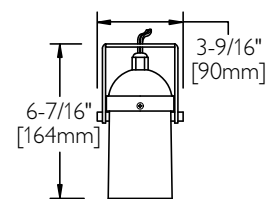
**LENS** – Clear tempered glass.

**SOCKET** – Bi-pin type (GU5.3).

**WIRING** – Pre-wired with 3-ft. pigtail and a quick connector for easy hookup to the supply cable.

ETL Listed 35w maximum.

cETL Listed 20w maximum.





## LLL COPPER

LLL6-AC

LLL12-AC

LLL24-AC

- 12 Volt
- 10 watt maximum
- Wedge base Xenon lamp (included)

**HOUSING** – Solid copper square extrusion with solid copper ends.

**FINISH** – Natural copper will patina with age.

**SOCKET** – Wedge base hinged for relamping (LLL24 has two (2) sockets each).

**REFLECTOR** – Stainless steel.

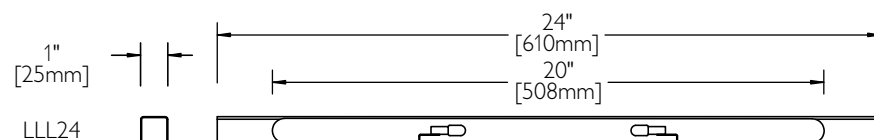
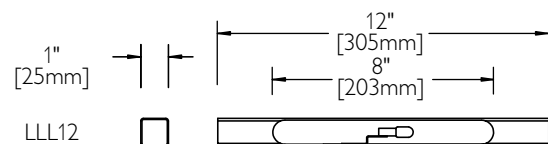
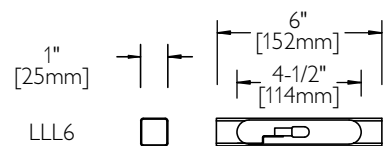
**MOUNTING** – Two (2) stainless #8 wood screws (supplied) via key slots.

Mounting Accessory – MPLLL (part number)

Mounting plate for brick, block or stone walls (sold separately).

**WIRING** – Pre-wired with a 3-ft. pigtail and quick connector for easy hookup to the supply cable.

ETL, cETL Listed.



# Low Voltage Inground Lighting

Inground lighting provides a low profile light source, creating a dramatic effect that brings the subject alive.

Our inground products do exactly that, and do it well. Designed to blend into a variety of settings and terrain, our ingrounds are available with your choice of trim rings, rock guards and accessories. Properly installed, they'll guild your landscape for years.





# INGROUNDS



**IL116/IL136** COMPOSITE TRIM RING



COMPOSITE ROCK GUARD



CAST BRONZE  
TRIM RING



CAST BRONZE  
ROCK GUARD



STAINLESS STEEL  
BRUSHED MATTE FINISH  
TRIM RING

**HOUSING** – Single-piece compression molded, fiberglass reinforced polyester composite housing.

**TRIM RING** – Compression molded polyester; or die-cast stainless steel; or natural cast bronze.

**ROCK GUARD** – Directional for glare control. Compression molded polyester or natural cast bronze.

**LENS** – Clear convex, tempered soda-lime glass for high impact resistance. 2,200-pound live-load rated, standard walk-over.

**SOCKET** – MR16: bi-pin type (GU5.3). PAR36/AR111: double screw terminal base

**ELECTRICAL** – Low voltage fixtures supplied with 3-ft. of 18-2 direct burial cable and low voltage quick connector.

**AIMING** – MR16 and PAR36 lamps have 15° either side of vertical and 358° rotation.

**ADA COMPLIANT** – Compliant when used in concrete and flush mounted with CP2 or CPS2.

ETL, cETL Listed.

# INGROUNDS

## ACCESSORIES



### CP2

PVC Concrete Pour Kit.



### CPS2

Stainless Steel Concrete Pour Kit.



### IBL16

Internal Snap-on Ice Blue Tempered Lens. Lamp – MR16



### ICG16

Internal Snap-on Honeycomb Louver. Lamp – MR16



### ICG36

Internal Snap-on Honeycomb Louver. Lamp – PAR36



### IBL1

Exterior Ice Blue Tempered Lens.



### IAS16

Internal Linear Spread Lens. Lamp – MR16



### ISL16

Internal Snap-on Spread Lens. Lamp – MR16

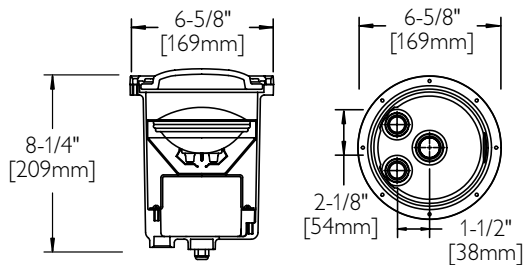


### IS1H

Cast Aluminum Exterior Glare Shield.  
Finish – Bronze Color  
Can not be used with rockguard.

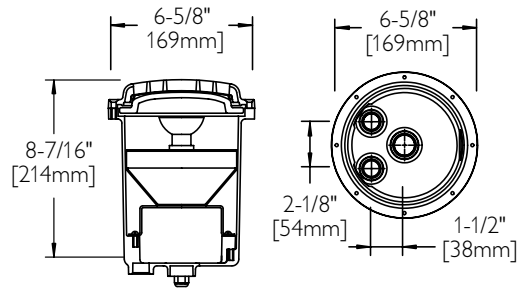
### IL136

(with trim ring)



### IL116

(with rock guard)



## LOW VOLTAGE INGROUND PRODUCT SELECTION GUIDE

Catalog Number	Description	Finish	Max Wattage	Lamp
IL116-H	Composite Inground with Composite Trim Ring	Bronze	75w	MR16
IL116G-H	Composite Inground with Composite Rock Guard	Bronze	75w	MR16
IL116-N	Composite Inground with Cast Bronze Trim Ring	Natural Cast Bronze	75w	MR16
IL116G-N	Composite Inground with Cast Bronze Rock Guard	Natural Cast Bronze	75w	MR16
IL116-SS	Composite Inground with Stainless Steel Trim Ring	Stainless Steel	75w	MR16
IL136-H	Composite Inground with Composite Trim Ring	Bronze	75w	PAR36 / AR111
IL136G-H	Composite Inground with Composite Rock Guard	Bronze	75w	PAR36 / AR111
IL136-N	Composite Inground with Cast Bronze Trim Ring	Natural Cast Bronze	75w	PAR36 / AR111
IL136G-N	Composite Inground with Cast Bronze Rock Guard	Natural Cast Bronze	75w	PAR36 / AR111
IL136-SS	Composite Inground with Stainless Steel Trim Ring	Stainless Steel	75w	PAR36 / AR111

# INGROUNDS



## IUL516 COMPOSITE

### IUL516-H Bronze

- 12 Volt
- 35 watt maximum
- MR16 Lamp

**HOUSING** – Single-piece injection molded fiberglass reinforced ULTEM® High Performance Polymer.

**LENS RING** – Single-piece injection molded ULTEM® High Performance Polymer with gasketed lens. Twist-off operation for ease of maintenance.

**FINISH** – Color impregnated bronze composite.

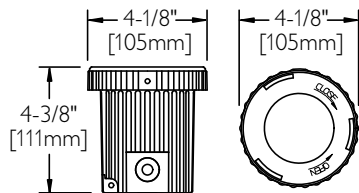
**LENS** – Convex lens is clear, high temperature tempered glass furnished with silicone O-ring for watertight seal.

**SOCKET** – Bi-pin type (GU5.3).

**WIRING** – Pre-wired with a 3-ft. pigtail and a quick connector for easy hook-up to the supply cable.

ETL, cETL Listed.

catalog no.	description	catalog no.	description
	ICG16 Louver		ISL16 Spread Lens
	IBL16 Ice Blue Lens		IAS16 Linear Spread Lens
	CP5 Concrete Pour Kit		



## IL336 COMPOSITE

### IL336-A Black

- 12 Volt
- 50 watt maximum
- PAR36 Lamp

### IL336-AL Black

- 12 Volt
- 50 watt maximum
- PAR36 Lamp (20w included)

**HOUSING** – Single-piece PVC tube. Straight cut end allows flush ground mounting, and an accessory lens guard (IL3H) or rock guard (IG3H or IG30H) may be ordered separately, but is not required. Angled cut end requires the top 3" installed above ground for maximum vertical spot aiming with shielding being provided on three (3) sides.

**LAMP HOLDER** (Patented) – Durable silicone rubber lamp holder has integral fins to allow the height and angle of the lamp to be adjusted without any mechanical moving parts. Fixture offers 360° lamp rotation and up to 45° off vertical aiming adjustability, restricted only by the cutoff of the housing.




**FINISH** – Black silicone lampholder with black PVC sleeve.

**LENS** – Optional lens available, see below.

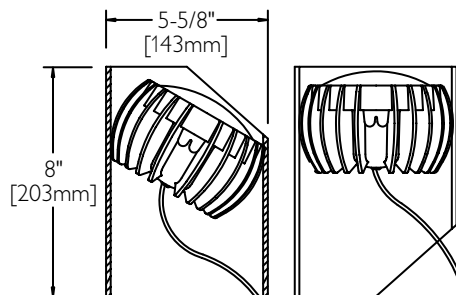
**SOCKET** – Double screw terminal.

**WIRING** – 3-ft. of 18-2 low voltage cable with a low voltage quick connector for easy hook-up to the low voltage supply cable.

ETL, cETL Listed.

catalog no.	description	catalog no.	description
	IG3H Rockguard		IG30H Rockguard without lens
	IL3H Lens Guard		

Above accessories to be used with straight cut end only.





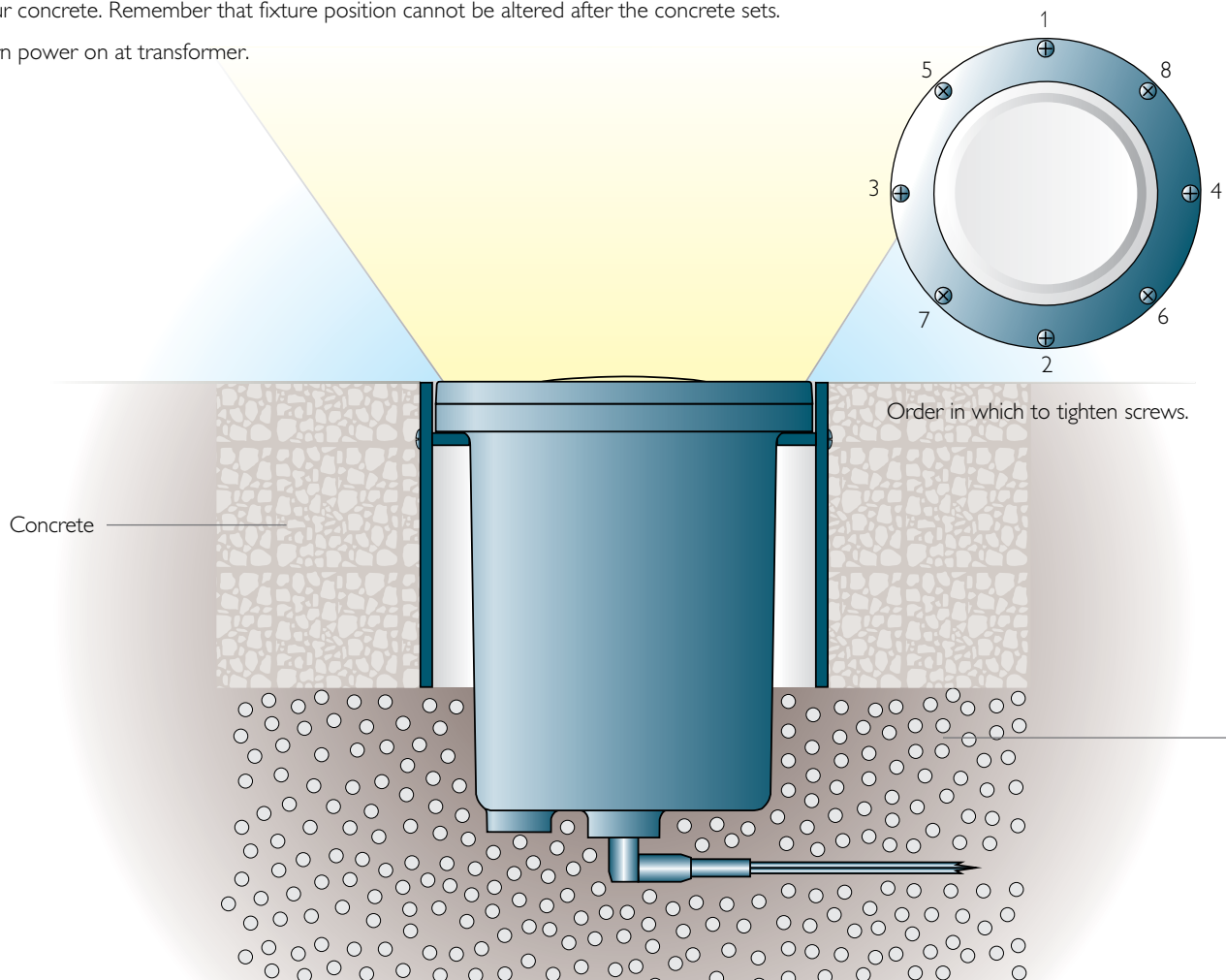
# LOW VOLTAGE INGROUNND INSTALLATION

Installation of inground fixtures requires special consideration. Proper grading, drainage material and tightly securing the lens and gasket are procedures that are key to a successful inground installation. The following are basic steps in installing inground fixtures in either concrete (using the concrete pour accessory) or soil. For greater detailed instructions, refer to the installation sheet enclosed with each fixture.

## CONCRETE INSTALLATION (IL116 SHOWN)

*NOTE: To ensure proper drainage, prepare gravel foundation. Make certain that the concrete level, when poured, will be flush with the top of the concrete pour accessory. To help decrease condensation, energize fixture for 20 minutes prior to installing and tightening main lens and retainer ring.*

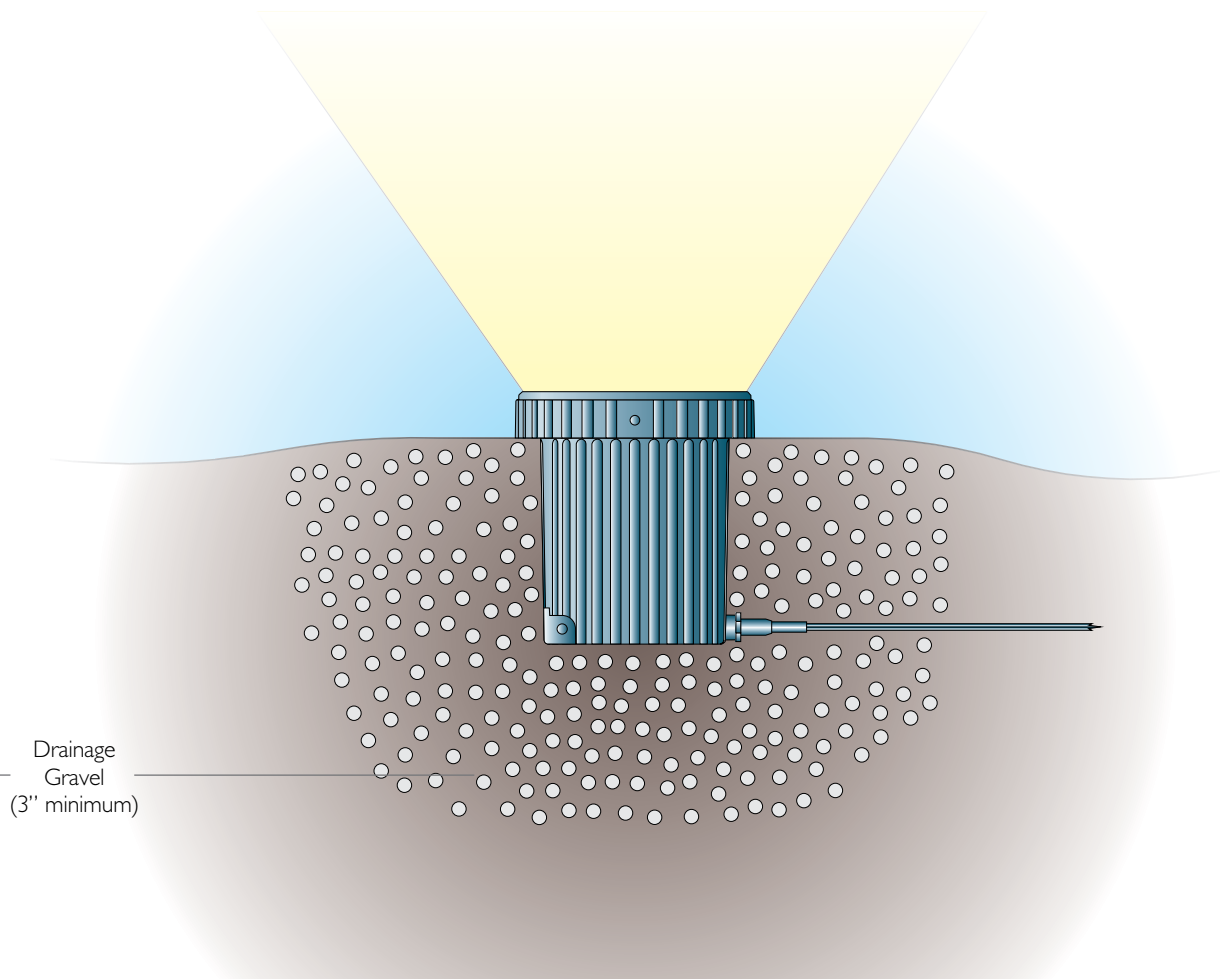
1. Remove trim ring and lens and install specified lamp. Replace trim ring and lens.
2. Position the fixture housing into the concrete pour accessory, making sure that the underside of the housing flange rests on top of the set screws. Tighten set screws on side of accessory to lock the housing into place (do not over-tighten). Secure assembly to the final location with re-bar or other anchoring device.
3. Excavate soil where the fixture is to be installed.
4. Place assembly into excavated opening. Be sure there is a minimum of 3" of drainage material (sand or gravel only) covering the bottom of the hole.
5. Fill area with a minimum of 3" of drainage material. Be sure not to fill area flush with top of frame and assembly. This is to be filled with concrete.
6. Connect low voltage fixture wire to low voltage cable running to remote transformer, using silicone wire nuts or quick connector (supplied).
7. Pour concrete. Remember that fixture position cannot be altered after the concrete sets.
8. Turn power on at transformer.



# GROUND INSTALLATION (IUL516 SHOWN)

NOTE: Do not place fixture in a below grade location as the fixture will collect dirt and debris, and possibly become submerged in extremely wet conditions. Do not place plantings too close to the fixture as the foliage may grow over the luminaire, blocking the light. Do not allow mulch to touch inground fixture in any way as this may cause the fixture to overheat and fail.

1. Excavate soil for fixture placement and conduit runs, making sure the fixture will be elevated and the grade sloped down from the fixture. Be certain to allow a minimum of 3" of drainage material (sand or gravel only) under and around the housing.
2. Remove trim ring and lens and install specified lamp. Replace trim ring.
3. After drainage material is installed in the bottom, place fixture housing into hole, back-filling a minimum of 3" of drainage material (sand or gravel only) around the side of the housing. Be certain that the underside of housing flange rests on top of grade level.
4. Connect low voltage fixture wire to low voltage cable running to remote transformer, using silicone wire nuts or quick connector (supplied).
5. Turn power on at transformer.



# Low Voltage Step and Deck Lighting

Shining beauty. Radiant safety.

Glowing ambiance.

From decorative to utilitarian and everything  
in between, our step and deck fixtures  
give you the power to create outdoor  
living spaces people will treasure.

Broaden the boundaries ...

and make the outdoors outstanding.





# DECKLYTES



## GADL1 COPPER

**GADL1-AC** Hand-Crafted Copper

- 12 Volt
- 10 watt maximum
- 10 watt Xenon lamp (included)

**HOUSING** – Hand-formed solid copper.

**FINISH** – Natural copper with hand-applied oxide coating will age naturally to a fine patina.

**SOCKET** – Wedge base.

**WIRING** – Pre-wired with 6-ft. pigtail and a quick connector for easy hookup to the supply cable.

ETL, cETL Listed.



## GADL2 COPPER

**GADL2-AC** Hand-Crafted Copper

- 12 Volt
- 10 watt maximum
- 10 watt Xenon lamp (included)

**HOUSING** – Hammered solid copper with copper back plate.

**FINISH** – Natural copper with hand-applied oxide coating for pre-aged appearance. Will age naturally to a fine patina.

**SOCKET** – Wedge base.

**WIRING** – Pre-wired with 6-ft. pigtail and a quick connector for easy hookup to the supply cable.

ETL, cETL Listed.



## CUL20 COPPER

**CUL20** Copper

- 12 Volt
- 10 watt maximum
- 10 watt Xenon lamp (included)

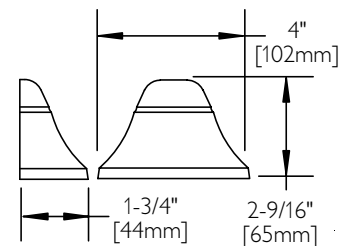
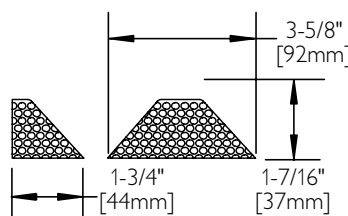
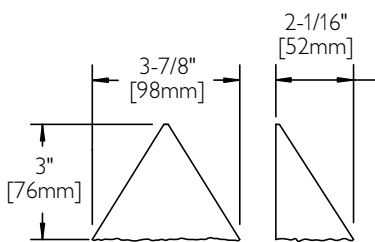
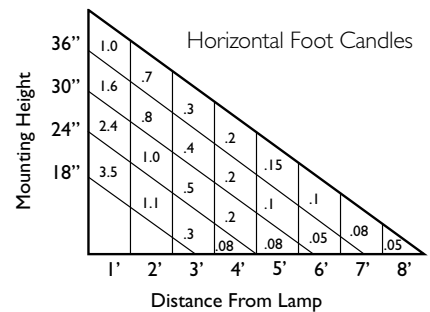
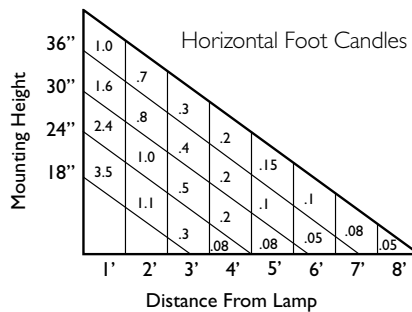
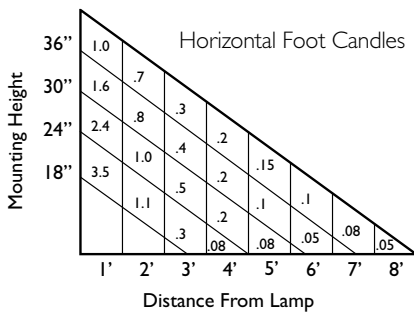
**HOUSING** – Spun solid copper.

**FINISH** – Natural copper will age naturally to a fine patina. Reflective white powdercoat on underside of roof.

**SOCKET** – Wedge base.

**WIRING** – Pre-wired with 6-ft. pigtail and a quick connector for easy hookup to the supply cable.

ETL, cETL Listed.





## DUL1 COMPOSITE

- DUL1-A Black
- DUL1-G Verde
- DUL1-H Bronze

- 12 Volt
- 10 watt maximum
- T3 Lamp (included)

**HOUSING** – Injection fiberglass reinforced molded ULTEM® High Performance Polymer housing with stainless steel set screws.

**FINISH** – Color impregnated black, bronze, or hand-rubbed verde antiqued over black.

**LENS** – Frosted annealed glass.

**SOCKET** – Bi-pin type (G4).

**WIRING** – Pre-wired with 6-ft. pigtail and a quick connector for easy hookup to the supply cable.

ETL, cETL Listed.

## DCL1 BRASS

DCL1-N Natural Brass

- 12 Volt
- 10 watt maximum
- T3 Lamp (included)

**HOUSING** – Solid die-cast brass housing and backplate with stainless steel set screws.

**FINISH** – Natural brass finish.

**LENS** – Frosted annealed glass.

**SOCKET** – Bi-pin type (G4).

**WIRING** – Pre-wired with 6-ft. pigtail and a quick connector for easy hookup to the supply cable.

ETL, cETL Listed.

## DAL1 ALUMINUM

- DAL1-A Black
- DAL1-B White
- DAL1-G Verde
- DAL1-H Bronze
- DAL1-T Speckled Stone
- DAL1-U Sienna

- 12 Volt
- 10 watt maximum
- T3 Lamp (included)

**HOUSING** – Cast aluminum construction with stainless steel set screws.

**FINISH** – Black thermoset, white thermoset, hand-rubbed verde antiqued over black thermoset powdercoat, bronze, speckled stone, or sienna thermoset powdercoat.

**LENS** – Frosted annealed glass.

**SOCKET** – Bi-pin type (G4).

**WIRING** – Pre-wired with 6-ft. pigtail and a quick connector for easy hookup to the supply cable.

ETL, cETL Listed.

## DAL1-SS STAINLESS STEEL

DAL1-SS Stainless Steel

- 12 Volt
- 10 watt maximum
- T3 Lamp (included)

**HOUSING** – Stainless steel housing with stainless steel set screws.

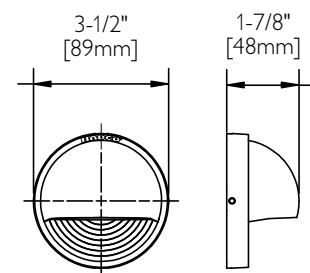
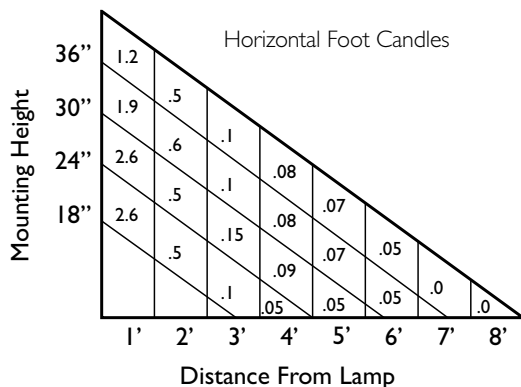
**FINISH** – Stainless steel brushed matte finish

**LENS** – Frosted annealed glass.

**SOCKET** – Bi-pin type (G4).

**WIRING** – Pre-wired with 6-ft. pigtail and a quick connector for easy hookup to the supply cable.

ETL, cETL Listed.



# DECKLYTES



## SRL4 ALUMINUM

**SRL4-A** Black                      **SRL4-B** White  
**SRL4-G** Verde                      **SRL4-H** Bronze

- 12 Volt
- 10 watt maximum
- 10 watt Xenon lamp (included)

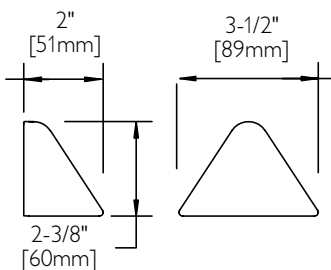
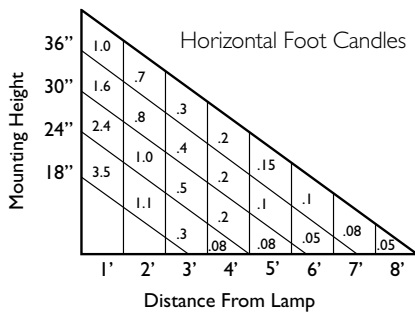
**HOUSING** – Cast aluminum construction.

**FINISH** – Black thermoset, white thermoset, hand-rubbed verde antiqued over black thermoset powdercoat, or bronze thermoset powdercoat.

**SOCKET** – Wedge base.

**WIRING** – Pre-wired with 6-ft. pigtail and a quick connector for easy hookup to the supply cable.

ETL, cETL Listed.



## SRL3 ALUMINUM

**SRL3-A** Black                      **SRL3-H** Bronze

- 12 Volt
- 18 watt maximum
- 1141 Lamp (included)

**HOUSING** – Die-cast aluminum with stainless steel fasteners.

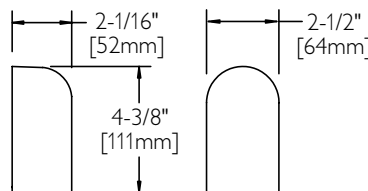
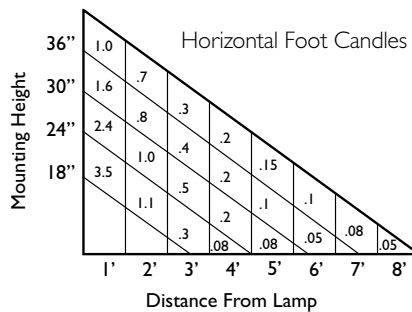
**FINISH** – Black or bronze thermoset powdercoat.

**LENS** – Frosted tempered glass.

**SOCKET** – Single contact bayonet (S-8).

**WIRING** – Pre-wired with 6-ft. pigtail and a quick connector for easy hookup to the supply cable.

ETL, cETL Listed.



## DSL1 ALUMINUM

**DSL1-A** Black                      **DSL1-B** White

- 12 Volt
- 18 watt maximum
- 1141 Lamp (included)

**HOUSING** – Die-cast aluminum with stainless steel fasteners.

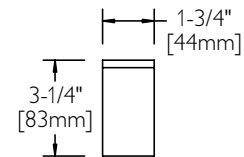
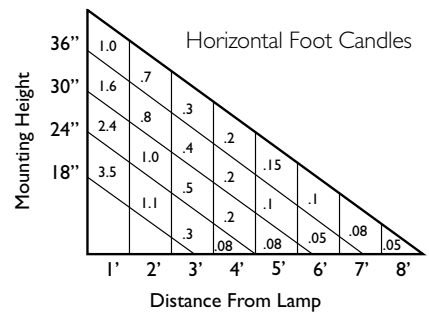
**FINISH** – Black or white thermoset powdercoat.

**LENS** – Frosted tempered glass.

**SOCKET** – Single contact bayonet (S-8).

**WIRING** – Pre-wired with 6-ft. pigtail and a quick connector for easy hookup to the supply cable.

ETL, cETL Listed.





## DHL1 ALUMINUM

DHL1-A Black (*matte*)    DHL1-G Verde (*matte*)  
 DHL1-H Bronze (*matte*)

- 12 Volt
- 7 watt maximum
- T5 Lamp (included)

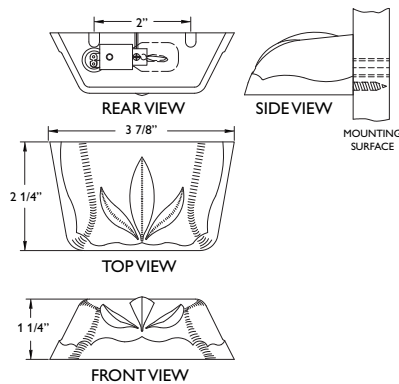
**HOUSING** – All cast aluminum construction.

**FINISH** – Black thermoset, hand-rubbed verde antiqued over black thermoset powdercoat, or bronze thermoset powdercoat.

**SOCKET** – Wedge base (T5).

**WIRING** – Pre-wired and cable connector for easy hookup to the supply cable.

ETL, cETL Listed.



## GADL7 COPPER

GADL7-AC Hand-Crafted Copper

- 12 Volt
- 10 watt maximum
- T5 Lamp (included)

**HOUSING** – Hand-formed solid copper with back plate.

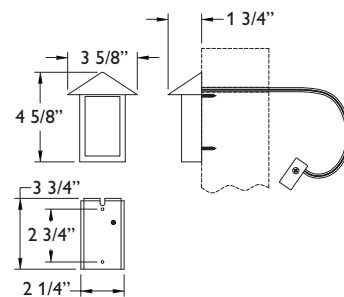
**FINISH** – Natural copper with hand-applied oxide coating for pre-aged appearance. Will age naturally to a fine patina.

**GLASS** – Honey-colored iridized art glass.

**SOCKET** – Wedge base (T5).

**WIRING** – Pre-wired and cable connector for easy hookup to the supply cable.

ETL, cETL Listed.



# DECKLYTES



## GADL8 ALUMINUM

**GADL8-AC** Hand-Crafted Copper

- 12 Volt
- 10 watt maximum
- T5 Lamp (included)

**HOUSING** – Hand-formed solid copper with back plate.

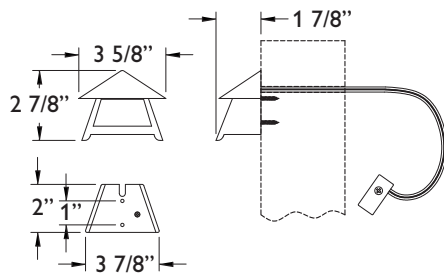
**FINISH** – Natural copper with hand-applied oxide coating for pre-aged appearance. Will age naturally to a fine patina.

**GLASS** – Honey-colored iridized art glass.

**SOCKET** – Wedge base (T5).

**WIRING** – Pre-wired and cable connector for easy hookup to the supply cable.

ETL, cETL Listed.



## GADL9 ALUMINUM

**GADL9-AC** Hand-Crafted Copper

- 12 Volt
- 10 watt maximum
- T5 Lamp (included)

**HOUSING** – Hand-formed solid copper with back plate.

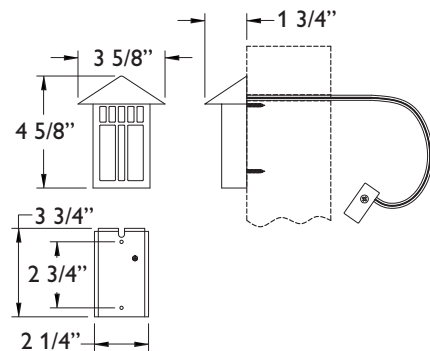
**FINISH** – Natural copper with hand-applied oxide coating for pre-aged appearance. Will age naturally to a fine patina.

**GLASS** – Honey-colored iridized art glass.

**SOCKET** – Wedge base (T5).

**WIRING** – Pre-wired and cable connector for easy hookup to the supply cable.

ETL, cETL Listed.





## GACL1 NATURAL COPPER

**GACL1-AC** Hand-Crafted Copper Down Lyte

- 12 Volt
- 10 watt maximum
- 10 watt Xenon lamp (included)

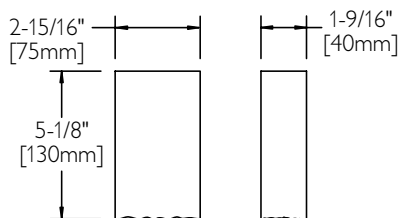
**HOUSING** – Hand-formed solid copper.

**FINISH** – Natural copper with hand-applied oxide coating will age naturally to a fine patina.

**SOCKET** – Wedge base (T5).

**WIRING** – Pre-wired with a 6-ft. pigtail and quick connector for easy hookup to the supply cable.

ETL, cETL Listed.



## GACL2 NATURAL COPPER

**GACL2-AC** Hand-Crafted Copper Up and Down Lyte

- 12 Volt
- 10 watt maximum
- 10 watt Xenon lamp (included)

**HOUSING** – Hand-formed solid copper.

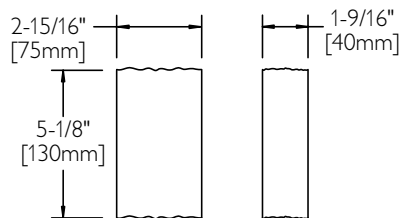
**FINISH** – Natural copper with hand-applied oxide coating will age naturally to a fine patina.

**LENS** – Frosted tempered glass.

**SOCKET** – Wedge base (T5).

**WIRING** – Pre-wired with a 6-ft. pigtail and quick connector for easy hookup to the supply cable.

ETL, cETL Listed.



## RL13 COMPOSITE

**RL13-A** Black

- 12 Volt
- 10 watt maximum
- T3 Lamp (included)
- Adjustable beam

**HOUSING** – Injection-molded Ryton® composite.

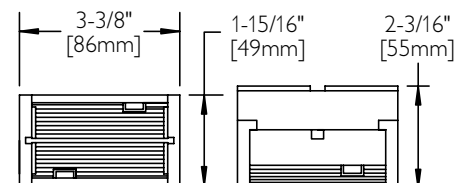
**FINISH** – Color impregnated black.

**LENS** – Molded prismatic acrylic rotatable to allow adjustable light distribution.

**SOCKET** – Bi-pin type (G4).

**WIRING** – Pre-wired with a 6-ft. pigtail and a quick connector for easy hookup to the supply cable.

ETL, cETL Listed.



# DECKLYTES



## DL4 BRASS

### DL4-N Natural Brass

- 12 Volt
- 20 watt maximum
- T3 Lamp (10 watt included)
- Standard 4" x 4" wood post mount

**HOUSING** – Constructed of natural die-cast brass with brass fasteners.

**FINISH** – Natural brass will age over time. Can be field painted.

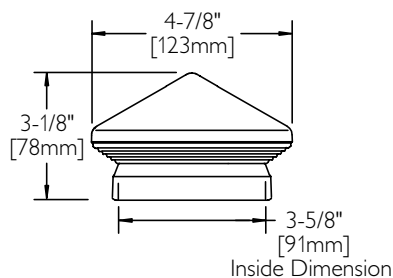
**LENS** – Polycarbonate refractive lens.

**REFLECTOR** – Field adjustable four-sided house-side shield allows light distribution from 1, 2, 3 or all 4 sides.

**SOCKET** – Bi-pin type (G4).

**WIRING** – Pre-wired with a 6-ft. pigtail and a quick connector for easy hookup to the supply cable.

ETL, cETL Listed.



## DL5 BRASS

### DL5-N Natural Brass

- 12 Volt
- 20 watt maximum
- T3 Lamp (10 watt included)
- Standard 4" x 4" wood post mount

**HOUSING** – Constructed of natural die-cast brass with brass fasteners.

**FINISH** – Natural brass will age over time. Can be field painted.

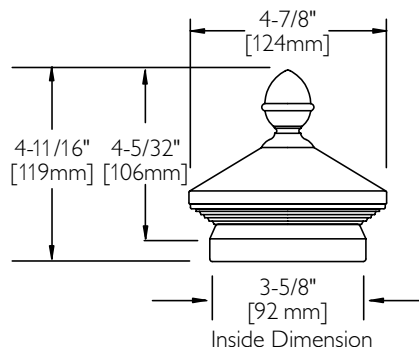
**LENS** – Polycarbonate refractive lens.

**REFLECTOR** – Field adjustable four-sided house-side shield allows light distribution from 1, 2, 3 or all 4 sides.

**SOCKET** – Bi-pin type (G4).

**WIRING** – Pre-wired with a 6-ft. pigtail and quick connector for easy hookup to the supply cable.

ETL, cETL Listed.



## GADL4 COPPER

### GADL4-AC Hand-Crafted Copper

- 12 Volt
- 20 watt maximum
- T3 Lamp (10 watt included)
- Standard 4" x 4" wood post mount

**HOUSING** – Hand-formed solid copper. Brass screws and finial.

**FINISH** – Natural copper with hand-applied oxide coating will age naturally to a fine patina.

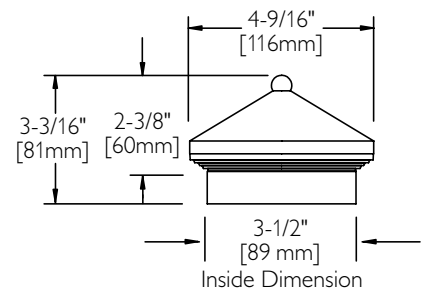
**LENS** – Polycarbonate refractive lens.

**REFLECTOR** – Field adjustable, four-sided house-side shield allows light distribution from 1, 2, 3 or all 4 sides.

**SOCKET** – Bi-pin type (G4).

**WIRING** – Pre-wired with a 6-ft. pigtail and quick connector for easy hookup to the supply cable.

ETL, cETL Listed.





## GADL51/GADL52 COPPER

**GADL51-AC** Hand-Crafted Copper

**GADL52-AC** Hand-Crafted Copper

- 12 Volt
- 35 watt maximum
- T3 Lamp (20 watt included)

**HOUSING** – Hand-formed solid copper sheet with brass screws.

**POST FITTER\*** – 4" x 4" formed solid copper fitter. Consult factory for additional fitter sizes.

**FINISH** – Natural copper with hand-applied oxide coating for pre-aged appearance. Will age naturally to a fine patina.

**GLASS** – Honey-colored iridized art glass.

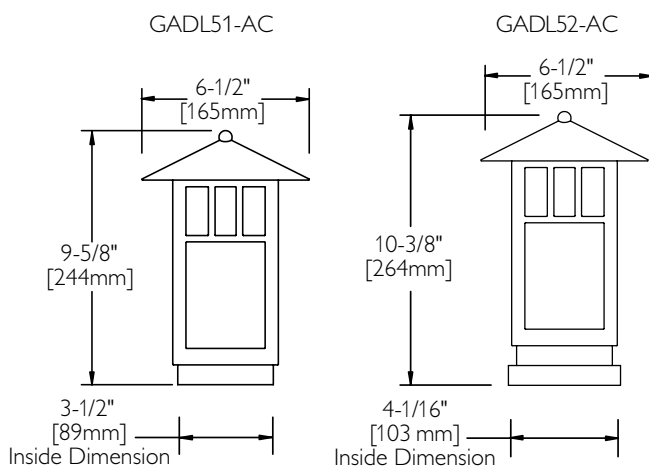
**SOCKET** – Bi-pin type (G4).

**WIRING** – Pre-wired with a 6-ft. pigtail and quick connector for easy hookup to the supply cable.

ETL, cETL Listed.

\*GADL51-AC fits over standard wooden 4" x 4" post.

\*GADL52-AC fits over standard vinyl 4" x 4" post.



## GADL61/GADL62 COPPER

**GADL61-AC** Hand-Crafted Copper

**GADL62-AC** Hand-Crafted Copper

- 12 Volt
- 35 watt maximum
- T3 Lamp (20 watt included)

**HOUSING** – Hand-formed solid copper sheet with brass screws.

**POST FITTER\*** – 6" x 6" formed solid copper fitter. Consult factory for additional fitter sizes.

**FINISH** – Natural copper with hand-applied oxide coating for pre-aged appearance. Will age naturally to a fine patina.

**GLASS** – Honey-colored iridized art glass.

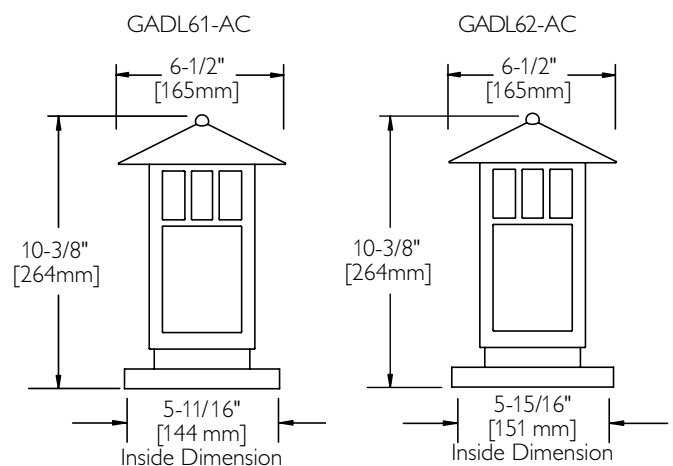
**SOCKET** – Bi-pin type (G4).

**WIRING** – Pre-wired with a 6-ft. pigtail and quick connector for easy hookup to the supply cable.

ETL, cETL Listed.

\*GADL61-AC fits over standard wooden 6" x 6" post.

\*GADL62-AC fits over standard vinyl 6" x 6" post.



# STEPLYTES



## RLL2 COPPER

### RLL2-PC Copper

- 12 Volt
- 12 watt maximum
- 93 Lamp (included)

**HOUSING** – Solid copper louvered faceplate with galvanized steel, single gang recessed back box.

**FINISH** – Natural untreated copper will patina with age.

**LENS** – Frosted, tempered glass behind louvers.

**SOCKET** – Single contact bayonet (S-8).

**MOUNTING** – Mounting hardware included.

**WIRING** – Prewired with a 6-ft. pigtail and quick connector for easy hookup to the supply cable.

Box Dimensions –  
2-1/4" W [50mm]  
3-1/2" L [89mm]  
2-3/4" D [70mm]

## RLL2 STAINLESS STEEL

### RLL2-SS Stainless Steel Brushed Matte Finish

- 12 Volt
- 12 watt maximum
- 93 Lamp (included)

**HOUSING** – Stainless steel louvered faceplate with galvanized steel, single gang recessed back box.

**FINISH** – Stainless steel brushed matte finish

**LENS** – Frosted, tempered glass behind louvers.

**SOCKET** – Single contact bayonet (S-8).

**MOUNTING** – Mounting hardware included.

**WIRING** – Prewired with a 6-ft. pigtail and quick connector for easy hookup to the supply cable.

Box Dimensions –  
2-1/4" W [50mm]  
3-1/2" L [89mm]  
2-3/4" D [70mm]

## RLL1 ALUMINUM

### RLL1-A Black

- 12 Volt
- 12 watt maximum
- 93 Lamp (included)

**HOUSING** – Die-cast aluminum faceplate with galvanized steel, single gang recessed box with stainless steel fasteners.

**FINISH** – Black thermoset powdercoat.

**LENS** – Frosted tempered glass.

**SOCKET** – Single contact bayonet (S-8).

**MOUNTING** – Mounting hardware included.

**WIRING** – Pre-wired with a 6-ft. pigtail and a quick connector for easy hookup to the supply cable.

Box Dimensions –  
2-1/4" W [50mm]  
3-1/2" L [89mm]  
2-3/4" D [70mm]

## RFL1 ALUMINUM

### RFL1-A Black

- 12 Volt
- 12 watt maximum
- 93 Lamp (included)

**HOUSING** – Die-cast aluminum faceplate with galvanized steel, single gang recessed box with stainless steel fasteners.

**FINISH** – Black thermoset powdercoat.

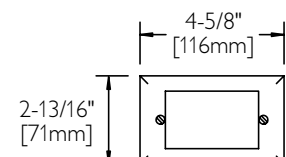
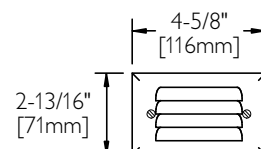
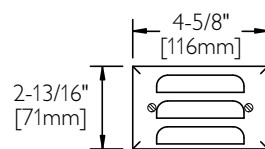
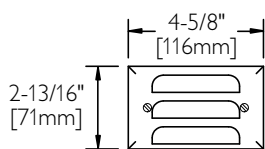
**LENS** – Frosted tempered glass.

**SOCKET** – Single contact bayonet (S-8).

**MOUNTING** – Mounting hardware included.

**WIRING** – Pre-wired with a 6-ft. pigtail and a quick connector for easy hookup to the supply cable.

Box Dimensions –  
2-1/4" W [50mm]  
3-1/2" L [89mm]  
2-3/4" D [70mm]





## RRCBL1 ALUMINUM

RRCBL1-A Black      RRCBL1-B White  
RRCBL1-H Bronze

- 12 Volt
- 50 watt maximum
- MR16 Lamp
- For masonry, concrete or deck mounting only.

**HOUSING** – One-piece cast aluminum housing, cast aluminum faceplate with stainless steel fasteners.

**FINISH** – Thermoset powdercoat in black, white or bronze.

**LENS** – Tempered glass spread lens.

**SOCKET** – Bi-pin type (GU5.3).

**WIRING** – Pre-wired with a 6-ft. cord and quick connector for easy hookup to the supply cable.

ETL, cETL Listed.



## LLL COPPER

LLL6-AC    LLL12-AC    LLL24-AC

- 12 Volt
- 10 watt maximum
- Wedge base Xenon lamp (included)

**MATERIAL** – Solid copper square extrusion with solid copper ends.

**FINISH** – Natural copper will patina with age.

**SOCKET** – Wedge base hinged for easy relamping (LLL24 has two (2) sockets each).

**REFLECTOR** – Stainless steel.

**MOUNTING** – Two (2) stainless #8 wood screws (supplied) via key slots.

**WIRING** – Pre-wired with a 6-ft. pigtail and quick connector for easy hookup to the supply cable.

ETL, cETL Listed.



## LLL STAINLESS STEEL

LLL6-SS    LLL12-SS    LLL24-SS

- 12 Volt
- 10 watt maximum
- Wedge base Xenon lamp (included)

**MATERIAL** – Stainless steel square extrusion with stainless steel ends.

**FINISH** – Stainless steel brushed matte finish.

**SOCKET** – Wedge base hinged for easy relamping (LLL24 has two (2) sockets each).

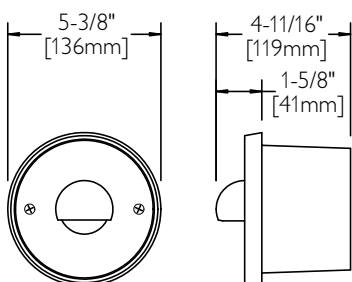
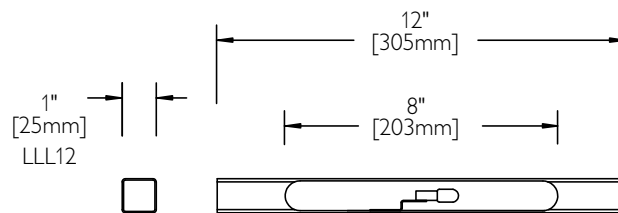
**REFLECTOR** – Stainless steel.

**MOUNTING** – Two (2) stainless #8 wood screws (supplied) via key slots.

**WIRING** – Pre-wired with a 6-ft. pigtail and quick connector for easy hookup to the supply cable.

ETL, cETL Listed.

Note: Line art shown below is LLL12 (12"). Other options available: LLL6 (6"), LLL24 (24").  
See page 42 for complete LLL series Spec drawings.



## MPLLL

Mounting Accessory for LLL Linelytes

Includes two hex nuts for easy attachment to fixture

Allows fixture to be mounted under ledge of stacked stone or brick wall without drilling

# STEPLYTES



**RRBL1** POLYCARBONATE



**RRCL1** ALUMINUM



**RRFL1** POLYCARBONATE

**HOUSING** – Die-cast aluminum back box contains less than 0.3% copper to prevent corrosion in concrete or masonry applications.

**FLANGE** – Die-cast aluminum trim contains less than 0.3% copper to resist corrosion.

**FINISH** – Aluminum parts have zinc-rich primer and thermoset powdercoat for durability.

**BUBBLE LENS** – UV stabilized injection molded clear polycarbonate.

**HORIZONTAL LOUVER** – Die-cast copper-free aluminum with 45° cutoff, with frosted tempered glass.

**OPAL LENS** – UV stabilized, injection molded polycarbonate.

**SOCKET** – Single contact bayonet (S-8) or bi-pin (G4).

**REFLECTOR** – High performance aluminum reflector for optimum symmetrical light output.

**ELECTRICAL** – Low voltage models are pre-wired with 6-ft. cord and low voltage quick connector.

**ADA COMPLIANT** – Compliant when used in indoor and outdoor wall applications.

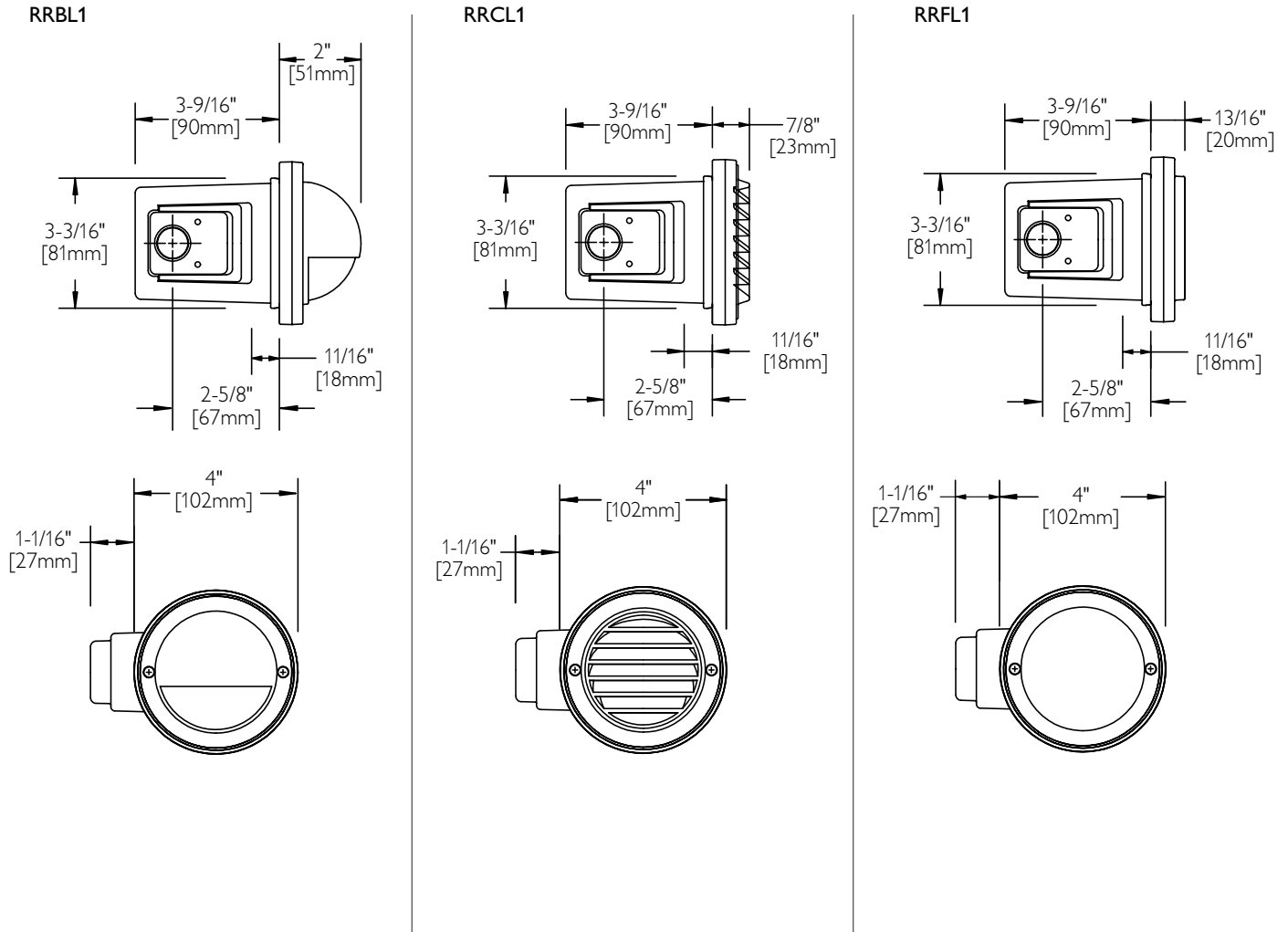
ETL, cETL Listed.

## ACCESSORIES

Catalog Number	Description
MAKM	Masonry Construction Mounting Kit
MAKNS	New Stud Wall Construction Mounting Kit
MAKES	Existing Stud Wall Construction Mounting Kit

Note: All units supplied with mounting hardware for concrete pour installation. If other mounting kits are required, order accessory above.

# STEPLYTES



## LOW VOLTAGE ROUND STEPLYTE PRODUCT SELECTION GUIDE

Catalog Number	Description	Finish	Thermal Protection Device (P)*	Max Wattage	Lamp	Socket
RRBL13-A	Recessed Steplyte, Bubble Faceplate	Black	Specify	12w	93**	Single Contact Bayonet
RRBL13-H	Recessed Steplyte, Bubble Faceplate	Bronze	Specify	12w	93**	Single Contact Bayonet
RRBL14-A	Recessed Steplyte, Bubble Faceplate	Black	Specify	10w	T3	Bi-Pin
RRBL14-H	Recessed Steplyte, Bubble Faceplate	Bronze	Specify	10w	T3	Bi-Pin
RRCL13-A	Recessed Steplyte, Louver Faceplate	Black	Specify	12w	93**	Single Contact Bayonet
RRCL13-B	Recessed Steplyte, Louver Faceplate	White	Specify	12w	93**	Single Contact Bayonet
RRCL13-H	Recessed Steplyte, Louver Faceplate	Bronze	Specify	12w	93**	Single Contact Bayonet
RRCL14-A	Recessed Steplyte, Louver Faceplate	Black	Specify	10w	T3	Bi-Pin
RRCL14-B	Recessed Steplyte, Louver Faceplate	White	Specify	10w	T3	Bi-Pin
RRCL14-H	Recessed Steplyte, Louver Faceplate	Bronze	Specify	10w	T3	Bi-Pin
RRFL13-A	Recessed Steplyte, Flat Opal Faceplate	Black	Specify	12w	93**	Single Contact Bayonet
RRFL13-H	Recessed Steplyte, Flat Opal Faceplate	Bronze	Specify	12w	93**	Single Contact Bayonet
RRFL14-A	Recessed Steplyte, Flat Opal Faceplate	Black	Specify	10w	T3	Bi-Pin
RRFL14-H	Recessed Steplyte, Flat Opal Faceplate	Bronze	Specify	10w	T3	Bi-Pin

\* Thermal protection device is required for installations in drywall, plaster, wood or other non-masonry materials. Add the suffix "P" to the catalog number to order.

\*\* Lamp included.

# STEPLYTES



**CB100** COMPOSITE



**RSBL2** POLYCARBONATE



**RSFL2** POLYCARBONATE

**HOUSING** – Die-cast aluminum back box contains less than 0.3% copper to prevent corrosion in concrete or masonry applications.

**FLANGE** – Die-cast aluminum trim contains less than 0.3% copper to resist corrosion. (Note: Flange not included with CB100 fixture.)

**FINISH** – Aluminum parts have zinc-rich primer and thermoset powdercoat for durability. Faceplates are color-impregnated.

**HORIZONTAL LOUVER FACEPLATE** – Injection molded Ryton® composite with frosted tempered glass, with stainless steel screws.

**BUBBLE FACEPLATE** – UV stabilized injection molded colored/clear polycarbonate with stainless steel screws.

**OPAL FACEPLATE** – UV stabilized, injection molded polycarbonate, reinforced with frosted tempered glass, with stainless steel screws.

**SOCKET** – Single contact bayonet (S-8) or bi-pin (G4).

**ELECTRICAL** – Low voltage models are pre-wired with 6-ft. cord and low voltage quick connector.

**ADA COMPLIANT** – Compliant when used in indoor and outdoor wall applications.

ETL, cETL Listed.

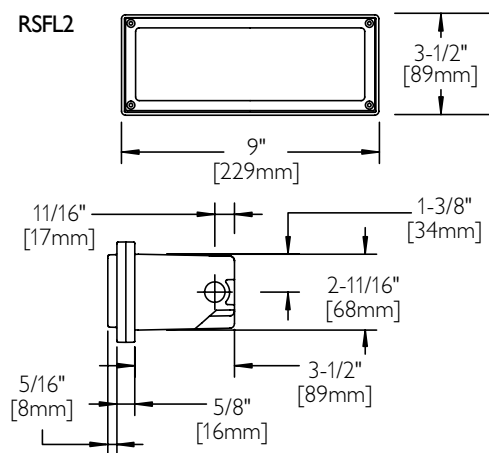
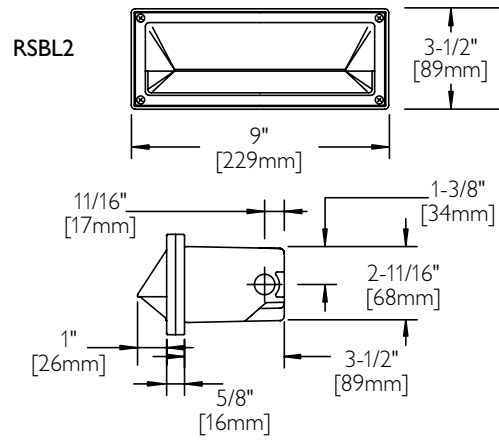
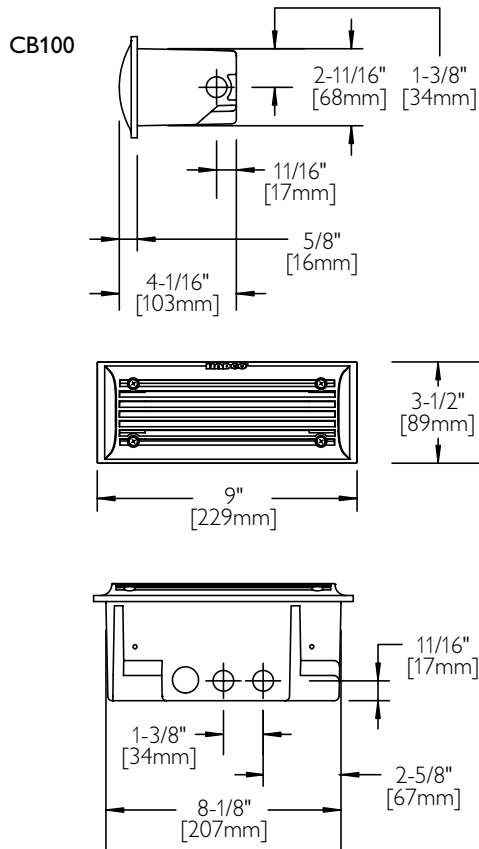


## ACCESSORIES

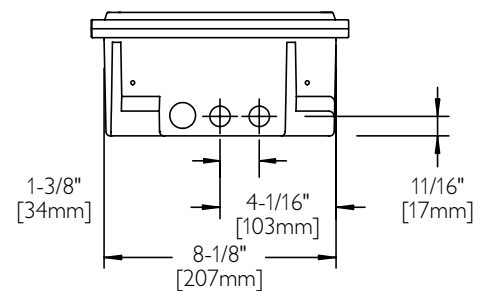
Catalog Number	Description
MAKM	Masonry Construction Mounting Kit
MAKNS	New Stud Wall Construction Mounting Kit
MAKES	Existing Stud Wall Construction Mounting Kit
MAKEC (CB100 only)	Existing Stud Wall Construction Mounting Kit

Note: All units supplied with mounting hardware for concrete pour installation. If other mounting kits are required, order accessory above.

# STEPLYTES



Bottom for RSBL2, RSFL2



## LOW VOLTAGE STEPLYTE PRODUCT SELECTION GUIDE

Catalog Number	Description	Finish	Thermal Protection Device (P)*	Max Wattage	Lamp	Socket
CB100AK5812	Recessed Steplyte, Composite Louvered Faceplate	Black	Specify	2-18w	1141**	Single Contact Bayonet
CB100HK5812	Recessed Steplyte, Composite Louvered Faceplate	Bronze	Specify	2-18w	1141**	Single Contact Bayonet
RSBL2AT5412	Recessed Steplyte, Bubble Faceplate	Black	Specify	20w	T3	Bi-Pin
RSBL2HT5412	Recessed Steplyte, Bubble Faceplate	Bronze	Specify	20w	T3	Bi-Pin
RSFL2AL5812	Recessed Steplyte, Flat Opal Faceplate	Black	Specify	2-18w	1141**	Single Contact Bayonet
RSFL2HL5812	Recessed Steplyte, Flat Opal Faceplate	Bronze	Specify	2-18w	1141**	Single Contact Bayonet
RS2-AHO***	Housing Only for Pre-Shipment	Black	n/a	n/a	n/a	n/a
RS2-HHO***	Housing Only for Pre-Shipment	Bronze	n/a	n/a	n/a	n/a

\* Thermal protection device is required for installations in drywall, plaster, wood or other non-masonry materials. Add the suffix "P" to the catalog number to order.

\*\* Lamp Included.

\*\*\* When housing only is ordered for pre-shipment, add suffix "LH" (Less Housing) to complete catalog number to order fixture without housing.

# STEPLYTES

Low Voltage Step & Deck Lighting



**RSCL2** ALUMINUM



**RSVL2** ALUMINUM



**RSCL2** CAST BRONZE



**RSVL2** CAST BRONZE



**HOUSING** – Die-cast aluminum back box contains less than 0.3% copper to prevent corrosion in concrete or masonry applications.

**FLANGE** – Die-cast aluminum trim contains less than 0.3% copper to resist corrosion.

**FINISH** – Aluminum parts have zinc-rich primer and thermoset powdercoat for durability.

**FACEPLATE** – Die-cast copper free aluminum with 45° cutoff, with frosted tempered glass. Cast bronze louver is natural cast bronze with frosted tempered glass.

**SOCKET** – Single contact bayonet (S-8) or bi-pin (G4).

**ELECTRICAL** – Low voltage models are pre-wired with 6-ft. cord and low voltage quick connector.

**ADA COMPLIANT** – Compliant when used in indoor and outdoor wall applications.

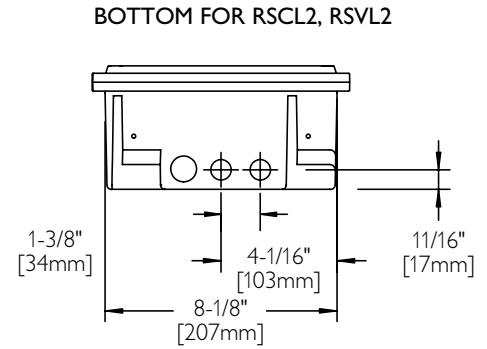
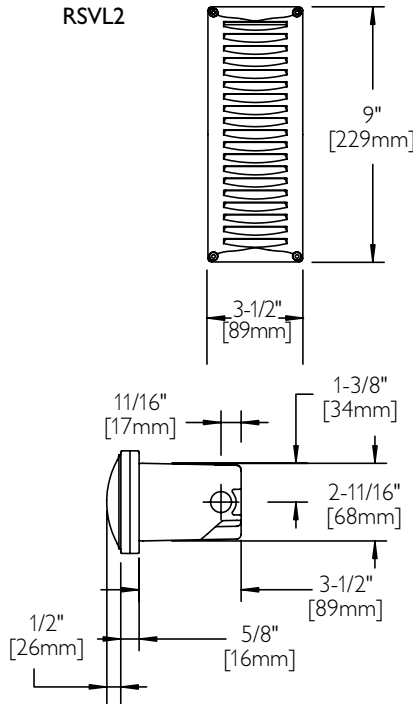
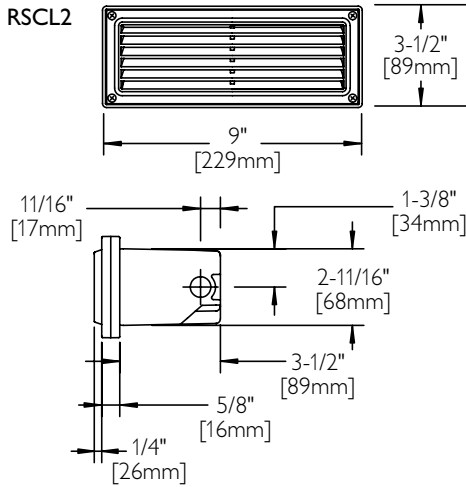
ETL, cETL Listed.

## ACCESSORIES

Catalog Number	Description
MAKM	Masonry Construction Mounting Kit
MAKNS	New Stud Wall Construction Mounting Kit
MAKES	Existing Stud Wall Construction Mounting Kit

Note: All units supplied with mounting hardware for concrete pour installation. If other mounting kits are required, order accessory above.

# STEPLYTES



## LOW VOLTAGE STEPLYTE PRODUCT SELECTION GUIDE

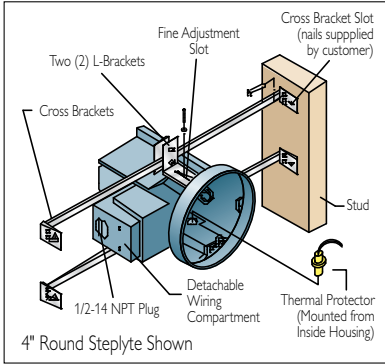
Catalog Number	Description	Finish	Thermal Protection Device (P)*	Max Wattage	Lamp	Socket
RSCL2AK5812	Recessed Steplyte, Louver Faceplate	Black	Specify	2-18w	1141**	Single Contact Bayonet
RSCL2BK5812	Recessed Steplyte, Louver Faceplate	White	Specify	2-18w	1141**	Single Contact Bayonet
RSCL2HK5812	Recessed Steplyte, Louver Faceplate	Bronze	Specify	2-18w	1141**	Single Contact Bayonet
RSCL2NK5812	Recessed Steplyte, Cast Bronze Louver Faceplate	Natural Bronze	Specify	2-18w	1141**	Single Contact Bayonet
RSVL2AK5812	Recessed Steplyte, Vertical Louver Faceplate	Black	Specify	2-18w	1141**	Single Contact Bayonet
RSVL2BK5812	Recessed Steplyte, Vertical Louver Faceplate	White	Specify	2-18w	1141**	Single Contact Bayonet
RSVL2HK5812	Recessed Steplyte, Vertical Louver Faceplate	Bronze	Specify	2-18w	1141**	Single Contact Bayonet
RSVL2NK5812	Recessed Steplyte, Cast Bronze Vertical Louver	Natural Bronze	Specify	2-18w	1141**	Single Contact Bayonet
RS2-AHO***	Housing Only for Pre-Shipment	Black	n/a	n/a	n/a	n/a
RS2-BHO***	Housing Only for Pre-Shipment	White	n/a	n/a	n/a	n/a
RS2-HHO***	Housing Only for Pre-Shipment	Bronze	n/a	n/a	n/a	n/a
RS2-NHO***	Housing Only for Pre-Shipment	Natural Bronze	n/a	n/a	n/a	n/a

\* Thermal protection device is required for installations in drywall, plaster, wood or other non-masonry materials. Add the suffix "P" to the catalog number to order.

\*\* Lamp Included.

\*\*\* When housing only is ordered for pre-shipment, add suffix "LH" (Less Housing) to complete catalog number to order fixture without housing.

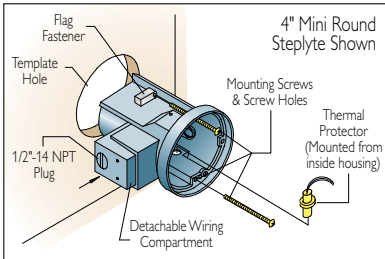
# STEPLYTE INSTALLATION



## INSTALLATION FOR NEW STUD WALL

(Use Accessory Kit #MAKNS)

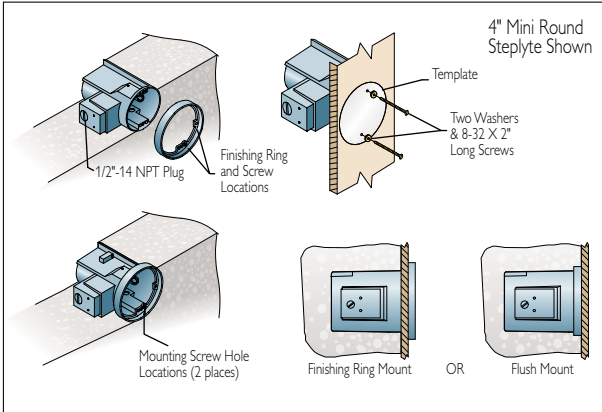
1. Using the supplied template, cut a level hole through the existing wall between studs. (Failure to level hole will cause fixture to have tilted appearance.)
2. Mount L-brackets onto top and bottom of housing with screws positioned in center of slots.
3. Insert cross brackets through L-brackets.
4. Position fixture so the back of the finishing ring extends past the studs the thickness of the wallboard.
5. Level fixture and hammer tabs on cross brackets into studs. Nail brackets securely to studs.
6. Fine adjust fixture position and tighten any loose screws.
7. Remove the 1/2" NPT plugs from the sides/bottom of the housing and pull the supply wire through into the housing.
8. Remove finishing ring by removing flathead screws.
9. Install wallboard.
10. Replace finishing ring.
11. Install thermal protector (attached to electrical chassis).



## INSTALLATION FOR EXISTING STUD WALL

(Use Accessory Kit #MAKES)

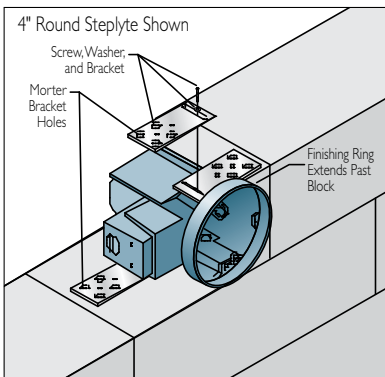
1. Using the supplied template, cut a level hole through the existing wall between studs. (Failure to level hole will cause fixture to have tilted appearance.)
2. Push the mounting screws through the housing holes and into rear channels. (Note: a thin membrane covers the housing holes and may require forcing the screws through by tapping them lightly with a hammer.)
3. Place flags flat on rear of housing. Thread screws into and through the flags.
4. Remove the 1/2" NPT plugs from the sides/bottom of the housing and pull the supply wire through into the housing. (Through wiring not recommended.)
5. Remove wiring compartment screw and wiring compartment from housing.
6. Push housing into the hole in the wall.
7. Tighten the mounting screws until the flag fasteners are drawn tight against the inner surface of the wall.
8. Replace wiring compartment in its original position and replace screw.
9. Install thermal protector (attached to electrical chassis).



## INSTALLATION FOR CONCRETE POUR

(Hardware included with each fixture)

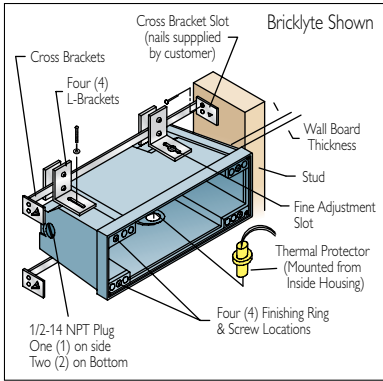
1. Level supplied template on wood support frame and drill 3/16" diameter clearance holes as marked.
2. Remove the 1/2" NPT plugs from the sides/bottom of the housing.
3. Install plastic protective shield (if supplied) into housing.
4. Pull the supply wire through into the housing. (Through wiring not recommended.) Be sure all unused electrical plugs are replaced. Finishing ring may be removed now and replaced after concrete pour.
5. Secure housing to wood support with screws supplied in hardware packet.
6. Pour concrete.
7. If finishing ring was removed, replace it and tighten flathead screws. If screws are not tight, fixture may leak.



## INSTALLATION FOR MASONRY

(Use Accessory Kit #MAKM)

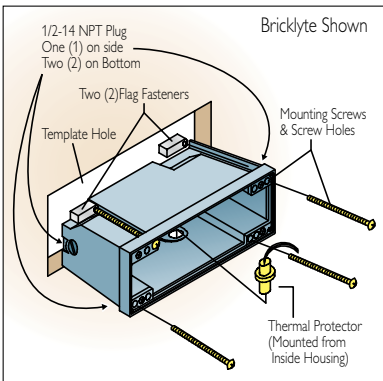
1. Install screw through washer and lower masonry brackets and into tapped housing hole on bottom of fixture.
2. Remove the 1/2" NPT plugs from the sides/bottom of the housing and pull the supply wire through into the housing.
3. Press fixture and lower masonry brackets into layer of mortar so that mortar comes through the holes of the brackets.
4. After laying another course of blocks, install the two upper masonry brackets onto the housing as in Step 1.



## INSTALLATION FOR NEW STUD WALL

(Use Accessory Kit #MAKNS)

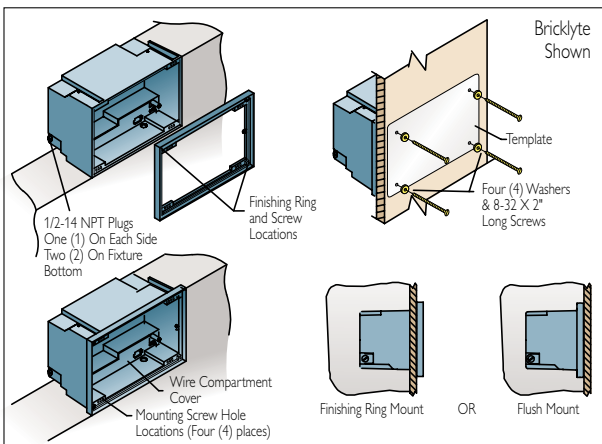
1. Using the supplied template, cut a level hole through the existing wall between studs. (Failure to level hole will cause fixture to have tilted appearance.)
2. Mount L-brackets onto top and bottom of housing with screws positioned in center of slots.
3. Insert cross brackets through L-brackets.
4. Position fixture so the back of the finishing ring extends past the studs the thickness of the wallboard.
5. Level fixture and hammer tabs on cross brackets into studs. Nail brackets securely to studs.
6. Fine adjust fixture position and tighten any loose screws.
7. Remove the 1/2" NPT plugs from the sides/bottom of the housing and pull the supply wire through into the housing. (Through wiring not recommended.)
8. Remove finishing ring by removing flathead screws.
9. Install wallboard.
10. Replace finishing ring.
11. Install thermal protector (attached to electrical chassis).



## INSTALLATION FOR EXISTING STUD WALL

(Use Accessory Kit #MAKES)

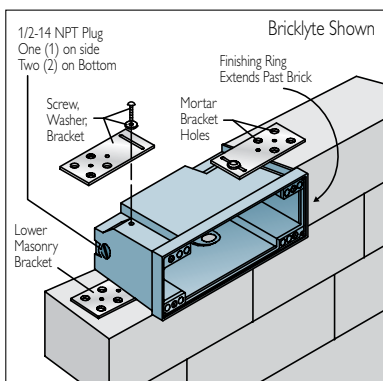
1. Using the supplied template, cut a level hole through the existing wall between studs. (Failure to level hole will cause fixture to have tilted appearance.)
2. Push the four (4) mounting screws through the housing holes and into rear channels. (Note: a thin membrane covers the housing holes and may require forcing the screws through by tapping them lightly with a hammer.)
3. Place flags flat on rear of housing. Thread screws into and through the flags.
4. Remove the 1/2" NPT plugs from the sides/bottom of the housing and pull the supply wire through into the housing.
5. Push housing into the hole in the wall.
6. Tighten the mounting screws until the flag fasteners are drawn tight against the inner surface of the wall.
7. Install thermal protector (attached to electrical chassis).



## INSTALLATION FOR CONCRETE POUR

(Hardware included with each fixture)

1. Level supplied template on wood support frame and drill four (4) 3/16" diameter clearance holes as marked.
2. Remove the 1/2" NPT plugs from the sides/bottom of the housing and pull the supply wire through into the housing.
3. Install plastic protective shield (if supplied) into housing and make sure all unused electrical plugs are replaced.
4. Finishing ring may be removed now and replaced after concrete pour.
5. Secure housing to wood support with screws supplied in hardware packet.
6. Pour concrete.
7. If finishing ring was removed, replace it and tighten flathead screws. If screws are not tight, fixture may leak.



## INSTALLATION FOR MASONRY

(Use Accessory Kit #MAKM)

1. Install screw through washer and lower masonry brackets and into tapped housing hole on bottom of fixture.
2. Remove the 1/2" NPT plugs from the sides/bottom of the housing and pull the supply wire through into the housing.
3. Press fixture and lower masonry brackets into layer of mortar so that mortar comes through the holes of the brackets.
4. After laying another course of blocks, install the two upper masonry brackets onto the housing as in Step 1.

# Low Voltage Walkway Lighting

Perhaps as important as the destination:  
the lights that show the way.

From spun solid copper that patinas  
with age to minimalist cast bronze,  
from Art Nouveau to Arts and Crafts,  
our pathlytes harmonize with a broad range  
of architectural styles.

If you're not sure about the ideal placement,  
our easy-to-understand recommended  
spacing diagrams make it easy to decide.

As for which style to pick ... it all depends  
where the path leads you.





# PATHLYTES



## CUL2 COPPER

### CUL2 Copper

- 12 Volt
- 20 watt maximum
- T3 Lamp (included)
- 1/2" NPS fitter
- Includes stem

**HOUSING** – Spun solid copper roof with solid copper stem. Machined copper threaded adapter for tool-less relamping.

**FINISH** – Natural copper will patina with age. Reflective white powdercoat on underside of roof.

**LENS** – Clear borosilicate glass.

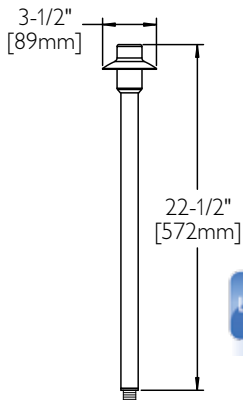
**SOCKET** – Bi-pin type (G4).

**WIRING** – Pre-wired with a 3-ft. pigtail and a quick connector for easy hookup to the supply cable.

ETL, cETL Listed.

Recommended Spacing - CUL2 - 15'  
Horizontal footcandles

Volt/Lamp	1'	2'	3'	4'	5'	6'	7'	8'	9'
12V, 20W T3	6.46	3.03	1.57	.81	.61	.54	.45	.41	.32



 See LED section for more details.



## CUL3 COPPER

### CUL3 Copper

- 12 Volt
- 20 watt maximum
- T3 Lamp (included)
- 1/2" NPS fitter
- Includes stem

**HOUSING** – Spun solid copper roof with 180° glare shield and solid copper stem. Machined copper threaded adapter for tool-less relamping.

**FINISH** – Natural copper will patina with age. Reflective white powdercoat on underside of roof and inside of glare shield.

**LENS** – Clear borosilicate glass.

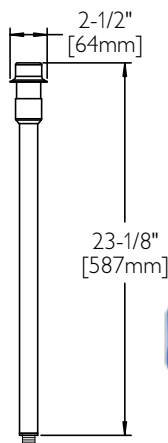
**SOCKET** – Bi-pin type (G4).

**WIRING** – Pre-wired with a 3-ft. pigtail and a quick connector for easy hookup to the supply cable.

ETL, cETL Listed.

Recommended Spacing - CUL3 - 12'  
Horizontal footcandles

Volt/Lamp	1'	2'	3'	4'	5'	6'	7'	8'	9'
12V, 20W T3	3.10	1.70	1.20	.851	.62	.49	.39	.36	.30



 See LED section for more details.



## CUL4 COPPER

### CUL4 Copper

- 12 Volt
- 20 watt maximum
- T3 Lamp (included)
- 1/2" NPS fitter
- Includes stem

**HOUSING** – Spun solid copper roof rolled under for strength with solid copper stem. Machined brass threaded adapter for tool-less relamping.

**FINISH** – Natural copper will patina with age. Reflective white powdercoat on underside of roof.

**LENS** – Frosted borosilicate glass.

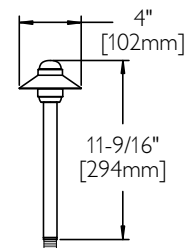
**Socket** – Bi-pin type (G4).

**WIRING** – Pre-wired with a 3-ft. pigtail and a quick connector for easy hookup to the supply cable.

ETL, cETL Listed.

Recommended Spacing - CUL4 - 11'  
Horizontal footcandles

Volt/Lamp	1'	2'	3'	4'	5'	6'	7'	8'	9'
12V, 20W T3	10.23	4.55	1.52	1.19	.87	.20	.09	-	-





## CUL6 COPPER

### CUL6 Copper

- 12 Volt
- 20 watt maximum
- T3 Lamp (included)
- 1/2" NPS fitter
- Includes stem

**HOUSING** – Spun solid copper roof rolled under for strength with solid copper stem. Machined brass threaded adapter for tool-less relamping.

**FINISH** – Natural copper will patina with age. Reflective white powdercoat on underside of roof.

**LENS** – Frosted borosilicate glass.

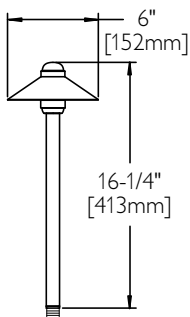
**SOCKET** – Bi-pin type (G4).

**WIRING** – Pre-wired with a 3-ft. pigtail and quick connector for easy hookup to the supply cable.

ETL, cETL Listed.

Recommended Spacing - CUL6 - 10'  
Horizontal footcandles

Volt/Lamp	1'	2'	3'	4'	5'	6'	7'	8'	9'
12V, 20W T3	9.89	5.32	2.12	1.20	.98	.52	.33	.10	-



## CUL7 COPPER / STAINLESS STEEL

### CUL7 Copper

- 12 Volt
- 20 watt maximum
- T3 Lamp (included)
- 1/2" NPS fitter
- Includes stem

**HOUSING** – Spun solid copper roof with solid copper stem. Machined copper threaded adapter for tool-less relamping.

**FINISH** – Natural copper will patina with age. Stainless Steel brushed matte finish. Reflective white powdercoat on underside of roof.

**LENS** – Clear borosilicate glass.

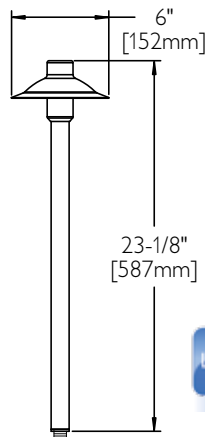
**SOCKET** – Bi-pin type (G4).

**WIRING** – Pre-wired with a 3-ft. pigtail and quick connector for easy hookup to the supply cable.

ETL, cETL Listed.

Recommended Spacing - CUL7 - 15'  
Horizontal footcandles

Volt/Lamp	1'	2'	3'	4'	5'	6'	7'	8'	9'
12V, 20W T3	9.95	4.30	2.03	1.00	.48	.26	.18	.16	.13



## CUL9 COPPER

### CUL9 Copper

- 12 Volt
- 20 watt maximum
- T3 Lamp (included)
- 1/2" NPS fitter
- Includes stem

**HOUSING** – Spun solid copper roof with solid copper stem. Machined copper threaded adapter for tool-less relamping.

**FINISH** – Natural copper will patina with age. Reflective white powdercoat on underside of roof.

**LENS** – Clear borosilicate glass.

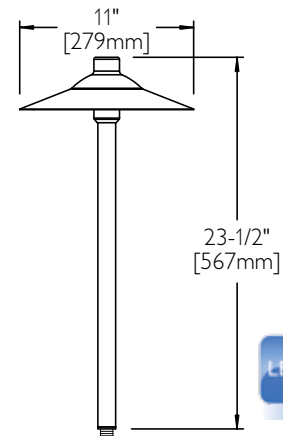
**SOCKET** – Bi-pin type (G4).

**WIRING** – Pre-wired with a 3-ft. pigtail and quick connector for easy hookup to the supply cable.

ETL, cETL Listed.

Recommended Spacing - CUL9 - 20'  
Horizontal footcandles

Volt/Lamp	1'	2'	3'	4'	5'	6'	7'	8'	9'
12V, 20W T3	9.46	4.55	2.13	1.13	.83	.74	.64	.59	.46



**PHILIPS**  
**HADCO**

# PATHLYTES



## CUL10 COPPER

**CUL10** Copper

- 12 Volt
- 20 watt maximum
- T3 Lamp (included)
- 1/2" NPS fitter
- Includes stem

**HOUSING** – Spun solid copper roof rolled under for strength with solid copper stem. Machined brass threaded adapter for tool-less relamping.

**FINISH** – Natural copper will patina with age. Reflective white powdercoat on underside of roof.

**LENS** – Frosted borosilicate glass.

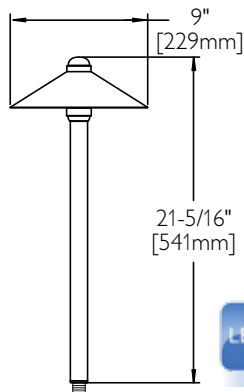
**SOCKET** – Bi-pin type (G4).

**WIRING** – Pre-wired with a 3-ft. pigtail and a quick connector for easy hookup to the supply cable.

ETL, cETL Listed.

Recommended Spacing - CUL10 - 12'  
Horizontal footcandles

Volt/Lamp	1'	2'	3'	4'	5'	6'	7'	8'	9'
12V, 20W T3	.825	.650	.324	.201	.119	.095	.061	.024	.008



## GAL3 COPPER

**GAL3-AC** Hand-Crafted Copper

- 12 Volt
- 10 watt maximum
- 10 watt Xenon lamp (included)
- 1/2" NPS fitter

**HOUSING** – Solid copper square extrusion with solid copper end and brass fitter.

**FINISH** – Natural copper will patina with age.

**SOCKET** – Wedge base, hinged for re-lamping.

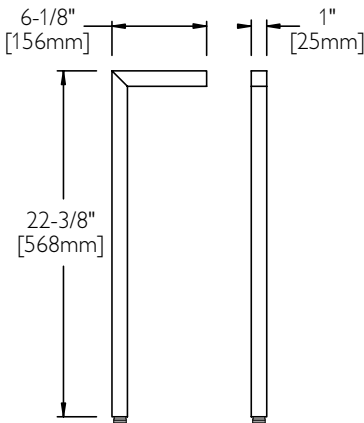
**REFLECTOR** – Stainless steel.

**WIRING** – Pre-wired with a 3-ft. pigtail and a quick connector for easy hookup to the supply cable.

ETL, cETL Listed.

Recommended Spacing - GAL3-AC-6'  
Horizontal footcandles

Volt/Lamp	1'	2'	3'	4'	5'	6'	7'	8'
12V, 10W Xenon	2.17	1.07	.54	.29	.12	-	-	-



## GAL3-SS STAINLESS STEEL

**GAL3-SS** Stainless Steel

- 12 Volt
- 10 watt maximum
- 10 watt Xenon lamp (included)
- 1/2" NPS fitter

**HOUSING** – Stainless steel square extrusion with stainless steel end and stainless steel fitter.

**FINISH** – Stainless steel. Brushed matte finish.

**SOCKET** – Wedge base, hinged for re-lamping.

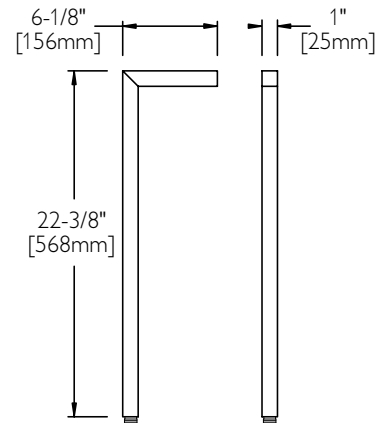
**REFLECTOR** – Stainless steel brushed matte finish.

**WIRING** – Pre-wired with a 3-ft. pigtail and a quick connector for easy hookup to the supply cable.

ETL, cETL Listed.

Recommended Spacing - GAL3-SS-6'  
Horizontal footcandles

Volt/Lamp	1'	2'	3'	4'	5'	6'	7'	8'
12V, 10W Xenon	2.17	1.07	.54	.29	.12	-	-	-





## GAML1 COPPER

### GAML1-AC Hand-Crafted Copper

- 12 Volt
- 10 watt maximum
- T3 Lamp (included)
- 1/2" NPS fitter

**HOUSING** – Hand-formed solid copper, mushrooms have unique individual tops.

**FINISH** – Natural copper with hand-applied oxide coating will age to a fine patina.

**LENS** – Frosted tempered glass sprinkler shield.

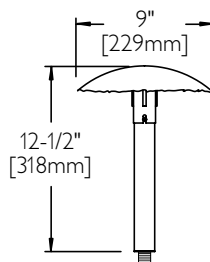
**SOCKET** – Bi-pin type (G4).

**WIRING** – Pre-wired with a 3-ft. pigtail and a quick connector for easy hookup to the supply cable.

ETL, cETL Listed.

Recommended Spacing - GAML1-AC - 8'  
Horizontal footcandles

Volt/Lamp	1'	2'	3'	4'	5'	6'	7'	8'	9'
12V, 10W T3	4.54	1.49	.49	.23	.13	-	-	-	-



## GAML2 COPPER

### GAML2-AC Hand-Crafted Copper

- 12 Volt
- 20 watt maximum
- T3 Lamp (included)
- 1/2" NPS fitter

**HOUSING** – Hand-formed solid copper, mushrooms have unique individual tops.

**FINISH** – Natural copper with hand-applied oxide coating will age to a fine patina.

**LENS** – Frosted tempered glass sprinkler shield.

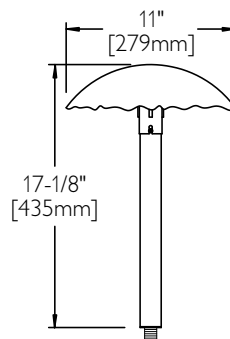
**SOCKET** – Bi-pin type (G4).

**WIRING** – Pre-wired with a 3-ft. pigtail and a quick connector for easy hookup to the supply cable.

ETL, cETL Listed.

Recommended Spacing - GAML2-AC - 12'  
Horizontal footcandles

Volt/Lamp	1'	2'	3'	4'	5'	6'	7'	8'	9'
12V, 20W T3	2.34	1.12	1.10	.55	.32	.18	.11	.05	-



## GAML3 COPPER

### GAML3-AC Hand-Crafted Copper

- 12 Volt
- 10 watt maximum
- T3 Lamp (included)
- 1/2" NPS fitter

**HOUSING** – Hand-formed solid copper and copper tubing. Mushrooms have unique individual tops. (Large mushroom is the only one that illuminates.)

**FINISH** – Natural copper with hand-applied oxide coating will age naturally to a fine patina.

**LENS** – Frosted tempered glass sprinkler shield.

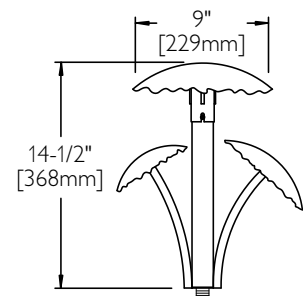
**SOCKET** – Bi-pin type (G4).

**WIRING** – Pre-wired with a 3-ft. pigtail and a quick connector for easy hookup to the supply cable.

ETL, cETL Listed.

Recommended Spacing - GAML3-AC - 8'  
Horizontal footcandles

Volt/Lamp	1'	2'	3'	4'	5'	6'	7'	8'	9'
12V, 20W T3	2.34	1.12	1.10	.55	.32	.18	.11	.05	-



# PATHLYTES



## GAML4 COPPER

**GAML4-AC** Hand-Crafted Copper

- 12 Volt
- 10 watt maximum
- T3 Lamp (included)
- 1/2" NPS fitter

**HOUSING** – Hammered copper roof with hemmed edge and copper stem.

**FINISH** – Natural copper with a hand-applied oxide coating will age naturally to a fine patina.

**LENS** – Frosted tempered glass sprinkler shield.

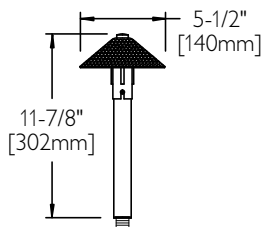
Socket – Bi-pin type (G4).

**WIRING** – Pre-wired with a 3-ft. pigtail and a quick connector for easy hookup to the supply cable.

ETL, cETL Listed.

Recommended Spacing - GAML4-AC - 8'  
Horizontal footcandles

Volt/Lamp	1'	2'	3'	4'	5'	6'	7'	8'	9'
12V, 10W T3	4.25	1.35	.50	.25	.11	-	-	-	-



## GAML5 COPPER

**GAML5-AC** Hand-Crafted Copper

- 12 Volt
- 20 watt maximum
- T3 Lamp (included)
- 1/2" NPS fitter

**HOUSING** – Hammered copper roof with hemmed edge and copper stem.

**FINISH** – Natural copper with a hand-applied oxide coating will age naturally to a fine patina.

**LENS** – Frosted tempered glass sprinkler shield.

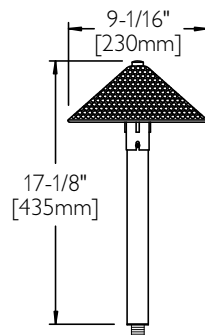
Socket – Bi-pin type (G4).

**WIRING** – Pre-wired with a 3-ft. pigtail and a quick connector for easy hookup to the supply cable.

ETL, cETL Listed.

Recommended Spacing - GAML5-AC - 12'  
Horizontal footcandles

Volt/Lamp	1'	2'	3'	4'	5'	6'	7'	8'	9'
12V, 20W T3	2.40	1.33	1.07	.57	.35	.15	.05	-	-



## GASL1 COPPER

**GASL1-AC** Hand-Crafted Copper

- 12 Volt
- 20 watt maximum
- T3 Lamp (included)
- 1/2" NPS fitter

**HOUSING** – Hand-formed solid copper and copper tubing.

**FINISH** – Natural copper with hand-applied oxide coating will age naturally to a fine patina.

**GLASS** – Opalescent glass panels.

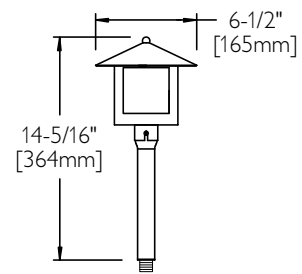
Socket – Bi-pin type (G4).

**WIRING** – Pre-wired with a 3-ft. pigtail and a quick connector for easy hookup to the supply cable.

ETL, cETL Listed.

Recommended Spacing - GASL1-AC - 9'  
Horizontal footcandles

Volt/Lamp	1'	2'	3'	4'	5'	6'	7'	8'	9'
12V, 20W T3	1.97	.53	.22	.14	.09	.07	.04	-	-





## GASL7 COPPER

### GASL7-AC Hand-Crafted Copper

- 12 Volt
- 18 watt maximum
- T5 Lamp (included)
- 1/2" NPS fitter

**HOUSING** – Hand-formed solid copper and copper tubing.

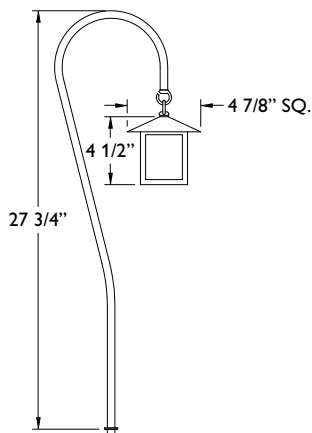
**FINISH** – Natural copper with hand-applied oxide coating will age naturally to a fine patina.

**GLASS** – Honey-colored iridized art glass.

**SOCKET** – Wedge base (T5).

**WIRING** – Pre-wired with a 3-ft. pigtail and a quick connector for easy hookup to the supply cable.

ETL, cETL Listed.



## GASL4 COPPER

### GASL4-AC Hand-Crafted Copper

- 12 Volt
- 27 watt maximum
- 1156 Lamp (included)
- 1/2" NPS fitter

**HOUSING** – Hand-formed solid copper and copper tubing.

**FINISH** – Natural copper with hand-applied oxide coating will age naturally to a fine patina.

**GLASS** – Honey-colored iridized art glass.

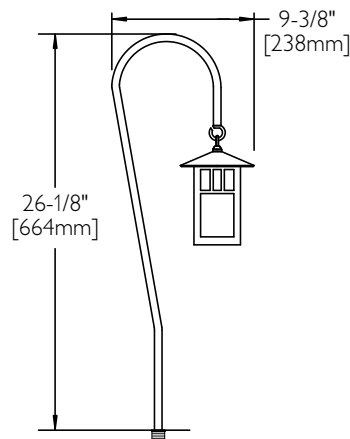
**SOCKET** – Single contact bayonet (S-8).

**WIRING** – Pre-wired with a 3-ft. pigtail and a quick connector for easy hookup to the supply cable.

ETL, cETL Listed.

Recommended Spacing - GASL4-AC - 10'  
Horizontal footcandles

Volt/Lamp	1'	2'	3'	4'	5'	6'	7'	8'	9'
12V, 20W 1156	9.62	1.52	.46	.17	.10	.05	.03	-	-



## GASL5 COPPER

### GASL5-AC Hand-Crafted Copper

- 12 Volt
- 20 watt maximum
- T3 Lamp (included)
- 1/2" NPS fitter

**HOUSING** – Hand formed solid copper sheet with brass screws.

**FITTER** – Stainless Steel 1/2" NPS fitter recessed into bollard for clean appearance.

**FINISH** – Natural copper with hand-applied oxide coating will age naturally to a fine patina.

**GLASS** – Honey-colored iridized art glass.

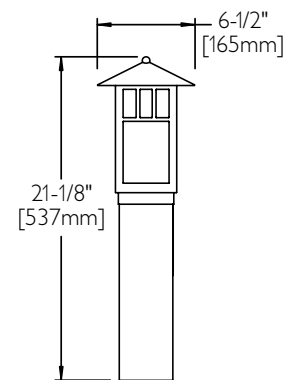
**SOCKET** – Bi-pin type (G4).

**WIRING** – Pre-wired with a 6-ft. pigtail and quick connector for easy hookup to the supply cable.

ETL, cETL Listed.

Recommended Spacing - GASL5-AC - 10'  
Horizontal footcandles

Volt/Lamp	1'	2'	3'	4'	5'	6'	7'	8'	9'
12V, 20W T3	1.89	.90	.35	.19	.10	.05	-	-	-



# PATHLYTES



## GASL6 COPPER

**GASL6-AC** Hand-Crafted Copper

- 12 Volt
- 18 watt maximum
- T5 Lamp (included)
- 1/2" NPS fitter

**HOUSING** – Hand-formed solid copper and copper tubing.

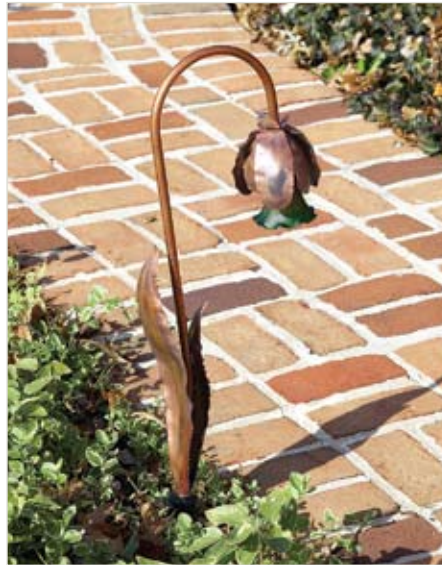
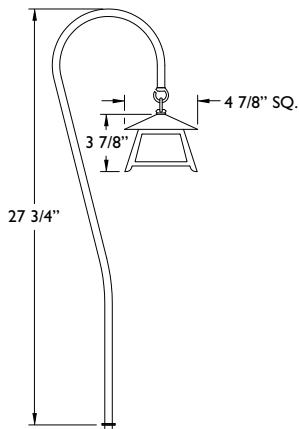
**FINISH** – Natural copper with hand-applied oxide coating will age naturally to a fine patina.

**GLASS** – Honey-colored iridized art glass.

**SOCKET** – Wedge base (T5).

**WIRING** – Pre-wired with a 3-ft. pigtail and a quick connector for easy hookup to the supply cable.

ETL, cETL Listed.



## GAGL1 COPPER

**GAGL1-AC** Hand-Crafted Copper

- 12 Volt
- 27 watt maximum
- 1156 Lamp (included)
- 1/2" NPS fitter

**HOUSING** – Hand-formed solid copper and copper tubing with individually shaped leaves.

**FINISH** – Natural copper with hand-applied oxide coating will age naturally to a fine patina.

**GLASS** – Hand-blown amber glass shades with green accent.

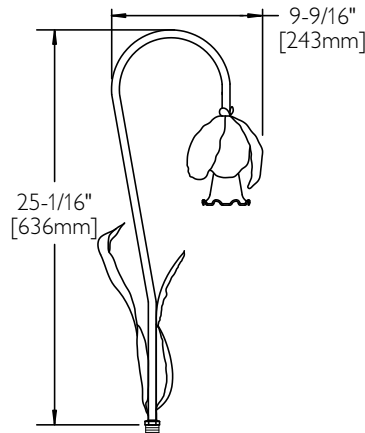
**SOCKET** – Single contact bayonet (S-8).

**WIRING** – Pre-wired with a 3-ft. pigtail and a quick connector for easy hookup to the supply cable.

ETL, cETL Listed.

Recommended Spacing - GAGL1-AC - 10'  
Horizontal footcandles

Volt/Lamp	1'	2'	3'	4'	5'	6'	7'	8'	9'
12V, 27W 1156	10.7	1.05	.42	.2	.1	.06	.04	.02	-



## GATL1 COPPER

**GATL1-AC** Hand-Crafted Copper

- 12 Volt
- 27 watt maximum
- 1156 Lamp (included)
- 1/2" NPS fitter

**HOUSING** – Hand-formed solid copper and copper tubing with individually shaped leaves.

**FINISH** – Natural copper with hand-applied oxide coating will age naturally to a fine patina.

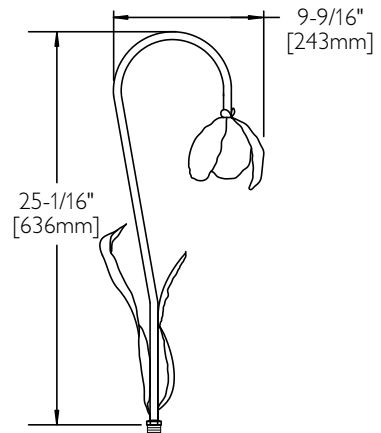
**SOCKET** – Single contact bayonet (S-8).

**WIRING** – Pre-wired with a 3-ft. pigtail and a quick connector for easy hookup to the supply cable.

ETL, cETL Listed.

Recommended Spacing - GATL1-AC - 14'  
Horizontal footcandles

Volt/Lamp	1'	2'	3'	4'	5'	6'	7'	8'	9'
12V, 27W 1156	9.96	3.93	1.54	.71	.39	.24	.16	.11	-





## EL2 BRASS

### EL2-N Natural Brass

- 12 Volt
- 10 watt maximum
- T3 Lamp (included)
- 1/2" NPS fitter

**HOUSING** – Die-cast brass with fully-adjustable brass yoke-mounted arm, brass stem and screws. Includes 30° flood aluminum reflector.

**FINISH** – Natural brass.

**LENS** – Clear tempered glass.

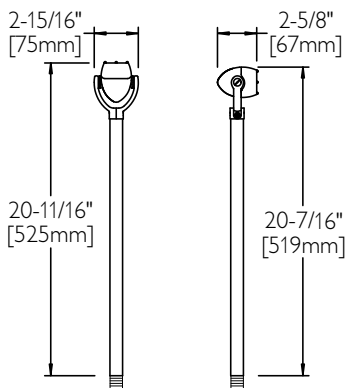
**SOCKET** – Bi-pin type (G4).

**WIRING** – Pre-wired with a 3-ft. pigtail and a quick connector for easy hookup to the supply cable.

ETL, cETL Listed.

Recommended Spacing - EL2-N - 8'  
Horizontal footcandles

Volt/Lamp	1'	2'	3'	4'	5'	6'	7'	8'	9'
12V, 10W T3	15.29	6.51	3.4	2.59	.68	.39	.21	-	-



## SPL5 BRASS

### SPL5-N Natural Brass

- 12 Volt
- 20 watt maximum
- T3 Lamp (included)
- 1/2" NPS fitter

**HOUSING** – Die-cast brass top, brass stem and glass guard with spun brass shade. (Natural brass fixture has natural spun copper shade.) Lens and shade assembly is twist-lock for tool-less relamping.

**FINISH** – Natural brass with natural copper shade.

**LENS** – Frosted tempered glass.

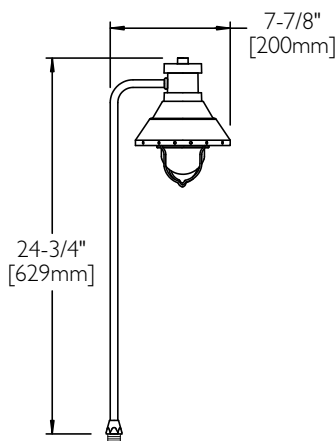
**SOCKET** – Bi-pin type (G4).

**WIRING** – Pre-wired with a 3-ft. pigtail and a quick connector for easy hookup to the supply cable.

ETL, cETL Listed.

Recommended Spacing - SPL5-N - 10'  
Horizontal footcandles

Volt/Lamp	1'	2'	3'	4'	5'	6'	7'	8'	9'
12V, 20W T3	11.67	4.97	2.34	.86	.35	.19	.09	-	-



## SML2 ALUMINUM

### SML2-A Black (matte)    SML2-G Verde (matte)

### SML2-H Bronze (matte)

- 12 Volt
- 18 watt maximum
- T5 Lamp (included)
- 1/2" NPS fitter

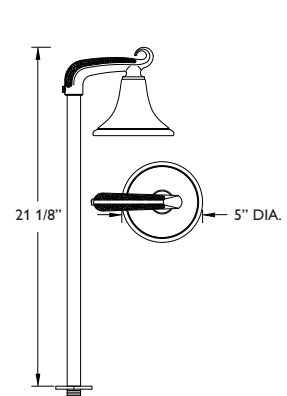
**HOUSING** – Spun copper brushed shade with clear coat. Cast aluminum bracket arm. Aluminum stem included.

**FINISH** – Black, bronze, hand-rubbed verde antiqued over black thermoset powdercoat.

**SOCKET** – Wedge base (T5).

**WIRING** – Pre-wired with a 3-ft. pigtail and a quick connector for easy hookup to the supply cable.

ETL, cETL Listed.



# PATHLYTES



## SML3 ALUMINUM

SML3-A Black (*matte*)    SML3-G Verde (*matte*)  
 SML3-H Bronze (*matte*)

- 12 Volt
- 18 watt maximum
- T5 Xenon Lamp (included)
- 1/2" NPS fitter

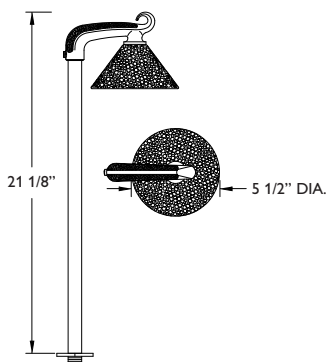
**HOUSING** – Hammered copper brushed shade with clear coat. Cast aluminum bracket arm. Aluminum stem included.

**FINISH** – Black, bronze, hand-rubbed verde antiqued over black thermoset powdercoat.

**SOCKET** – Wedge base (T5).

**WIRING** – Pre-wired with a 3-ft. pigtail and a quick connector for easy hookup to the supply cable.

ETL, cETL Listed.



## MUL4 ALUMINUM

MUL4-A Black    MUL4-G Verde  
 MUL4-H Bronze    MUL4-U Sienna

- MUL5-T Speckled Stone
- 12 Volt
  - 20 watt maximum
  - T3 Lamp (included)
  - 1/2" NPS fitter

**HOUSING** – Cast aluminum with stainless steel hinges and spring latch providing tool-less entry.

**FINISH** – Black or bronze thermoset, hand-rubbed verde antiqued over black thermoset powdercoat, speckled stone or sienna thermoset powdercoat.

**LENS** – Frosted, tempered glass sprinkler shield with molded silicone gaskets.

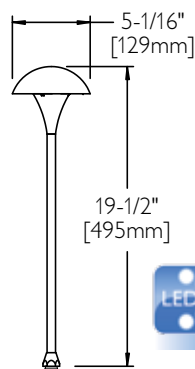
**SOCKET** – Bi-pin type (G4).

**WIRING** – Pre-wired with a 3-ft. pigtail and a quick connector for easy hookup to the supply cable.

ETL, cETL Listed.

Recommended Spacing - MUL4 - 10'  
 Horizontal footcandles

Volt/Lamp	1'	2'	3'	4'	5'	6'	7'	8'	9'
12V, 20W T3	9.62	1.52	.46	.17	.10	.05	.03	-	-



**LED**  
 See LED section for more details.



## MUL4 BRASS

MUL4-N Natural Brass  
 MUL4-OB Oiled Brass

- 12 Volt
- 20 watt maximum
- T3 Lamp (included)
- 1/2" NPS fitter

**HOUSING** – Die-cast brass with stainless steel hinges and spring latch, providing tool-less entry.

**FINISH** – Natural brass or oiled brass.

**LENS** – Frosted, tempered glass sprinkler shield with molded silicone gaskets.

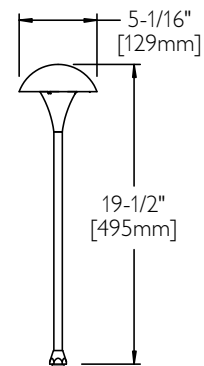
**SOCKET** – Bi-pin type (G4).

**WIRING** – Pre-wired with a 3-ft. pigtail and a quick connector for easy hookup to the supply cable.

ETL, cETL Listed.

Recommended Spacing - MUL4 - 10'  
 Horizontal footcandles

Volt/Lamp	1'	2'	3'	4'	5'	6'	7'	8'	9'
12V, 20W T3	9.62	1.52	.46	.17	.10	.05	.03	-	-





## MUL5 ALUMINUM

**MUL5-A** Black      **MUL5-G** Verde

**MUL5-H** Bronze      **MUL5-U** Sienna

**MUL5-T** Speckled Stone

- 12 Volt
- 35 watt maximum
- T3 Lamp (included)
- 1/2" NPS fitter

**HOUSING** – Cast aluminum with stainless steel hinges and spring latch providing tool-less entry.

**FINISH** – Black or bronze thermoset, hand-rubbed verde antiqued over black thermoset powdercoat, speckled stone or sienna thermoset powdercoat.

**LENS** – Frosted, tempered glass sprinkler shield with molded silicone gaskets.

**SOCKET** – Bi-pin (G4).

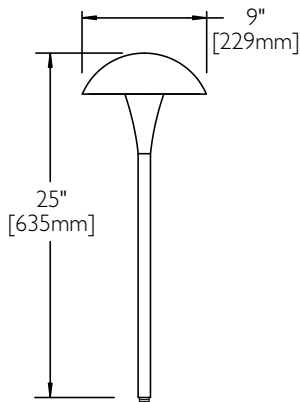
**WIRING** – Pre-wired with a 3-ft. pigtail and a quick connector for easy hookup to the supply cable.

ETL, cETL Listed.

Recommended Spacing - MUL5 - 10'

Horizontal footcandles

Volt/Lamp	1'	2'	3'	4'	5'	6'	7'	8'	9'
12V, 35W T3	9.62	1.52	.46	.17	.10	.05	.03	-	-



## MUL5 BRASS

**MUL5-N** Natural Brass

**MUL5-OB** Oiled Brass

- 12 Volt
- 35 watt maximum
- T3 Lamp (included)
- 1/2" NPS fitter

**HOUSING** – Die-cast brass with stainless steel hinges and spring latch, providing tool-less entry.

**FINISH** – Natural brass or oiled brass.

**LENS** – Frosted, tempered glass sprinkler shield with molded silicone gaskets.

**SOCKET** – Bi-pin (G4).

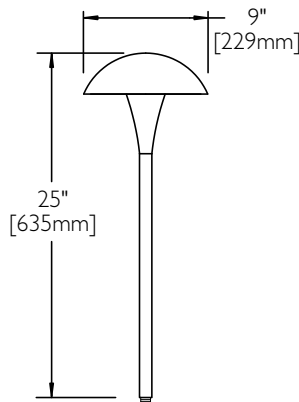
**WIRING** – Pre-wired with a 3-ft. pigtail and a quick connector for easy hookup to the supply cable.

ETL, cETL Listed.

Recommended Spacing - MUL5 - 10'

Horizontal footcandles

Volt/Lamp	1'	2'	3'	4'	5'	6'	7'	8'	9'
12V, 35W T3	9.62	1.52	.46	.17	.10	.05	.03	-	-



## MML2 ALUMINUM

**MML2-H** Bronze (*matte*)

**MML2-G** Verde (*matte*)

- 12VOLT
- 18 watt maximum
- T5 Lamp (included)
- 1/2" NPS fitter

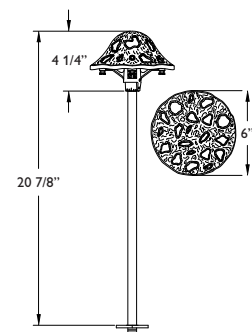
**HOUSING** – Cast aluminum roof and bracket. Aluminum stem included.

**FINISH** – Bronze and hand-rubbed verde antiqued over black thermoset powdercoat.

**SOCKET** – Wedge base (T5).

**WIRING** – Pre-wired with a 3-ft. pigtail and a quick connector for easy hookup to the supply cable.

ETL, cETL Listed.



**PHILIPS**  
**HADCO**

# PATHLYTES



## MLL2 ALUMINUM

**MLL2-H** Bronze (*matte*)

**MLL2-G** Verde (*matte*)

- 12Volt
- 18 watt maximum
- T5 Lamp (included)
- 1/2" NPS fitter

**HOUSING** – Cast aluminum roof and bracket. Aluminum stem included.

**FINISH** – Bronze and hand-rubbed verde antiqued over black thermoset powdercoat.

**SOCKET** – Wedge base (T5).

**WIRING** – Pre-wired with a 3-ft. pigtail and a quick connector for easy hookup to the supply cable.

ETL, cETL Listed.



## AL4 Aluminum

**AL4-G** Verde

**AL4-OM** Old Marble

- 12Volt
- 20 watt maximum
- T3 Lamp (included)
- 1/2" NPS fitter

**HOUSING** – Die-cast aluminum with stainless steel hinges and spring latch, providing tool-less entry.

**FINISH** – Verde is hand-rubbed over black thermoset powdercoat, old marble is hand applied over dark red thermoset powdercoat.

**LENS** – Frosted, tempered glass sprinkler shield with molded silicone gaskets.

**SOCKET** – Bi-pin type (G4).

**WIRING** – Pre-wired with a 3-ft. pigtail and a quick connector for easy hookup to the supply cable.

ETL, cETL Listed.



## AL41 ALUMINUM

**AL41-G** Verde

**AL41-OM** Old Marble

- 12Volt
- 20 watt maximum
- T3 Lamp (included)
- 1/2" NPS fitter

**HOUSING** – Die-cast aluminum with stainless steel hinges and spring latch, providing tool-less entry.

**FINISH** – Verde is hand-rubbed over black thermoset powdercoat, old marble is hand applied over dark red thermoset powdercoat.

**FINIAL** – Clear seeded glass finial sparkles when illuminated.

**LENS** – Frosted, tempered glass sprinkler shield with molded silicone gaskets.

**SOCKET** – Bi-pin type (G4).

**WIRING** – Pre-wired with a 3-ft. pigtail and a quick connector for easy hookup to the supply cable.

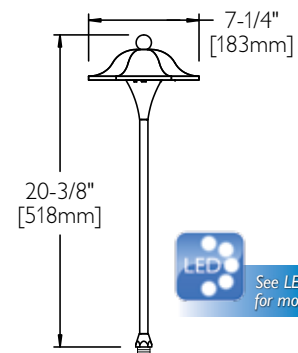
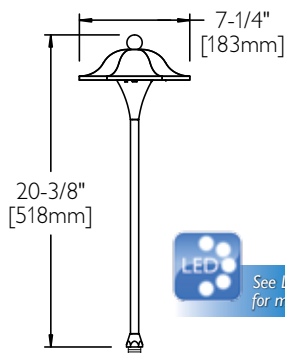
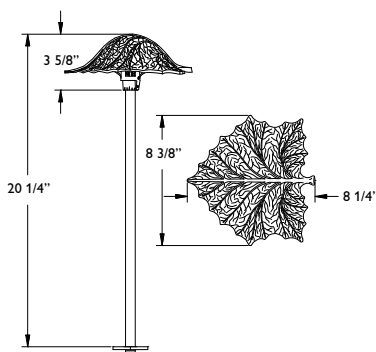
ETL, cETL Listed.

Recommended Spacing - AL4 - 10'  
Horizontal footcandles

Volt/Lamp	1'	2'	3'	4'	5'	6'	7'	8'	9'
12V, 20W T3	9.12	1.68	.55	.20	.11	.07	-	-	-

Recommended Spacing - AL41 - 10'  
Horizontal footcandles

Volt/Lamp	1'	2'	3'	4'	5'	6'	7'	8'	9'
12V, 20W T3	9.12	1.68	.55	.20	.11	.07	-	-	-





## TRL4 ALUMINUM

**TRL4-G** Verde      **TRL4-T** Speckled Stone

**TRL4-U** Sienna

- 12 Volt
- 20 watt maximum
- T3 Lamp (included)
- 1/2" NPS fitter

**HOUSING** – Die-cast aluminum with stainless steel hinges and spring latch, providing tool-less entry.

**FINISH** – Hand-rubbed verde antiqued over black thermoset powdercoat, speckled stone, or sienna thermoset powdercoat.

**LENS** – Frosted tempered glass sprinkler shield with molded silicone gaskets.

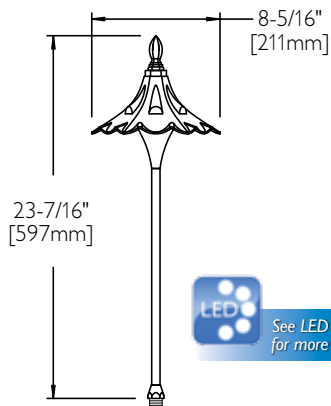
**SOCKET** – Bi-pin type (G-4).

**WIRING** – Pre-wired with a 3-ft. pigtail and a quick connector for easy hookup to the supply cable.

ETL, cETL Listed.

Recommended Spacing - TRL4 - 10'  
Horizontal footcandles

Volt/Lamp	1'	2'	3'	4'	5'	6'	7'	8'	9'
12V, 20W T3	9.62	1.52	.46	.17	.10	.05	.03	-	-



**LED**  
See LED section for more details.



## TRL5 ALUMINUM

**TRL5-G** Verde

- 12 Volt
- 35 watt maximum
- T3 Lamp (included)
- 1/2" NPS fitter

**HOUSING** – Die-cast aluminum with stainless steel hinges and spring latch, providing tool-less entry.

**FINISH** – Hand-rubbed verde antiqued over black thermoset powdercoat.

**LENS** – Frosted tempered glass sprinkler shield with molded silicone gaskets.

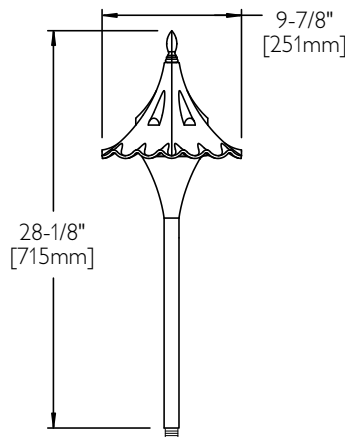
**SOCKET** – Bi-pin type (G-4).

**WIRING** – Pre-wired with a 3-ft. pigtail and a quick connector for easy hookup to the supply cable.

ETL, cETL Listed.

Recommended Spacing - TRL5 - 10'  
Horizontal footcandles

Volt/Lamp	1'	2'	3'	4'	5'	6'	7'	8'	9'
12V, 20W T3	9.62	1.512	.46	.17	.10	.05	.03	-	-



## MSL12 ALUMINUM

**MSL12-A** Black

**MSL12-G** Verde

**MSL12-H** Bronze

- 12 Volt
- 27 watt maximum
- 1156 Lamp (included)
- 1/2" NPS fitter

**HOUSING** – Cast aluminum with hidden fasteners and aluminum stem.

**FINISH** – Black thermoset, hand-rubbed verde antiqued over black thermoset powdercoat, or bronze thermoset powdercoat.

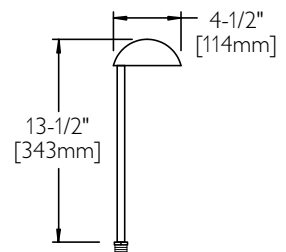
**SOCKET** – Single contact bayonet (S-8).

**WIRING** – Pre-wired with a 3-ft. pigtail and a quick connector for easy hookup to the supply cable.

ETL, cETL Listed.

Recommended Spacing - MSL12 - 8'  
Horizontal footcandles

Volt/Lamp	1'	2'	3'	4'	5'	6'	7'	8'	9'
12V, 27W 1156	26.0	4.7	1.2	.3	-	-	-	-	-



**PHILIPS**  
**HADCO**

# PATHLYTES



## MSL18 ALUMINUM

**MSL18-A** Black      **MSL18-G** Verde

**MSL18-H** Bronze

- 12 Volt
- 27 watt maximum
- 1156 Lamp (included)
- 1/2" NPS fitter

**HOUSING** – Cast aluminum with hidden fasteners and aluminum stem.

**FINISH** – Black thermoset, hand-rubbed verde antiqued over black thermoset powdercoat, or bronze thermoset powdercoat.

**SOCKET** – Single contact bayonet (S-8).

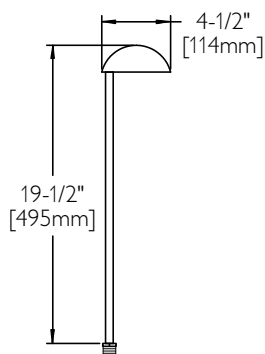
**WIRING** – Pre-wired with a 3-ft. pigtail and a quick connector for easy hookup to the supply cable.

ETL, cETL Listed.

Recommended Spacing - MSL18 - 9'

Horizontal footcandles

Volt/Lamp	1'	2'	3'	4'	5'	6'	7'	8'	9'
12V, 27W 1156	18.8	5.9	1.7	.5	.05	-	-	-	-



## CPL12 ALUMINUM

**CPL12-A** Black      **CPL12-H** Bronze

**CPL12-T** Speckled Stone

- 12 Volt
- 20 watt maximum
- T3 Lamp (included)
- 1/2" NPS fitter

**HOUSING** – Die-cast aluminum with twist-lock top for tool-less relamping. Built-in segmented reflector casts a high-angle distribution.

**FINISH** – Black, bronze or speckled stone thermoset powdercoat.

**LENS** – Clear tempered glass.

**SOCKET** – Bi-pin type (G4).

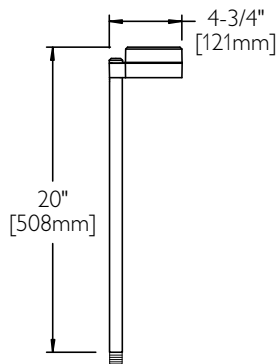
**WIRING** – Pre-wired with a 3-ft. pigtail and a quick connector for easy hookup to the supply cable.

ETL, cETL Listed.

Recommended Spacing - CPL12 - 10'

Horizontal footcandles

Volt/Lamp	1'	2'	3'	4'	5'	6'	7'	8'	9'
12V, 20W T3	12.5	4.89	3.58	1.90	.27	.15	.07	-	-



## CPL21 ALUMINUM

**CPL21-A** Black      **CPL21-H** Bronze

**CPL21-T** Speckled Stone

- 12 Volt
- 20 watt maximum
- T3 Lamp (included)
- 1/2" NPS fitter

**HOUSING** – Die-cast aluminum with twist-lock top for tool-less relamping. Built-in segmented reflector casts a high-angle distribution.

**FINISH** – Black, bronze or speckled stone thermoset powdercoat.

**LENS** – Clear tempered glass.

**SOCKET** – Bi-pin type (G4).

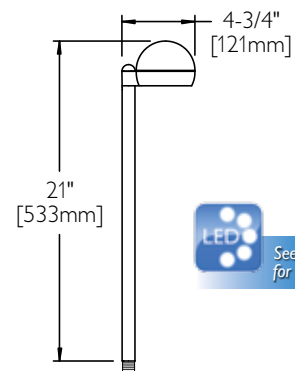
**WIRING** – Pre-wired with a 3-ft. pigtail and a quick connector for easy hookup to the supply cable.

ETL, cETL Listed.

Recommended Spacing - CPL21 - 10'

Horizontal footcandles

Volt/Lamp	1'	2'	3'	4'	5'	6'	7'	8'	9'
12V, 20W T3	12.5	4.89	3.58	1.90	.27	.15	.07	-	-





## SPL1 ALUMINUM

**SPL1-A** Black      **SPL1-G** Verde

- 12 Volt
- 27 watt maximum
- 1156 Lamp (included)
- 1/2" NPS fitter

**HOUSING** – Single-piece cast aluminum with aluminum stem included.

**FINISH** – Black thermoset or hand-rubbed verde over black thermoset powdercoat.

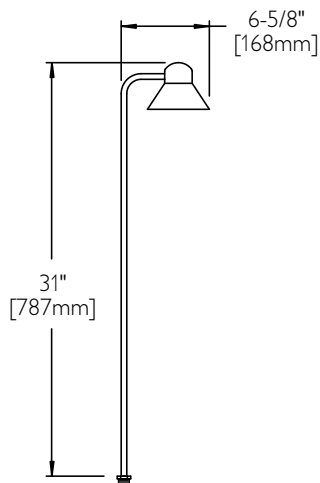
**SOCKET** – Single contact bayonet (S-8).

**WIRING** – Pre-wired with a 3-ft. pigtail and a quick connector for easy hookup to the supply cable.

ETL, cETL Listed.

Recommended Spacing - SPL1 - 15'  
Horizontal footcandles

Volt/Lamp	1'	2'	3'	4'	5'	6'	7'	8'	9'
12V, 27W 1156	5.0	2.6	1.9	1.5	1.2	.5	.3	.1	-



## SPL18 ALUMINUM

**SPL18-A** Black      **SPL18-G** Verde

- 12 Volt
- 27 watt maximum
- 1156 Lamp (included)
- 1/2" NPS fitter

**HOUSING** – Single-piece cast aluminum with aluminum stem included.

**FINISH** – Black thermoset or hand-rubbed verde over black thermoset powdercoat.

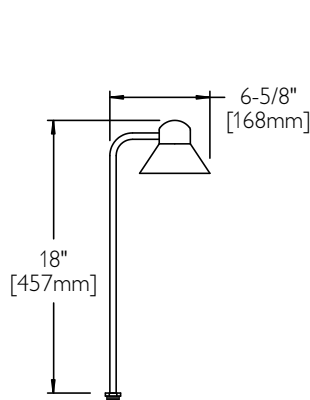
**SOCKET** – Single contact bayonet (S-8).

**WIRING** – Pre-wired with a 3-ft. pigtail and a quick connector for easy hookup to the supply cable.

ETL, cETL Listed.

Recommended Spacing - SPL18 - 13'  
Horizontal footcandles

Volt/Lamp	1'	2'	3'	4'	5'	6'	7'	8'	9'
12V, 27W 1156	20.7	5.6	1.8	.7	.4	.25	.1	.05	-



## SML4 ALUMINUM

**SML4-A** Black (*matte*)      **SML4-H** Bronze (*matte*)

- 12 Volt
- 18 watt maximum
- T5 Lamp (included)
- 1/2" NPS fitter

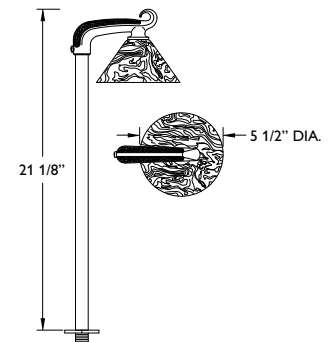
**HOUSING** – Acrylic (alabaster) shade. Cast aluminum bracket arm. Aluminum stem included.

**FINISH** – Black or bronze thermoset powdercoat.

**SOCKET** – Wedge base (T5).

**WIRING** – Pre-wired with a 3-ft. pigtail and a quick connector for easy hookup to the supply cable.

ETL, cETL Listed.



# PATHLYTES



## SML5 ALUMINUM

**SML5-A** Black (*matte*)

**SML5-H** Bronze (*matte*)

- 12 Volt
- 18 watt maximum
- T5 Lamp (included)
- 1/2" NPS fitter

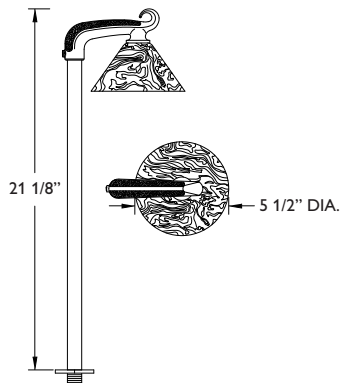
**HOUSING** – Acrylic (tea stain) shade. Cast aluminum bracket arm. Aluminum stem included.

**FINISH** – Black or bronze thermoset powdercoat.

**SOCKET** – Wedge base (T5).

**WIRING** – Pre-wired with a 3-ft. pigtail and a quick connector for easy hookup to the supply cable.

ETL, cETL Listed.



## TUL1 ALUMINUM

**TUL1-G** Verde

- 12 Volt
- 27 watt maximum
- 1156 Lamp (included)
- 1/2" NPS fitter

**HOUSING** – One-piece cast aluminum with aluminum stem.

**FINISH** – Hand-rubbed verde antiqued over black thermoset powdercoat.

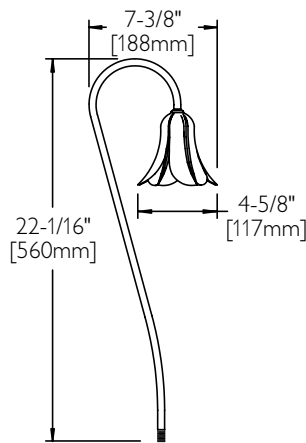
**SOCKET** – Single contact bayonet (S-8).

**WIRING** – Pre-wired with a 3-ft. pigtail and a quick connector for easy hookup to the supply cable.

ETL, cETL Listed.

Recommended Spacing - TUL1-G - 8'  
Horizontal footcandles

Volt/Lamp	1'	2'	3'	4'	5'	6'	7'	8'	9'
12V, 27W 1156	8.7	2.7	.9	.3	.05	-	-	-	-



## TUL1 CAST BRONZE

**TUL1-N** Natural Cast Bronze

- 12 Volt
- 27 watt maximum
- 1156 Lamp (included)
- 1/2" NPS fitter

**HOUSING** – One-piece cast bronze with brass stem.

**FINISH** – Natural cast bronze to age over time.

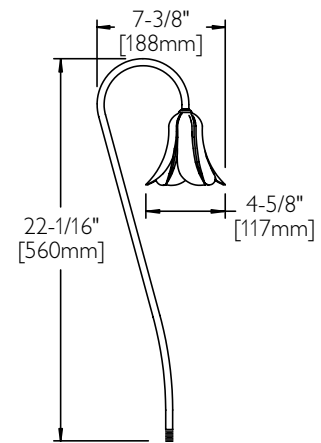
**SOCKET** – Single contact bayonet (S-8).

**WIRING** – Pre-wired with a 3-ft. pigtail and a quick connector for easy hookup to the supply cable.

ETL, cETL Listed.

Recommended Spacing - TUL1-N - 8'  
Horizontal footcandles

Volt/Lamp	1'	2'	3'	4'	5'	6'	7'	8'	9'
12V, 27W 1156	8.7	2.7	.9	.3	.05	-	-	-	-





## TUL3 ALUMINUM

### TUL3-G Verde

- 12 Volt
- 27 watt maximum
- 1156 Lamp (included)
- 1/2" NPS fitter

**HOUSING** – One-piece cast aluminum with aluminum stem.

**FINISH** – Hand-rubbed verde antiqued over black thermoset powdercoat.

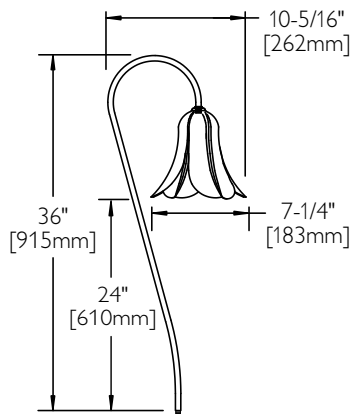
**SOCKET** – Single contact bayonet (S-8).

**WIRING** – Pre-wired with a 3-ft. pigtail and a quick connector for easy hookup to the supply cable.

ETL, cETL Listed.

Recommended Spacing - TUL3-G - 11'  
Horizontal footcandles

Volt/Lamp	1'	2'	3'	4'	5'	6'	7'	8'	9'
12V, 27W 1156	12.8	5.4	2.3	1.6	.9	.4	.8	-	-



## FUL1 ALUMINUM

### FUL1-G Verde

- 12 Volt
- 27 watt maximum
- 1156 Lamp (included)
- 1/2" NPS fitter

**HOUSING** – One-piece cast aluminum with aluminum stem.

**FINISH** – Hand-rubbed verde antiqued over black thermoset powdercoat.

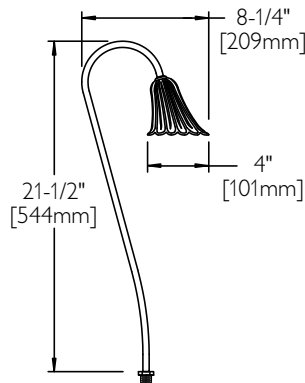
**SOCKET** – Single contact bayonet (S-8).

**WIRING** – Pre-wired with a 3-ft. pigtail and a quick connector for easy hookup to the supply cable.

ETL, cETL Listed.

Recommended Spacing - FUL1-G - 12'  
Horizontal footcandles

Volt/Lamp	1'	2'	3'	4'	5'	6'	7'	8'	9'
12V, 27W 1156	9.1	3.2	1.3	.8	.4	.25	-	-	-



## TL19 ALUMINUM

### TL19-G Verde

- 12 Volt
- Xenon Lamp (included)
- Stem not included, order separately
- 1/2" NPS fitter
- 20 watt maximum

**HOUSING** – Cast aluminum construction.

**FINISH** – Hand-rubbed verde antiqued over black thermoset powdercoat.

**SOCKET** – Wedge base.

**WIRING** – Pre-wired with a 3-ft. pigtail and a quick connector for easy hookup to the supply cable.

ETL, cETL Listed.

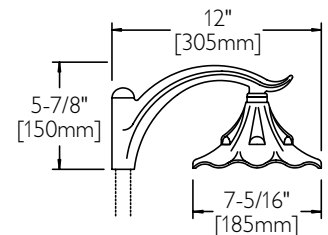
#### Optional Stems

Catalog No.	Finish	Description
S12	(Specify) *	Stem-12", 1/2" NPS
S24	(Specify) *	Stem-24", 1/2" NPS
S36	(Specify) *	Stem-36", 1/2" NPS

\*Specify Finishes: G- Verde (shown)

Recommended Spacing - TL19-G - 8'  
Horizontal footcandles

Volt/Lamp	1'	2'	3'	4'	5'	6'	7'	8'	9'
12V, 27W Xenon	7.1	2.7	1.0	.4	.2	.08	-	-	-



# PATHLYTES



## TL39 ALUMINUM

### TL39-G Verde

- 12 Volt
- Xenon Lamp (included)
- Stem not included, order separately
- 20 watt maximum
- 1/2" NPS fitter

**HOUSING** – Cast aluminum construction.

**FINISH** – Hand-rubbed verde antiqued over black thermoset powdercoat.

**SOCKET** – Wedge base.

**WIRING** – Pre-wired with a 3-ft. pigtail and a quick connector for easy hookup to the supply cable.

ETL, cETL Listed.



#### Optional Stems

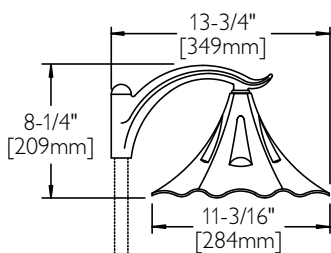
Catalog No.	Finish	Description
S12	(Specify) *	Stem-12", 1/2" NPS
S24	(Specify) *	Stem-24", 1/2" NPS
S36	(Specify) *	Stem-36", 1/2" NPS

\*Specify Finishes: G- Verde (shown)

Recommended Spacing - TL39-G - 8'

Horizontal footcandles

Volt/Lamp	1'	2'	3'	4'	5'	6'	7'	8'	9'
12V, 27W Xenon	7.2	1.8	.4	.18	.05	-	-	-	-



## TKL1 ALUMINUM

### TKL1-G Verde (matte)

- 12 Volt
- 18 watt maximum
- T5 Lamp (included)
- 1/2" NPS fitter

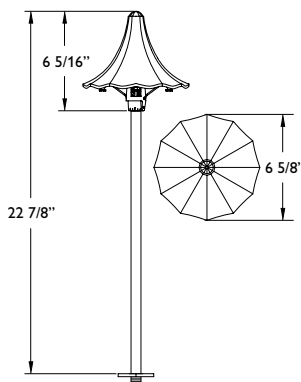
**HOUSING** – Cast aluminum roof and bracket Aluminum stem included.

**FINISH** – Hand-rubbed verde antiqued over black thermoset powdercoat.

**SOCKET** – Wedge base (T5).

**WIRING** – Pre-wired with a 3-ft. pigtail and a quick connector for easy hookup to the supply cable.

ETL, cETL Listed.



## SKL1 ALUMINUM

### SKL1-G Verde (matte)

- 12 Volt
- 18 watt maximum
- T5 Lamp (included)
- 1/2" NPS fitter

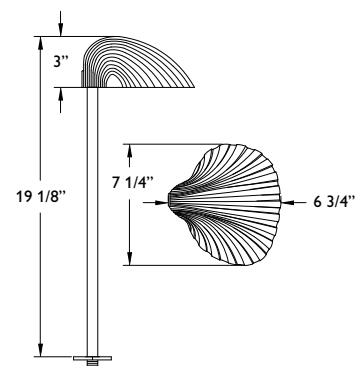
**HOUSING** – Cast aluminum decorative seashell cap. Aluminum stem included.

**FINISH** – Hand-rubbed verde antiqued over black thermoset powdercoat.

**SOCKET** – Wedge base (T5).

**WIRING** – Pre-wired with a 3-ft. pigtail and a quick connector for easy hookup to the supply cable.

ETL, cETL Listed.





## SKL2 ALUMINUM

**SKL2-G** Verde (*matte*)

- 12 Volt
- 18 watt maximum
- T5 Lamp (included)
- 1/2" NPS fitter

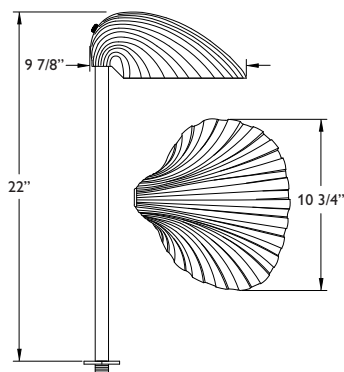
**HOUSING** – Cast aluminum decorative seashell cap. Aluminum stem included.

**FINISH** – Hand-rubbed verde antiqued over black thermoset powdercoat.

**SOCKET** – Wedge base (T5).

**WIRING** – Pre-wired with a 3-ft. pigtail and a quick connector for easy hookup to the supply cable.

ETL, cETL Listed.



## KCL1 ALUMINUM

**KCL1-G** Verde (*matte*)

- 12 Volt
- 18 watt maximum
- T5 Lamp (included)
- 1/2" NPS fitter

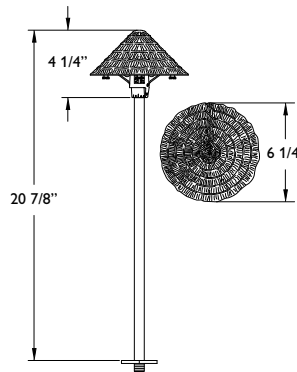
**HOUSING** – Cast aluminum roof and bracket. Aluminum stem included.

**FINISH** – Hand-rubbed verde antiqued over black thermoset powdercoat.

**SOCKET** – Wedge base (T5).

**WIRING** – Pre-wired with a 3-ft. pigtail and a quick connector for easy hookup to the supply cable.

ETL, cETL Listed.



## KCL2 ALUMINUM

**KCL2-G** Verde (*matte*)

- 12 Volt
- 18 watt maximum
- T5 Lamp (included)
- 1/2" NPS fitter

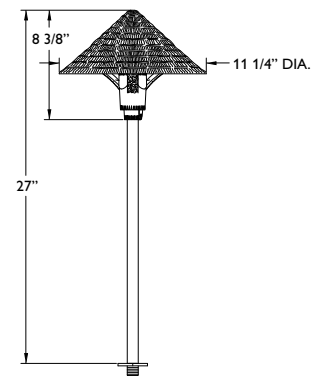
**HOUSING** – Cast aluminum roof and bracket. Aluminum stem included.

**FINISH** – Hand-rubbed verde antiqued over black thermoset powdercoat.

**SOCKET** – Wedge base (T5).

**WIRING** – Pre-wired with a 3-ft. pigtail and a quick connector for easy hookup to the supply cable.

ETL, cETL Listed.



# PATHLYTES



## KCL3 ALUMINUM

**KCL3-G** Verde (*matte*)

- 12 Volt
- 18 watt maximum
- T5 Lamp (included)

**HOUSING** – Cast aluminum roof, bracket and post fitter with aluminum post.

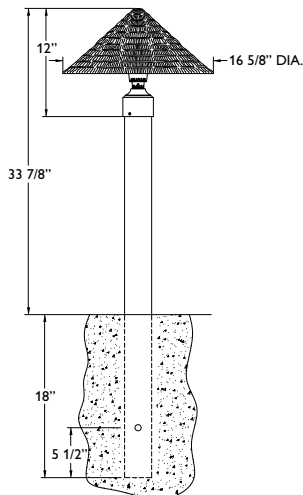
**FINISH** – Hand-rubbed verde antiqued over black thermoset powdercoat.

**SOCKET** – Wedge base (T5).

**MOUNTING** – Direct burial post.

**WIRING** – Pre-wired with a 3-ft. pigtail and a quick connector for easy hookup to the supply cable.

ETL, cETL Listed.



## AVSL3 ALUMINUM

**AVSL3-A** Black (*matte*)    **AVSL3-G** Verde (*matte*)

**AVSL3-H** Bronze (*matte*)

- 12 Volt
- 18 watt maximum
- T5 Lamp (included)
- 1/2" NPS fitter

**HOUSING** – Cast aluminum cage and decorative arm. Aluminum stem included.

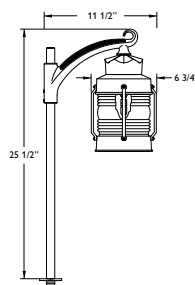
**FINISH** – Black thermoset, hand-rubbed verde antiqued over black thermoset powdercoat, or bronze thermoset powdercoat.

**LENS** – Clear polycarbonate fresnel lens.

**SOCKET** – Wedge base (T5).

**WIRING** – Pre-wired with a 3-ft. pigtail and a quick connector for easy hookup to the supply cable.

ETL, cETL Listed.



## AVL3 ALUMINUM

**AVL3-A** Black (*matte*)    **AVL3-G** Verde (*matte*)

**AVL3-H** Bronze (*matte*)

- 12 Volt
- 18 watt maximum
- T5 Lamp (included)
- 1/2" NPS fitter

**HOUSING** – Cast aluminum cage. Aluminum stem included.

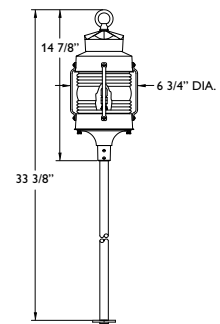
**FINISH** – Black thermoset, hand-rubbed verde antiqued over black thermoset powdercoat, or bronze thermoset powdercoat.

**LENS** – Clear polycarbonate fresnel lens.

**SOCKET** – Wedge base (T5).

**WIRING** – Pre-wired with a 3-ft. pigtail and a quick connector for easy hookup to the supply cable.

ETL, cETL Listed.





## AL42 ALUMINUM

**AL42-G** Verde                      **AL42-T** Speckled Stone  
**AL42-U** Sienna

- 12 Volt
- T3 Lamp (included)
- Stem not included, order separately
- 20 watt maximum
- 1/2" NPS fitter

**HOUSING** – Cast aluminum construction. Removable roof for easy relamping.

**FINISH** – Hand-rubbed verde antiqued over black thermoset powdercoat, speckled stone or sienna thermoset powdercoat.

**LENS** – Opalescent glass panels.

**SOCKET** – Bi-pin type (G4)

**WIRING** – Pre-wired with a 3-ft. pigtail and a quick connector for easy hookup to the supply cable.

ETL, cETL Listed.

### Optional Stems

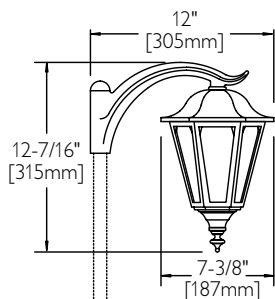
Catalog No.	Finish	Description
S12	(Specify) *	Stem-12", 1/2" NPS
S24	(Specify) *	Stem-24", 1/2" NPS
S36	(Specify) *	Stem-36", 1/2" NPS

\*Specify Finishes: G-Verde (shown), T-Speckled Stone, U-Sienna

Recommended Spacing - AL42 - 10'

Horizontal footcandles

Volt/Lamp	1'	2'	3'	4'	5'	6'	7'	8'	9'
12V, 20W T3	3.1	2.4	1.3	.7	.25	.05	-	-	-



## AL43 Aluminum

**AL43-G** Verde                      **AL43-T** Speckled Stone  
**AL43-U** Sienna

- 12 Volt
- T3 Lamp (included)
- Stem not included, order separately
- 20 watt maximum
- 1/2" NPS fitter

**HOUSING** – Cast aluminum construction. Removable roof for easy relamping.

**FINISH** – Hand-rubbed verde antiqued over black thermoset powdercoat, speckled stone or sienna thermoset powdercoat.

**LENS** – Opalescent glass panels.

**SOCKET** – Bi-pin type (G4)

**WIRING** – Pre-wired with a 3-ft. pigtail and a quick connector for easy hookup to the supply cable.

ETL, cETL Listed.

### Optional Stems

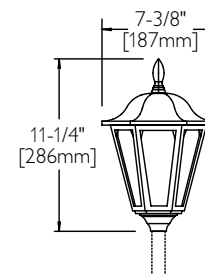
Catalog No.	Finish	Description
S12	(Specify) *	Stem-12", 1/2" NPS
S24	(Specify) *	Stem-24", 1/2" NPS
S36	(Specify) *	Stem-36", 1/2" NPS

\*Specify Finishes: G-Verde (shown), T-Speckled Stone, U-Sienna

Recommended Spacing - AL43 - 10'

Horizontal footcandles

Volt/Lamp	1'	2'	3'	4'	5'	6'	7'	8'	9'
12V, 20W T3	3.1	2.4	1.3	.7	.25	.05	-	-	-



# PATHLYTES



## OPL1 ALUMINUM

**OPL1-A** Black (*matte*)      **OPL1-G** Verde (*matte*)

- 12 Volt
- 18 watt maximum
- T5 Lamp (included)
- 1/2" NPS fitter

**HOUSING** – Cast aluminum roof. Two-piece aluminum cage with cone bottom. Aluminum stem included.

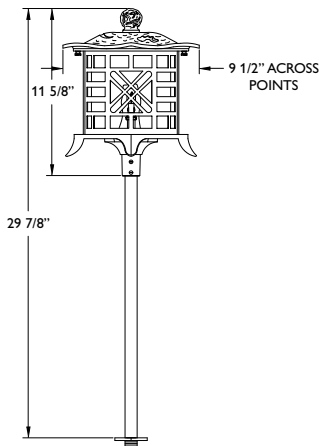
**FINISH** – Black thermoset, hand-rubbed verde antiqued over black thermoset powdercoat.

**LENS** – White Acrylic.

**SOCKET** – Wedge base (T5).

**WIRING** – Pre-wired with a 3-ft. pigtail and a quick connector for easy hookup to the supply cable.

ETL, cETL Listed.



## OPPL1 ALUMINUM

**OPPL1-A** Black (*matte*)      **OPPL1-G** Verde (*matte*)

- 12 Volt
- 18 watt maximum
- T5 Lamp (included)
- 1/2" NPS fitter

**HOUSING** – Cast aluminum roof. Two-piece aluminum cage with cone bottom. Aluminum stem included.

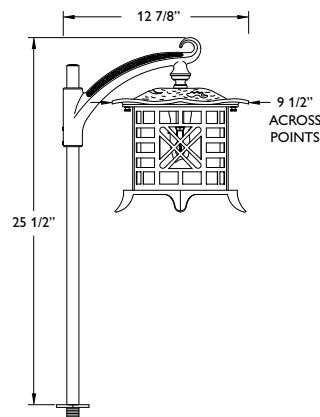
**FINISH** – Black thermoset, hand-rubbed verde antiqued over black thermoset powdercoat.

**LENS** – White Acrylic.

**SOCKET** – Wedge base (T5).

**WIRING** – Pre-wired with a 3-ft. pigtail and a quick connector for easy hookup to the supply cable.

ETL, cETL Listed.



## DKL5 ALUMINUM

**DKL5-A** Black (*matte*)      **DKL5-G** Verde (*matte*)

- 120 Volt (12 Volt Adapter supplied)
- 18 watt maximum
- T5 Lamp (included)
- 1/2" NPS fitter

**HOUSING** – All cast aluminum.

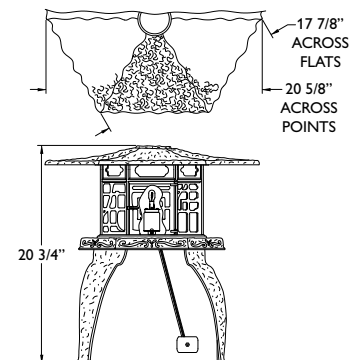
**FINISH** – Black thermoset, hand-rubbed verde antiqued over black thermoset powdercoat, or bronze thermoset powdercoat.

**LENS** – Opal Acrylic panels.

**SOCKET** – Porcelain Medium Base socket with Wedge Base adapter and 18W lamp supplied.

**WIRING** – Pre-wired with a 3-ft. pigtail and a quick connector for easy hookup to the supply cable.

ETL, cETL Listed.





## VPL1 ALUMINUM

VPL1-A Black (*matte*)      VPL1-G Verde (*matte*)

- 12 Volt
- 18 watt maximum
- T5 Lamp (included)
- 1/2" NPS fitter

**HOUSING** – Cast aluminum roof. Three-piece aluminum cage. Aluminum stem included.

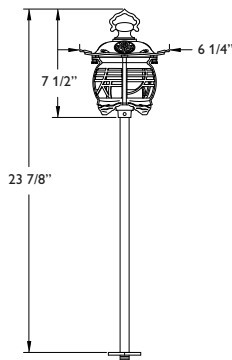
**FINISH** – Black thermoset, hand-rubbed verde antiqued over black thermoset powdercoat.

**LENS** – White Acrylic.

**SOCKET** – Wedge base (T5).

**WIRING** – Pre-wired with a 3-ft. pigtail and a quick connector for easy hookup to the supply cable.

ETL, cETL Listed.



## VPL2 ALUMINUM

VPL2-A Black (*matte*)      VPL2-G Verde (*matte*)

- 12 Volt
- 18 watt maximum
- T5 Lamp (included)
- 1/2" NPS fitter

**HOUSING** – Cast aluminum roof. Three-piece aluminum cage. Aluminum stem included.

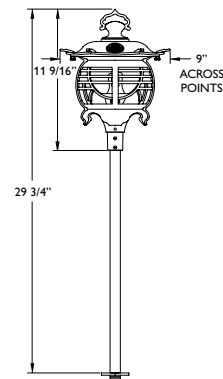
**FINISH** – Black thermoset, hand-rubbed verde antiqued over black thermoset powdercoat.

**LENS** – White Acrylic.

**SOCKET** – Wedge base (T5).

**WIRING** – Pre-wired with a 3-ft. pigtail and a quick connector for easy hookup to the supply cable.

ETL, cETL Listed.



# PATHLYTES



## VPSL1 ALUMINUM

VPSL1-A Black (*matte*)    VPSL1-G Verde (*matte*)

- 12 Volt
- 18 watt maximum
- T5 Lamp (included)
- 1/2" NPS fitter

**HOUSING** – Cast aluminum roof, arm, and cage. Aluminum stem included.

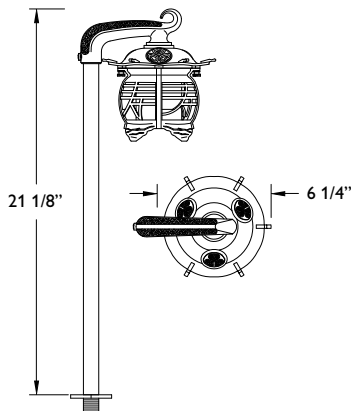
**FINISH** – Black thermoset, hand-rubbed verde antiqued over black thermoset powdercoat.

**LENS** – White Acrylic.

**SOCKET** – Wedge base (T5).

**WIRING** – Pre-wired with a 3-ft. pigtail and a quick connector for easy hookup to the supply cable.

ETL, cETL Listed.



## VPSL2 ALUMINUM

VPSL2-A Black (*matte*)    VPSL2-G Verde (*matte*)

- 12 Volt
- 18 watt maximum
- T5 Lamp (included)
- 1/2" NPS fitter

**HOUSING** – Cast aluminum roof, arm, and cage. Aluminum stem included.

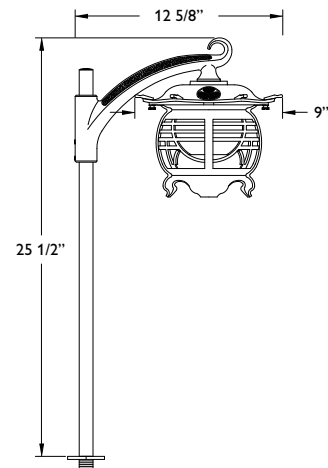
**FINISH** – Black thermoset, hand-rubbed verde antiqued over black thermoset powdercoat.

**LENS** – White Acrylic.

**SOCKET** – Wedge base (T5).

**WIRING** – Pre-wired with a 3-ft. pigtail and a quick connector for easy hookup to the supply cable.

ETL, cETL Listed.





## RL4 ALUMINUM

- RL4-A** Black                      **RL4-G** Verde  
**RL4-T** Speckled Stone        **RL4-U** Sienna

- 12 Volt
- 20 watt maximum
- T3 Lamp (included)
- 1/2" NPS fitter

**HOUSING** – Cast aluminum construction.

**FINISH** – Black thermoset, hand-rubbed verde antiqued over black thermoset powdercoat, speckled stone or sienna thermoset powdercoat.

**LENS** – Frosted glass.

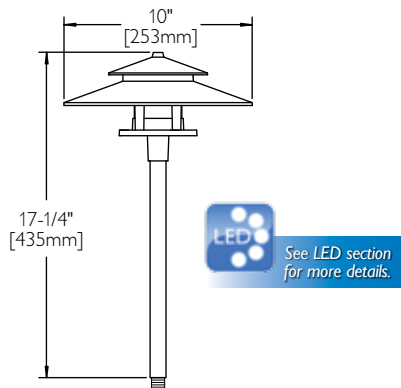
**SOCKET** – Bi-pin type (G4).

**WIRING** – Pre-wired with a 3-ft. pigtail and a quick connector for easy hookup to the supply cable.

ETL, cETL Listed.

Recommended Spacing - RL4 - 8'  
Horizontal footcandles

Volt/Lamp	1'	2'	3'	4'	5'	6'	7'	8'	9'
12V, 20W T3	3.0	1.0	.5	.1	.05	-	-	-	-



## RL3 ALUMINUM

- RL3-G** Verde

- 12 Volt
- 27 watt maximum
- 1156 Lamp (included)
- 1/2" NPS fitter

**HOUSING** – Cast aluminum construction.

**FINISH** – Hand-rubbed verde antiqued over black thermoset powdercoat.

**LENS** – Painted glass jar with clear glass top.

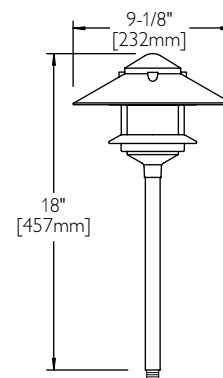
**SOCKET** – Single contact bayonet (S-8).

**WIRING** – Pre-wired with a 3-ft. pigtail and a quick connector for easy hookup to the supply cable.

ETL, cETL Listed.

Recommended Spacing - RL3-G - 8'  
Horizontal footcandles

Volt/Lamp	1'	2'	3'	4'	5'	6'	7'	8'	9'
12V, 27W 1156	7.2	1.8	.4	.18	.05	-	-	-	-



# PATHLYTES



## PL3 ALUMINUM

### PL3-G Verde

- 12 Volt
- 27 watt maximum
- 1156 Lamp (included)
- 1/2" NPS fitter

**HOUSING** – Cast aluminum construction.

**FINISH** – Hand-rubbed verde antiqued over black thermoset powdercoat.

**LENS** – Painted, molded glass with clear top.

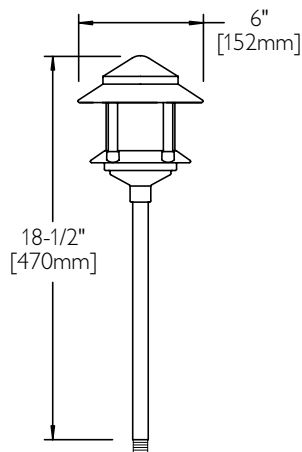
**SOCKET** – Single contact bayonet (S-8).

**WIRING** – Pre-wired with a 3-ft. pigtail and a quick connector for easy hookup to the supply cable.

ETL, cETL Listed.

Recommended Spacing - PL3-G - 7'

Volt/Lamp	Horizontal footcandles								
	1'	2'	3'	4'	5'	6'	7'	8'	9'
12V, 27W 1156	3.0	1.0	.45	.1	-	-	-	-	-



## PL39 ALUMINUM

### PL39-K Garden Green

- 12 Volt
- 27 watt maximum
- 1156 Lamp (included)
- 1/2" NPS fitter
- Stem not included, order separately

**HOUSING** – Cast aluminum construction.

**FINISH** – Garden green thermoset powdercoat.

**LENS** – Clear molded glass.

**SOCKET** – Single contact bayonet (S-8).

**WIRING** – Pre-wired with a 3-ft. pigtail and a quick connector for easy hookup to the supply cable.

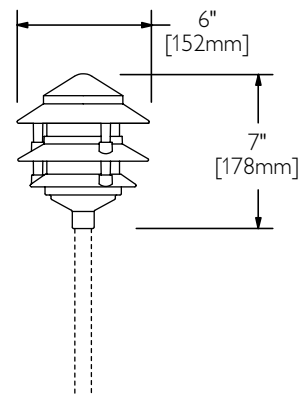
ETL, cETL Listed.

#### Optional Stems

Catalog No.	Finish	Description
S12	K-Garden Green	Stem-12", 1/2" NPS
S24	K-Garden Green	Stem-24", 1/2" NPS
S36	K-Garden Green	Stem-36", 1/2" NPS

Recommended Spacing - PL39-K - 10'

Volt/Lamp	Horizontal footcandles								
	1'	2'	3'	4'	5'	6'	7'	8'	9'
12V, 27W 1156	2.8	3.6	1.1	.5	.2	.1	-	-	-





## HBCL1 ALUMINUM

HBCL1-A Black (matte) HBCL1-G Verde (matte)

HBCL1-H Bronze (matte)

- 12 Volt
- 18 watt maximum
- T5 lamp (included)
- 1/2" NPS fitter

**HOUSING** – Cast aluminum roof and bottom. Aluminum stem included.

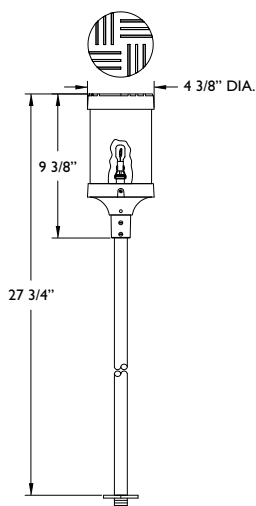
**FINISH** – Black or bronze thermoset powdercoat.

**LENS** – Opal polycarbonate cylinder.

**SOCKET** – Wedge base (T5).

**WIRING** – Pre-wired with a 3-ft. pigtail and a quick connector for easy hookup to the supply cable.

ETL, cETL Listed.



## IWPL3 ALUMINUM

IWPL3-A Black (matte) IWPL3-H Bronze (matte)

- 12 Volt
- 18 watt maximum
- T5 lamp (included)
- 1/2" NPS fitter

**HOUSING** – Cast aluminum roof and cage bottom. Extruded aluminum cage legs. Aluminum stem included.

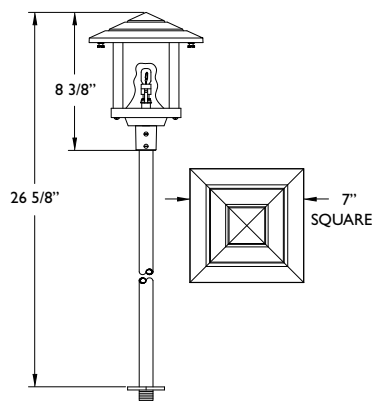
**FINISH** – Black or bronze thermoset powdercoat.

**LENS** – Opalescent honey glass panels.

**SOCKET** – Wedge base (T5).

**WIRING** – Pre-wired with a 3-ft. pigtail and a quick connector for easy hookup to the supply cable.

ETL, cETL Listed.



## IWPL4 ALUMINUM

IWPL4-A Black (matte) IWPL4-H Bronze (matte)

- 12 Volt
- 18 watt maximum
- T5 lamp (included)
- 1/2" NPS fitter

**HOUSING** – Cast aluminum roof and cage bottom. Extruded aluminum cage legs. Aluminum stem included.

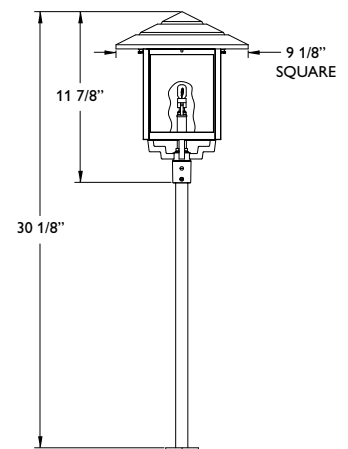
**FINISH** – Black or bronze thermoset powdercoat.

**LENS** – Opalescent honey glass panels.

**SOCKET** – Wedge base (T5).

**WIRING** – Pre-wired with a 3-ft. pigtail and a quick connector for easy hookup to the supply cable.

ETL, cETL Listed.



# PATHLYTES



## IWPC4 ALUMINUM

**IWPC4-A** Black (*matte*) **IWPC4-H** Bronze (*matte*)

- 12 Volt
- 20 watt maximum
- T5 Lamp (included)
- 1/2" NPS fitter

**HOUSING** – Cast aluminum roof and bottom. Extruded aluminum cage legs. Aluminum stem included.

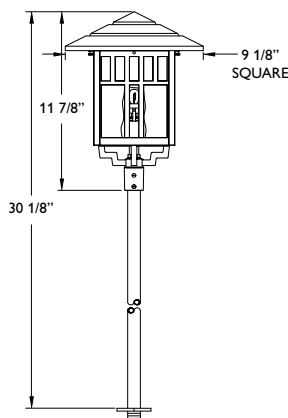
**FINISH** – Black or bronze thermoset powdercoat.

**LENS** – Opalescent honey glass panels.

**SOCKET** – Wedge base (T5).

**WIRING** – Pre-wired with a 3-ft. pigtail and a quick connector for easy hookup to the supply cable.

ETL, cETL Listed.



## IWVBL3 ALUMINUM

**IWVBL3-A** Black (*matte*) **IWVBL3-H** Bronze (*matte*)

- 12 Volt
- 18 watt maximum
- T5 Lamp (included)

**UPPER HOUSING** – Cast aluminum roof and bottom. Extruded aluminum cage legs.

**LOWER HOUSING** – 4" sq. Extruded aluminum post (1/8" wall).

**FINISH** – Black or bronze thermoset powdercoat.

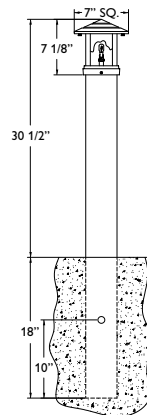
**LENS** – Opalescent honey glass panels.

**SOCKET** – Wedge base (T5).

**MOUNTING** – Direct burial post.

**WIRING** – Pre-wired with a 3-ft. pigtail and a quick connector for easy hookup to the supply cable.

ETL, cETL Listed.



## IWVBL3 ALUMINUM

**IWVBL3-A** Black (*matte*) **IWVBL3-H** Bronze (*matte*)

- 12 Volt
- 18 watt maximum
- T5 Lamp (included)

**UPPER HOUSING** – Cast aluminum roof and bottom. Extruded aluminum cage legs.

**LOWER HOUSING** – 4" sq. Extruded aluminum post (1/8" wall).

**FINISH** – Black or bronze thermoset powdercoat.

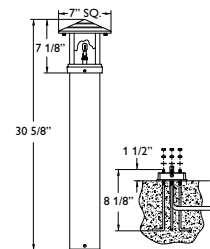
**LENS** – Opalescent honey glass panels.

**SOCKET** – Wedge base (T5).

**MOUNTING** – Lower casting is secured to anchor foundation by three (3) galvanized steel bolts and nuts.

**WIRING** – Pre-wired with a 3-ft. pigtail and a quick connector for easy hookup to the supply cable.

ETL, cETL Listed.



# BOLLARDS



## IWBCL4 ALUMINUM

**IWBCL4-A** Black (*matte*)    **IWBCL4-H** Bronze (*matte*)

- 12 Volt
- 18 watt maximum
- T5 Lamp (included)

**UPPER HOUSING** – Cast aluminum roof and cage.

**LOWER HOUSING** – 4" sq. Extruded aluminum post (1/8" wall).

**FINISH** – Black or bronze thermoset powdercoat.

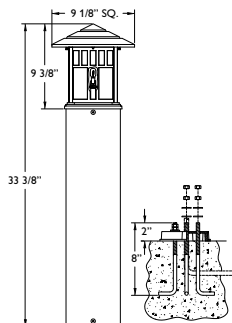
**LENS** – Opalescent honey glass panels.

**SOCKET** – Wedge base (T5).

**MOUNTING** – Lower casting is secured to anchor foundation by three (3) galvanized steel bolts and nuts.

**WIRING** – Pre-wired with a 3-ft. pigtail and a quick connector for easy hookup to the supply cable.

ETL, cETL Listed.



## SBBL1 ALUMINUM

**SBBL1-A** Black (*matte*)    **SBBL1-H** Bronze (*matte*)

- 12 Volt
- 18 watt maximum
- T5 Lamp (included)

**UPPER HOUSING** – Cast aluminum roof and bottom. Extruded aluminum cage legs.

**LOWER HOUSING** – 4" sq. Extruded aluminum post (1/8" wall).

**FINISH** – Black or bronze thermoset powdercoat.

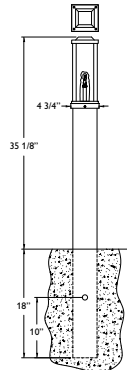
**LENS** – Opal polycarbonate panels.

**SOCKET** – Wedge base (T5).

**MOUNTING** – Direct burial post.

**WIRING** – Pre-wired with a 3-ft. pigtail and a quick connector for easy hookup to the supply cable.

ETL, cETL Listed.



## SBL1 ALUMINUM

**SBL1-A** Black (*matte*)    **SBL1-H** Bronze (*matte*)

- 12 Volt
- 18 watt maximum
- T5 Lamp (included)

**UPPER HOUSING** – Cast aluminum roof and bottom. Extruded aluminum cage legs.

**LOWER HOUSING** – 4" sq. Extruded aluminum post (1/8" wall).

**FINISH** – Black or bronze thermoset powdercoat.

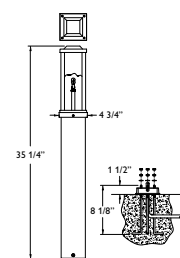
**LENS** – Opal polycarbonate panels.

**SOCKET** – Wedge base (T5).

**MOUNTING** – Lower casting is secured to anchor foundation by three (3) galvanized steel bolts and nuts.

**WIRING** – Pre-wired with a 3-ft. pigtail and a quick connector for easy hookup to the supply cable.

ETL, cETL Listed.



### Optional Louver

Catalog No.	Finish	Description
LSB1	(Specify) *	Louver



### Optional Louver

Catalog No.	Finish	Description
LSB1	(Specify) *	Louver



# BOLLARDS



## HBBL1 ALUMINUM

**HBBL1-A** Black (*matte*)    **HBBL1-H** Bronze (*matte*)

- 12 Volt
- 18 watt maximum
- T5 Lamp (included)

**UPPER HOUSING** – Cast aluminum roof and bottom.

**LOWER HOUSING** – 4" dia. Extruded aluminum post (1/8" wall).

**FINISH** – Black or bronze thermoset powdercoat.

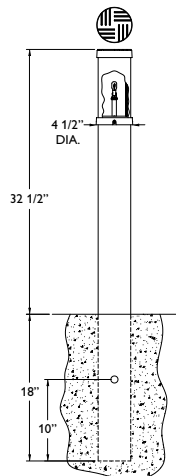
**LENS** – Opal polycarbonate cylinder.

**SOCKET** – Wedge base (T5).

**MOUNTING** – Direct burial post.

**WIRING** – Pre-wired with a 3-ft. pigtail and a quick connector for easy hookup to the supply cable.

ETL, cETL Listed.



## HBL1 ALUMINUM

**HBL1-A** Black (*matte*)    **HBL1-H** Bronze (*matte*)

- 12 Volt
- 18 watt maximum
- T5 Lamp (included)
- Stem not included, order separately

**UPPER HOUSING** – Cast aluminum roof and bottom.

**LOWER HOUSING** – 4" dia. Extruded aluminum post (1/8" wall).

**FINISH** – Black or bronze thermoset powdercoat.

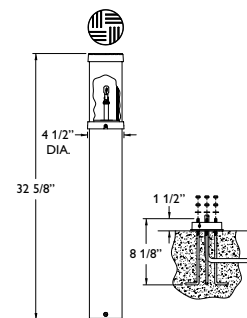
**LENS** – Opal polycarbonate cylinder.

**SOCKET** – Wedge base (T5).

**MOUNTING** – Lower casting is secured to anchor foundation by three (3) galvanized steel bolts and nuts.

**WIRING** – Pre-wired with a 3-ft. pigtail and a quick connector for easy hookup to the supply cable.

ETL, cETL Listed.





## DWL1 CAST BRONZE

**DWL1-N** Natural Cast Bronze

- 12 Volt
- 20 watt maximum
- T3 Halogen lamp (included)

**HOUSING** – Constructed of cast bronze, which offers superior strength and durability. Recessed housing is compression molded composite.

**FINISH** – Natural bronze.

**LENS** – Borosilicate frosted glass lens, fully gasketed top and bottom.

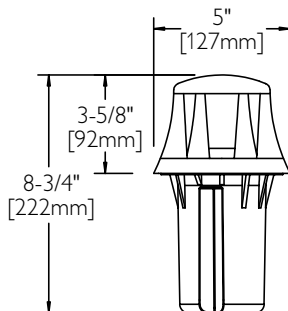
**SOCKET** – Bi-pin type (G4).

**WIRING** – Pre-wired with a 3-ft. pigtail and a quick connector for easy hookup to the supply cable.

ETL, cETL Listed.

Recommended Spacing - DWL1-N - 15'  
Horizontal footcandles

Volt/Lamp	1'	2'	3'	4'	5'	6'	7'	8'	9'
12V, 20W T3	13.35	3.94	1.42	.90	.56	.37	.24	.17	-



## DWCL1 COMPOSITE

**DWCL1-A** Black

- 12 Volt
- 20 watt maximum
- T3 Halogen lamp (included)

**HOUSING** – Injection molded polyester composite resin.

**FINISH** – Color impregnated black.

**LENS** – Borosilicate glass lens, fully gasketed top and bottom.

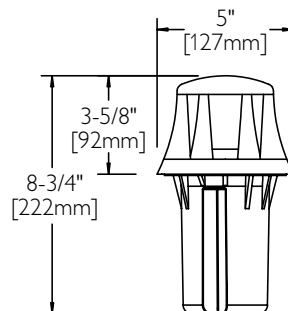
**SOCKET** – Bi-pin type (G4).

**WIRING** – Pre-wired with a 3-ft. pigtail and a quick connector for easy hookup to the supply cable.

ETL, cETL Listed.

Recommended Spacing - DWCL1-A - 15'  
Horizontal footcandles

Volt/Lamp	1'	2'	3'	4'	5'	6'	7'	8'	9'
12V, 20W T3	13.35	3.94	1.42	.90	.56	.37	.24	.17	-



## DWCL2 COMPOSITE

**DWCL2-A** Black

- 12 Volt
- 20 watt maximum
- T3 Halogen lamp (included)

**HOUSING** – Injection molded polyester composite resin.

**FINISH** – Color impregnated black.

**LENS** – Ribbed clear acrylic, fully gasketed.

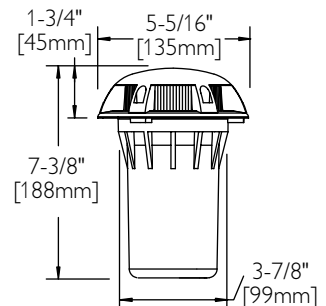
**SOCKET** – Bi-pin type (G4).

**WIRING** – Pre-wired with a 3-ft. pigtail and a quick connector for easy hookup to the supply cable.

ETL, cETL Listed.

Recommended Spacing - DWCL2-A - 13'  
Horizontal footcandles

Volt/Lamp	1'	2'	3'	4'	5'	6'	7'	8'	9'
12V, 20W T3	10.67	2.73	1.17	.65	.36	.22	.07	.02	-



# Low Voltage Underwater Lighting

Liquid luminescence. Enchanting dimension.

Water features bring elemental beauty to almost any environment.

Our underwater lights illuminate water features safely and strikingly. And our selection of colored lenses gives you the freedom to explore even more dramatic effects.

From pond to fountain to waterfall, the glow of underwater lighting makes every breeze – every ripple – a detail remembered.





# UNDERWATER



## UWL1 COMPOSITE

**UWL1-A** Black

- 12 Volt
- 20 watt maximum
- T3 Lamp (10 watt included)

**HOUSING** – Molded Lexan® composite, internally weighted.

**FINISH** – Color impregnated black.

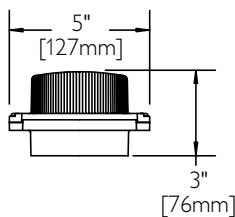
**LENS** – Molded prismatic acrylic with optional reflector to block uplight.

**SOCKET** – Bi-pin (G4).

**WIRING** – 15-ft. STWA cord for hard wiring to low voltage supply cable.

**NOTE:** Underwater fixtures are not for use in swimming pools or spas due to exposed wiring. Hand tighten screws. Avoid over tightening.

ETL, cETL Listed.



## UWUL516 COMPOSITE

**UWUL516-H** Bronze

- 12 Volt
- 35 watt maximum
- MR16 Lamp

**HOUSING** – Injection molded fiberglass reinforced ULTEM® High Performance Polymer.

**LENS RING** – Single-piece injection molded ULTEM® High Performance Polymer with gasketed lens. Twist-off operation for ease of maintenance.

**BASE** – Weighted concrete with swivel to allow up to 90° aiming.

**FINISH** – Color impregnated bronze.


**LENS** – Tempered clear glass with high impact polycarbonate clear lens guard.

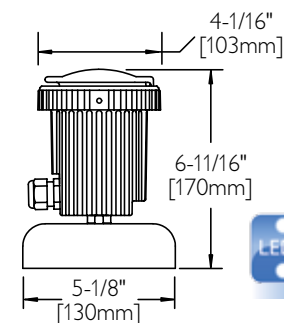
**SOCKET** – Bi-pin (GU5.3).

**WIRING** – 10-ft. STWA cord for hard wiring to low voltage supply cable.

**NOTE:** Underwater fixtures are not for use in swimming pools or spas due to exposed wiring.

ETL, cETL Listed.

catalog no.	description
 IBL16	Ice Blue Lens





## UWL1075/UWL1100

CAST BRONZE

**UWL1075-N** Natural Cast Bronze

**UWL1100-N** Natural Cast Bronze

- 12 Volt
- 100 watt maximum
- UWL1075: 75W MR16 Lamp (Included)
- UWL1100: 100W T3 Lamp (Included)

**HOUSING** – Cast nickel bronze guard, spun stainless steel housing, stainless steel fasteners.

**BASE** – Cast nickel bronze swivel base.

**FINISH** – Natural finish.





**LENS** – Tempered clear convex glass (see below for optional colored lenses).

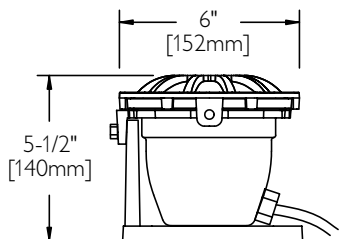
**SOCKET** – UWL1075 Bi-Pin (GY6.5).  
UWL1100 Porcelain mini-can base.

**WIRING** – 10-ft. SVO cord for hard wiring to low voltage supply cable.

**NOTE:** Underwater fixtures are not for use in swimming pools or spas due to exposed wiring.

ETL, cETL Listed.

catalog no.	description	catalog no.	description
 UWBLU	Blue Lens	 UWGRN	Green Lens
 UWRED	Red Lens	 UWAMB	Amber Lens



## UWL2075/UWL2100 CAST BRONZE

**UWL2075-N** Natural Cast Bronze

**UWL2100-N** Natural Cast Bronze

- 12 Volt
- 100 watt maximum
- UWL2075: 75W MR16 Lamp (Included)
- UWL2100: 100W T3 Lamp (Included)

**HOUSING** – Cast nickel bronze guard, spun stainless steel housing, stainless steel fasteners.

**NICHE** – Stainless steel with cast nickel bronze trim.

**FINISH** – Natural finish.





**LENS** – Tempered clear convex glass (see below for optional colored lenses).

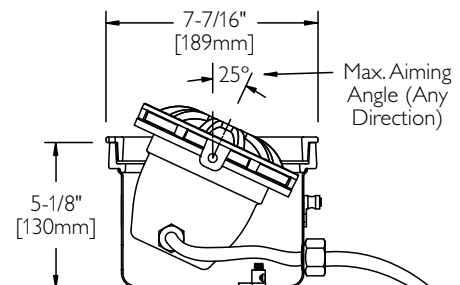
**SOCKET** – UWL2075 Bi-Pin (GY6.5).  
UWL2100 Porcelain mini-can base.

**WIRING** – 10-ft. SVO cord for hard wiring to low voltage supply cable.

**NOTE:** Underwater fixtures are not for use in swimming pools or spas due to exposed wiring.

ETL, cETL Listed.

catalog no.	description	catalog no.	description
 UWBLU	Blue Lens	 UWGRN	Green Lens
 UWRED	Red Lens	 UWAMB	Amber Lens



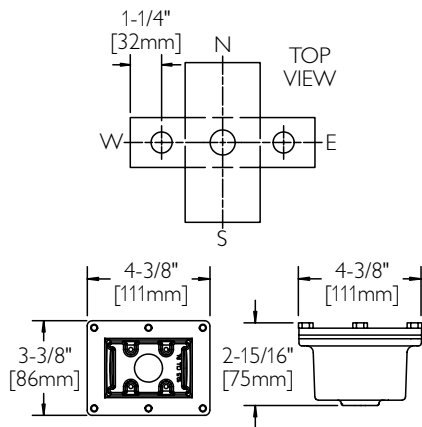
# UNDERWATER ACCESSORIES



## JBH1 JUNCTION BOX

Two (2) lights, 10.5 cubic inches. Single 3/4" NPT bottom. Two (2) 1/2" or 3/4", one (1) each end.

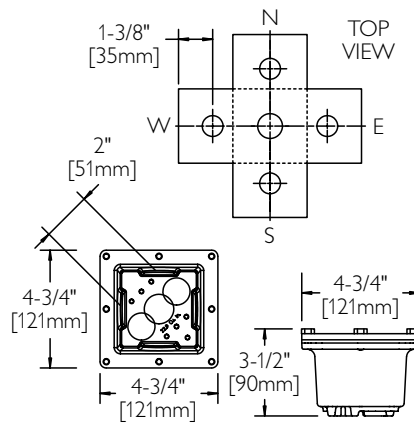
Please specify factory-machined conduit entryways upon ordering.



## JBH2 JUNCTION BOX

Four (4) lights, 21.3 cubic inches. Two (2) 1" max. NPT bottom. Four (4) 1/2" or 3/4", one (1) each end.

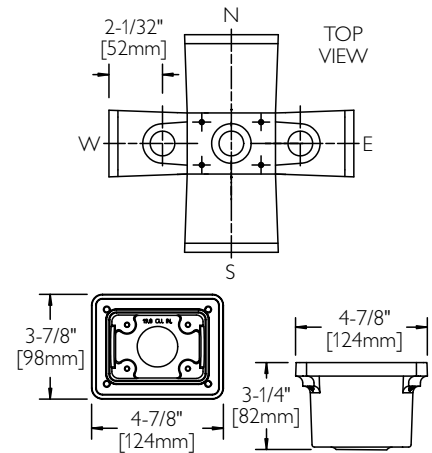
Please specify factory-machined conduit entryways upon ordering.



## SJBH10 JUNCTION BOX

Two (2) lights, 21 cubic inches. Single 3/4" NPT bottom. Two (2) 1/2" or 3/4", one (1) each end.

Please specify factory-machined conduit entryways upon ordering.



## CCH50

Machined Naval Brass Cord Seal-Neoprene packing seal, brass friction ring. 1/2" NPT for use with 16-3 STO-WA entry into junction box.



## CCH50F

Strain Relief, Machined Naval Brass Cord Seal-Neoprene packing seal, brass friction ring. 1/2" NPTx 16-3 cord.



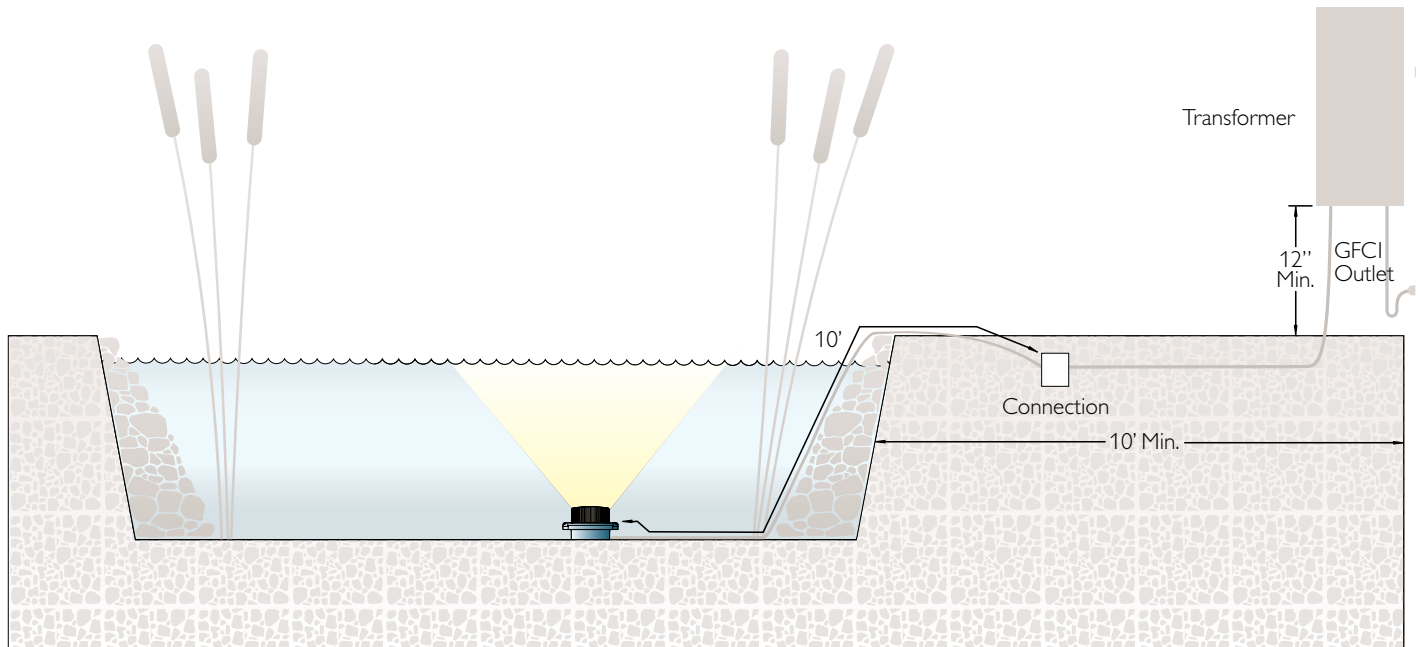
## MA1

Re-entable encapsulant for inground installations. Two-part field mixable material in one convenient package. Boxed six (6) per carton.

Fixtures are intended for use in water gardens, fountains or ponds and not for use in swimming pool applications. Underwater lighting techniques may include uplighting above-surface water features, or illuminating the water itself.

## POND APPLICATION — LOW VOLTAGE

1. Remove screw(s) and lens cover and install lamp.
2. Replace lens and cover and reinstall screw(s). Be certain that gasket area is wiped clean and is free of any debris and that screws are tightly fastened (do not overtighten).
3. Submerge fixture in water, making sure that the end of the 10-ft. SVO cord is not submerged. Fixture must be submerged a minimum of 2" below the water surface.
4. Connect dry end of SVO cord to cable run, using silicone-filled wire nuts (MA22 or similar).
5. Power supply (transformer) must be mounted in accordance to NEC specifications.
6. Do not allow the underwater fixture to freeze as this may cause fixture failure.



# Low Voltage Accessories and Photometrics

Just as important as our vast selection of fixtures, Philips Hadco accessories give you all the options you need to finish the job with confidence.

Browse our broad array of transformers and our wide variety of stakes, connectors and mounting canopies. You'll find the right accessories to implement almost any installation you can imagine.





# TRANSFORMERS



## 15 VOLT STANDARD TRANSFORMERS

- Polyester powdercoated steel case.
- Removable, gasketed hinged door.
- Weatherproof compartment for plug in time clock (T5 or T6, sold separately).
- Plug-in photocell (PC3 or PC15, sold separately).
- 1/2" knockout for photocell mounting.
- Four (4) to eight (8) double knockouts for 1/2" or 3/4" conduit.
- One (1) 1-1/2" conduit inlet.
- Hinged bottom plate.
- Large wiring compartment.
- Large terminal blocks to accommodate up to four (4) #10 wires.
- Plug-in photo cell outlet.
- Plug-in time clock outlet (X10 compatible).
- Epoxy encapsulated toroidal transformer with built-in primary thermal protection.
- 12V, 13V, 14V, and 15V output taps.
- Magnetic circuit breaker for each 300w secondary circuit.
- 6-ft. grounded cord and plug.
- Indoor/Outdoor UL and cUL listed.
- Ten-year warranty.



## 15 VOLT STAINLESS STEEL TRANSFORMERS

- 304 brushed stainless steel case.
- Removable, gasketed hinged door.
- Weatherproof compartment for plug in time clock (T5 or T6, sold separately).
- Plug-in photocell (PC3 or PC15, sold separately).
- 1/2" knockout for photocell mounting.
- Four (4) to eight (8) double knockouts for 1/2" or 3/4" conduit.
- One (1) 1-1/2" conduit inlet .
- Hinged bottom plate.
- Large wiring compartment.
- Large terminal blocks to accommodate up to four (4) #10 wires.
- Plug-in photo cell outlet.
- Plug-in time clock outlet (X10 compatible).
- Epoxy encapsulated toroidal transformer with built-in primary thermal protection.
- 12V, 13V, 14V, and 15V output taps.
- Magnetic circuit breaker for each 300w secondary circuit.
- 6-ft. grounded cord and plug.
- Indoor/Outdoor UL and cUL listed.
- Limited lifetime warranty.



## 22 VOLT STAINLESS TRANSFORMERS

- 304 stainless steel case.
- Removable door.
- Weatherproof compartment for plug in time clock (T5 or T6 sold separately).
- Plug-in photocell (PC3 or PC15 sold separately).
- 1/2" knockout for photocell mounting.
- Four (4) to eight (8) double knockouts for 1/2" or 3/4" conduit.
- One (1) 1-1/2" conduit inlet.
- Hinged bottom plate.
- Large wiring compartment.
- Large terminal blocks to accommodate up to four (4) #10 wires.
- Plug-in photo cell outlet.
- Plug-in time clock outlet (X10 compatible).
- Epoxy encapsulated toroidal transformer with built-in primary thermal protection.
- 12V, 13V, 14V, 15V, 17V, 20V, and 22V output taps.
- Magnetic circuit breaker for each 300w secondary circuit.
- 6-ft. grounded cord and plug.
- Indoor/Outdoor ETL, cETL Listed.
- Limited lifetime warranty.



## INGROUND TRANSFORMERS

- Fiberglass reinforced composite box with composite lid and silicone gasketing.
- Separate wiring compartment with two (2) 3/4" inlets.
- Epoxy encapsulated toroidal transformer with built-in primary thermal protection.
- Magnetic circuit breaker for each 300w secondary circuit.
- Shielding between primary and secondary circuits.
- 12V, 13V, 14V, and 15V output taps.
- Multiple 1/2" knockouts on bottom of box.
- Waterproof connectors for low voltage cable outlets. One (1) supplied with 300w unit, two (2) supplied with 600w unit.
- Potting compound supplied for line voltage wiring compartment.
- ETL, cETL Listed.
- Ten-year warranty.

# TRANSFORMERS

## TRANSFORMERS

## TRANSFORMER ACCESSORY COMPATIBILITY\*

Catalog Number	Description	Height	Width	Depth	PC1	PC3	PC15	T5	T6
TC151-12	150VA, 12V TAP, Painted <i>(not pictured)</i>	11-1/2"	3-1/4"	3-1/4"	✓				
TC151-12TP	150VA, 12V TAP, Painted, W/Timer, PC <i>(not pictured)</i>	11-1/2"	3-1/4"	3-1/4"					
TC344-15	300VA Multitap, Painted, Hinged Door	11-3/8"	6-3/8"	5-5/8"		✓	✓	✓	✓
TC644-15	600VA Multitap, Painted, Hinged Door	12-5/8"	7-1/2"	6"		✓	✓	✓	✓
TC944-15	900VA Multitap, Painted, Hinged Door	14"	8-7/8"	7"		✓	✓	✓	✓
TSS344-15	300VA Multitap, Stainless, Hinged Door	11-3/8"	6-3/8"	5-5/8"		✓	✓	✓	✓
TSS644-15	600VA Multitap, Stainless, Hinged Door	12-5/8"	7-1/2"	6"		✓	✓	✓	✓
TSS944-15	900VA Multitap, Stainless, Hinged Door	14"	8-7/8"	7"		✓	✓	✓	✓
TSS683-22	600VA HO Multitap, Stainless	17-5/8"	6-3/16"	6-3/4"		✓	✓	✓	✓
TSS983-22	900VA HO Multitap, Stainless	17-5/8"	6-3/16"	6-3/4"		✓	✓	✓	✓
TSS1283-22	1200VA HO Multitap, Stainless	17-5/8"	6-3/16"	6-3/4"		✓	✓	✓	✓
TB100-12	100VA Cast Iron Inground, 12V <i>(not pictured)</i>	4"	4"	5"					
TBC303-15	300VA Inground Multitap, one 1/2" Knockout	9-5/8" dia.		12-7/8"					
TBC603-15	600VA Inground Multitap, two 1/2" Knockouts	10-5/8" dia.		12-7/8"					

\*Accessory compatibility is model specific. Please see accessory descriptions below.

## TRANSFORMER ACCESSORIES:



### T5

Plug-in analog transformer time clock.



### T6

Plug-in digital transformer time clock with battery back-up.



### PC1

Hardwire photo cell. Finger type, adjustable photo control. 1/2" [13mm] NPS for mounting.



### PC3

Plug-in photo cell, 3" [78mm] lead for direct mount to transformer housing.



### PC15

Plug-in photo cell, 15-ft. [46.8m] lead for remote mount.

# STAKES/CONNECTORS

## CONNECTORS



### LVC3

Low Voltage Quick Connector with positive lock screw design. Heavier prongs for a more positive connection with base ensures proper fit for single circuit.



### LVC4

Low Voltage "T" connector for branching off existing low voltage cable for additional runs.



### MA22

Silicone-filled wire connectors. Necessary to protect splicings from moisture and oxidation. Handles up to 10 gauge wire. Boxed twenty-five (25) per carton.

## STAKES



### S1

Extruded aluminum stake, 10" [254mm] long with 1/2" [13mm] NPS stainless locking screws. Black powdercoat finish.



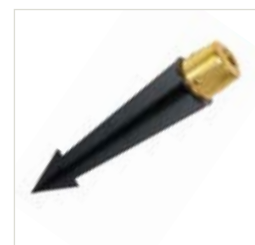
### S6

Telescopic low voltage stake. Constructed of non-corrosive PVC. Field adjustable 2"-14" [51mm-356mm] above ground. Ideal for use in fast growing annual beds. (U.S. Patent No. 7,741,133).



### S7

Two-piece low voltage mounting stake. PVC stake 1-3/8" [35mm] O.D. x 9-1/2" [241mm] long with integral 1/2" [13mm] NPS fitter. Includes ABS, removable 1/2" NPS [13mm] fitter.



### S7N

Two-piece low voltage mounting stake with brass cap. PVC stake 1-3/8" [35mm] OD x 9-1/2" [241mm] long with integral 1/2" [13mm] NPS fitter. Includes die-cast brass, removable 1/2" NPS [13mm] fitter.



### S8

Two-piece low voltage mounting stake. PVC stake 1-3/8" [35mm] O.D. x 15" [375mm] long with threaded 1/2" [13mm] NPS removable fitter.



### S8N

Two-piece low voltage mounting stake with brass cap. PVC stake 1-3/8" [35mm] O.D. x 15" [375mm] long with die-cut brass removable 1/2" [13mm] NPS fitter.



### TS375-12

Black 19" [494mm] PVC Mounting Stake with integral 75w Electronic Transformer. 3" [78mm] OD ABS cap with threaded 1/2" [13mm] NPS hub. To be used with 12 volt fixtures (sold separately) and 120 volt power source.



### A18

Ceramic Wedge base socket (12v) attached to Phenolic flanged adapter with standard male screw shell for medium base (120v). 18W lamp included.

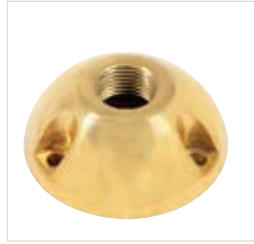
# MISCELLANEOUS SUPPLIES

## MOUNTING CANOPIES



**MC1**

Low voltage mounting canopy. Cast aluminum with 1/2" [13mm] NPS inlet. Suitable for trees, soffit, wall or deck mounting of many low voltage fixtures. 2-7/8" [73mm] round.



**MC1N**

Low voltage mounting canopy. Cast brass with 1/2" [13mm] NPS inlet. Suitable for trees, soffit, wall or deck mounting of many low voltage fixtures. 2-7/8" [73mm] round.



**M0040**

Low voltage mounting canopy for single fixture. 5" [127mm] square.



**M0041**

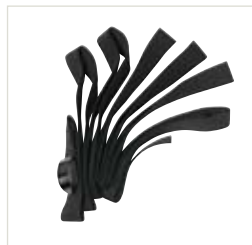
Low voltage mounting canopy for two (2) fixtures. 5" [127mm] square.

## TREE MOUNT ACCESSORIES



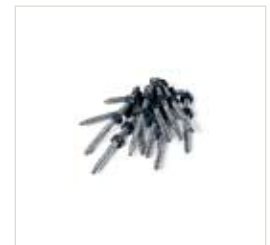
**TM1H**

Low voltage tree mount canopy. Bronze finish. Combination lag screws with hex nuts included.



**TMS10**

Nylon Tree Strap-Black – A non-intrusive way of mounting line or low voltage bulky fixture to a tree. 10-ft. [3.05m], field-cut to length. Nylon strap [7/8" wide] with high strength, durable ABS adjustable fastener: 500 lbs strength test. Use with: TMC2H (line voltage) TM1H (low voltage).



**MF1**

Pack of twelve (12) combination galvanized lag screws with hex nuts for attaching canopies and ballast boxes in trees.

## WIRE



**SCW100-12**

Low Voltage Cable – Single Circuit 12V, 2 conductor, 12 gauge, 100-ft.

**SCW500-12**

Low Voltage Cable – Single Circuit 12V, 2 conductor, 12 gauge, 500-ft.

**SCW500-10**

Low Voltage Cable – Single Circuit 12V, 2 conductor, 10 gauge, 500-ft.

## MISCELLANEOUS



**MA2**

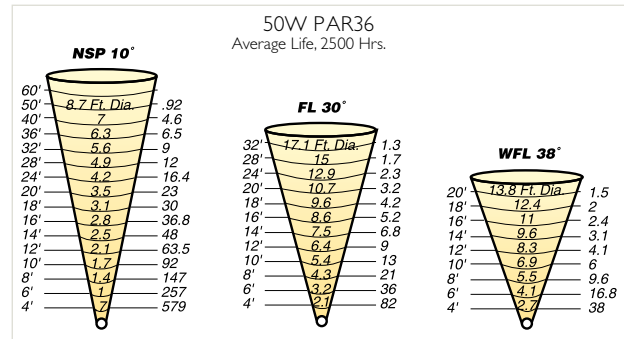
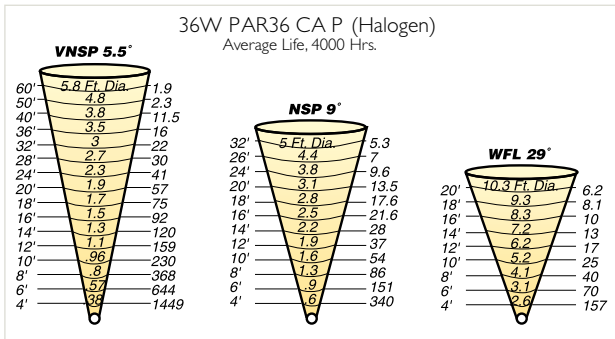
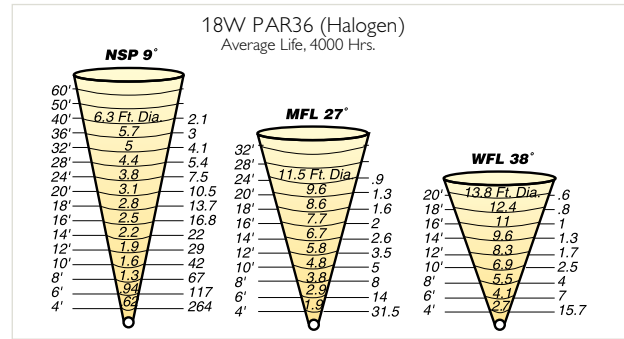
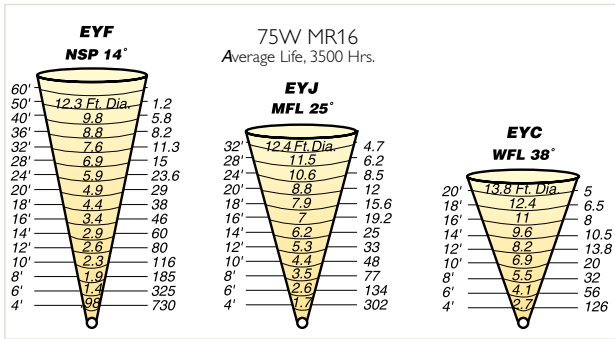
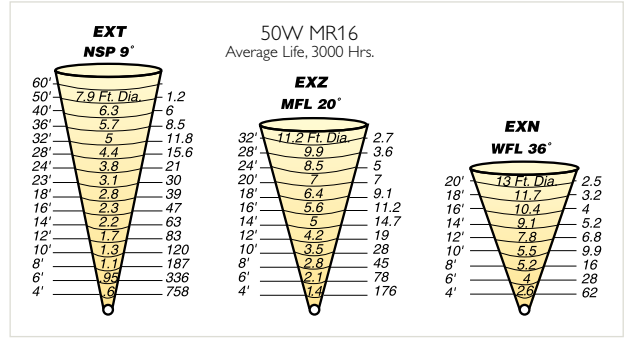
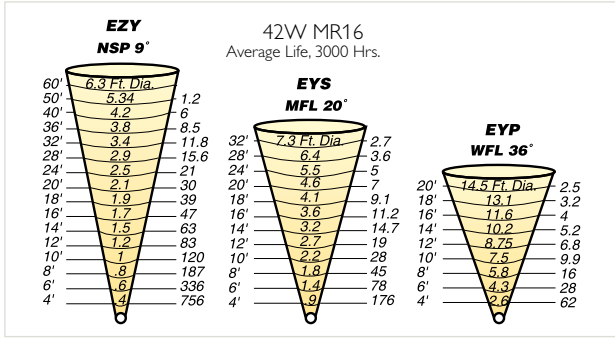
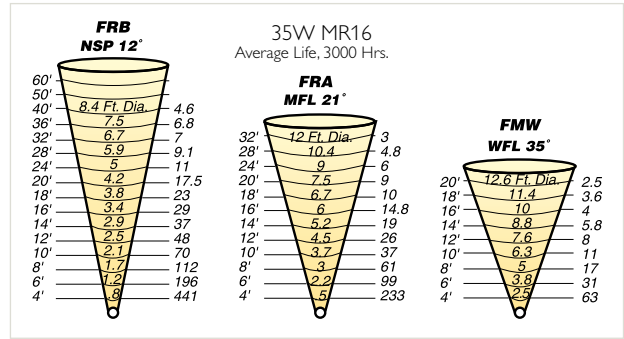
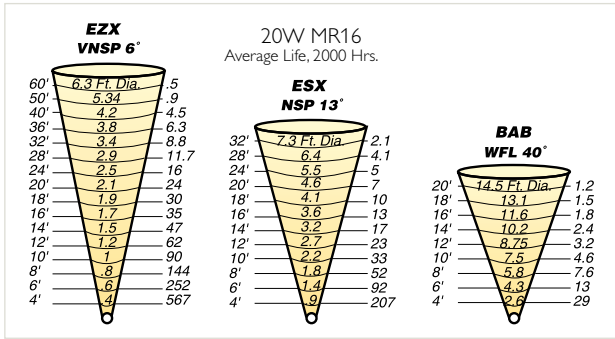
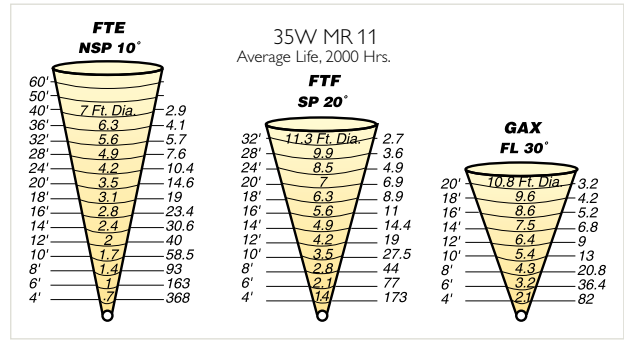
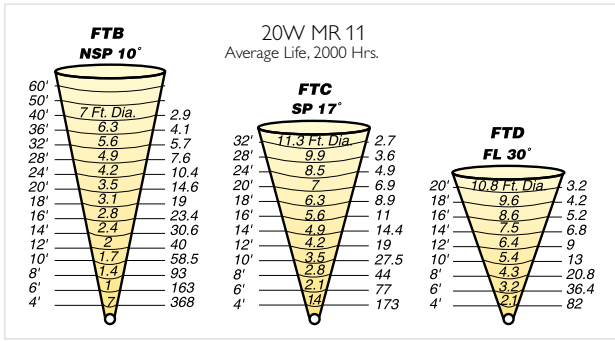
Marker flags. Vinyl 3" [76mm] x 5" [127mm] on 18" [457mm] stem with area for writing model numbers and lamp numbers.



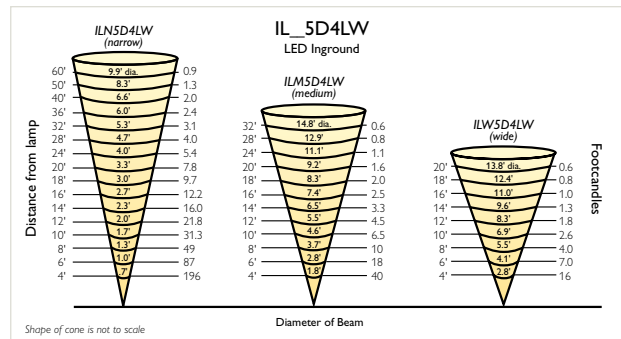
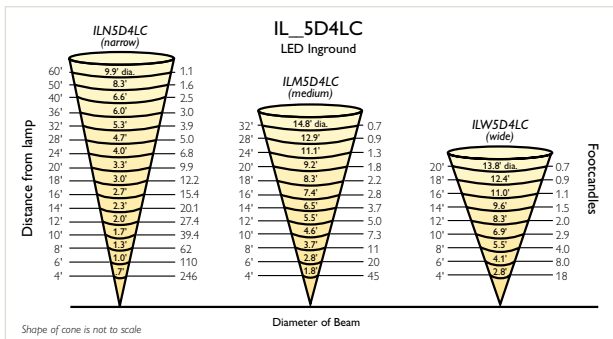
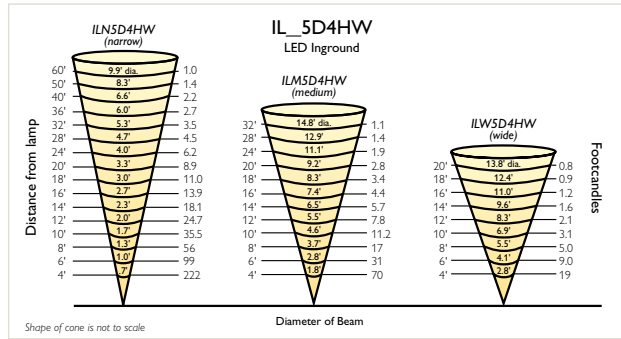
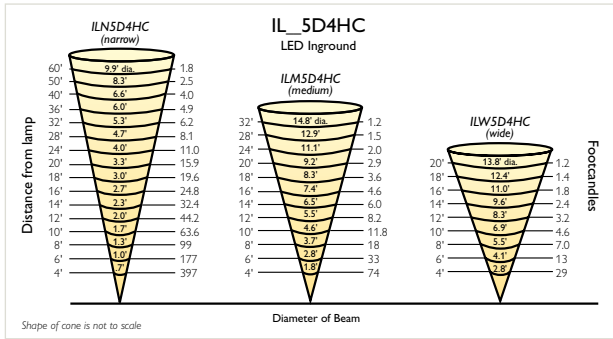
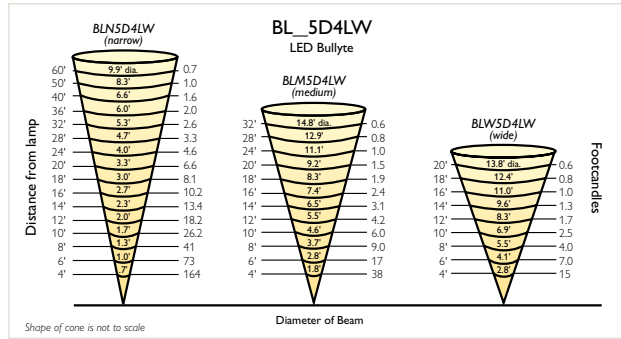
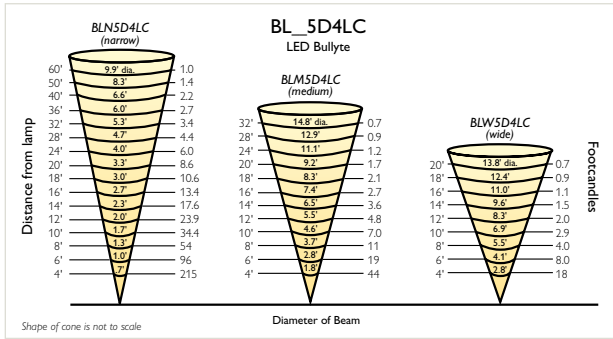
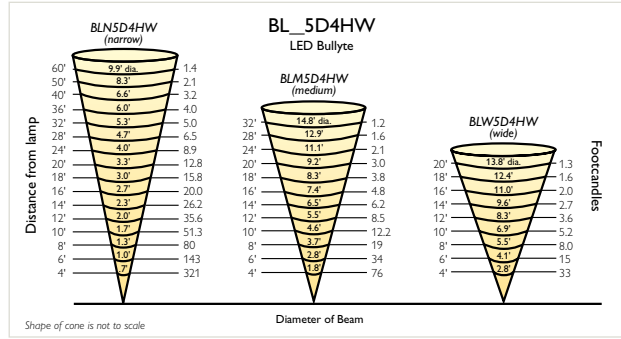
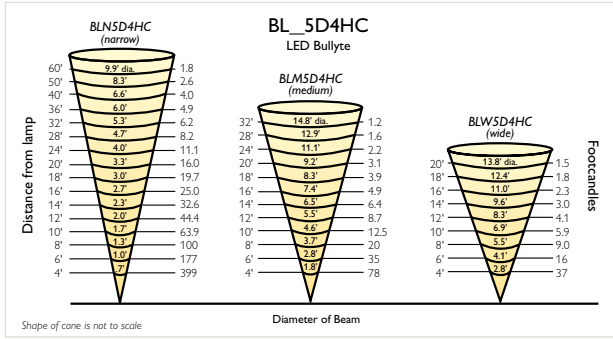
**MA4**

Corrosion preventive compound. Two-ounce tube. Specially formulated non-conductive sealant and corrosion preventative. For use on sockets and electrical contacts.

# PHOTOMETRIC DATA



# PHOTOMETRIC DATA



# Line Voltage Accent Lighting

For ultimate flexibility in large-scale or commercial projects, count on Philips Hadco accent products to give you all the options.

We engineer our fixtures to create possibilities, not to limit them. That's why our accent lights can accommodate incandescent, fluorescent or HID lighting.

You can also rely on Philips Hadco to offer the control you need ... from integral stepdown transformers to our variety of shroud styles. And our selection of remote ballasts gives you the freedom to place our fixtures virtually anywhere in your design.







## BT711 ALUMINUM

BT711-A Black      BT711-G Verde  
BT711-H Bronze

- 120 Volt
- 35 watt maximum (MR11)
- 20 watt maximum (T3 halogen)
- 1/2" NPS fitter
- Integral stepdown transformer

**HOUSING** – Die-cast aluminum with fully adjustable swivel arm, with vibration-proof locking teeth.

**SHROUD** – Fully-rotatable, gasketed, cast aluminum.

**FINISH** – Black thermoset, hand-rubbed verde antiqued over black thermoset powdercoat, or bronze thermoset powdercoat.


**LENS** – Clear tempered glass.

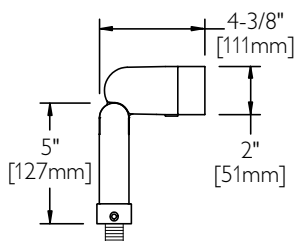
**SOCKET** – Ceramic bi-pin (G4).

**ELECTRICAL** – Stepdown transformer reduces line voltage to 12 volts. Transformer is potted/encapsulated and features thermal overload protection. Can be used with energy-efficient halogen lamps.

Wiring – Pre-wired with #18 AWG black, white and ground.

ETL, cETL Listed.

catalog no.	description
 ML7	Louver



## BT5016 ALUMINUM

BT5016-A Black      BT5016-G Verde  
BT5016-H Bronze

- 120 Volt
- MR16 Lamp
- 50 watt maximum
- 1/2" NPS fitter
- Integral stepdown transformer

**HOUSING** – Die-cast marine-grade aluminum with fully-adjustable swivel arm, with vibration-proof locking teeth.

**SHROUD** – Fully-rotatable, gasketed, cast marine-grade aluminum.

**FINISH** – Black thermoset, hand-rubbed verde antiqued over black thermoset powdercoat, or bronze thermoset powdercoat.





**LENS** – Clear tempered glass affixed at 10° angle for natural cleaning.

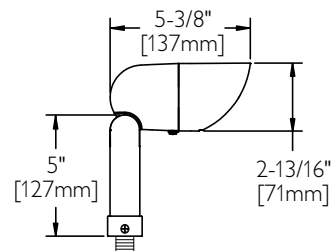
**SOCKET** – Ceramic bi-pin (GU5.3).

**ELECTRICAL** – Stepdown transformer reduces line voltage to 12 volts. Transformer is potted/encapsulated and features thermal overload protection. Can be used with energy-efficient halogen lamp.

**WIRING** – Pre-wired with #18 AWG black, white and ground.

ETL, cETL Listed.

catalog no.	description	catalog no.	description
 ICG16	Louver	 ISL16	Spread Lens
 IBL16	Ice Blue Lens	 IAS16	Linear Spread Lens





## BT1 ALUMINUM (LONG SHROUD)

**BT1-AL** Black                      **BT1-HL** Bronze

- 120 Volt
- 75 watt maximum
- MR16 Lamp
- 1/2" NPS fitter
- Integral stepdown transformer

**HOUSING** – Die-cast aluminum with fully-adjustable swivel arm, with vibration-proof locking teeth.

**SHROUD** – Fully-rotatable, gasketed, cast aluminum.

**FINISH** – Black or bronze thermoset powdercoat.





**LENS** – Clear, tempered glass.

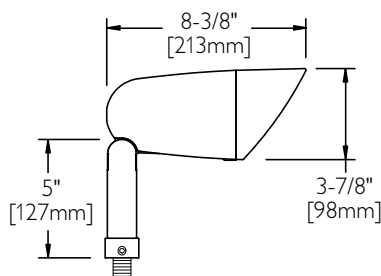
**SOCKET** – Ceramic bi-pin (GU5.3).

**ELECTRICAL** – Stepdown transformer reduces line voltage to 12 volts. Transformer is potted/encapsulated and features thermal overload protection. Can be used with energy-efficient halogen lamp.

**WIRING** – Pre-wired with #18 AWG black, white and ground.

ETL, cETL Listed.

catalog no.	description	catalog no.	description
 ICG16	Louver	 ISL16	Spread Lens
 IBL16	Ice Blue Lens	 IAS16	Linear Spread Lens



## BT1 ALUMINUM (SHORT SHROUD)

**BT1-AS** Black                      **BT1-HS** Bronze

- 120 Volt
- 75 watt maximum
- MR16 Lamp
- 1/2" NPS fitter
- Integral stepdown transformer

**HOUSING** – Die-cast aluminum with fully-adjustable swivel arm, with vibration-proof locking teeth.

**SHROUD** – Fully-rotatable, gasketed, cast aluminum.

**FINISH** – Black or bronze thermoset powdercoat.





**LENS** – Clear, tempered glass.

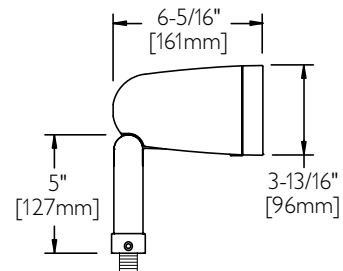
**SOCKET** – Ceramic bi-pin (GU5.3).

**ELECTRICAL** – Stepdown transformer reduces line voltage to 12 volts. Transformer is potted/encapsulated and features thermal overload protection. Can be used with energy-efficient halogen lamp.

**WIRING** – Pre-wired with #18 AWG black, white and ground.

ETL, cETL Listed.

catalog no.	description	catalog no.	description
 ICG16	Louver	 ISL16	Spread Lens
 IBL16	Ice Blue Lens	 IAS16	Linear Spread Lens



# BULLYTES



## B1 ALUMINUM

**B1-A** Black                      **B1-G** Verde                      **B1-H** Bronze

**B1-T** Speckled Stone           **B1-U** Sienna

- 120 Volt
- 1/2" NPS fitter
- PAR/R20 Lamp (R & HID lamp requires shroud)
- 100 watt maximum
- Shrouds optional

**BALLAST** – Remote ballast housing available for HID models. Please see remote ballast ordering guide on page 129.

**HOUSING** – Die-cast aluminum with fully-adjustable swivel arm with vibration-proof locking teeth.

**SHROUDS** – Die-cast aluminum, provided with lens and silicone O-ring. (See ordering chart below.)

**FINISH** – Black thermoset, hand-rubbed verde antiqued over black thermoset powdercoat, bronze, speckled stone or sienna thermoset powdercoat.

**LENS** – Provided with optional shrouds only.

**SOCKET** – High temperature porcelain medium base.

**WIRING** – Pre-wired with high temperature #18 wire.

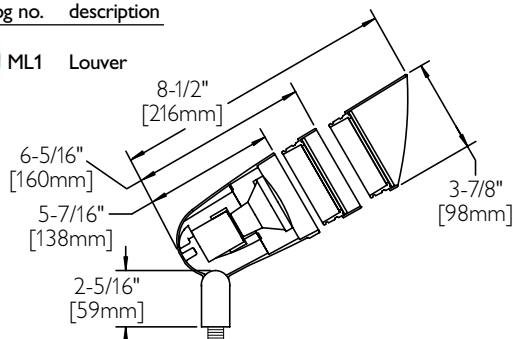
ETL, cETL Listed.

### ORDERING GUIDE FOR OPTIONAL SHROUDS

	Finish		
	(A) Black		
	(G) Verde	Lens	
	(H) Bronze	Shroud	(B) Convex Ice Blue
Size	(T) Speckled Stone	(L) Long	(C) Convex Clear
(1) Small (B1)	(U) Sienna	(S) Short	(O) Flat/Clear
1	(Specify)	(Specify)	(Specify)

catalog no.    description

**ML1**    Louver



## B1 BRASS

**B1-NL** Natural Brass           **B1-OBL** Oiled Brass

- 120 Volt
- 100 watt maximum
- PAR20 or R20 Lamp
- 1/2" NPS fitter
- Long shroud included

**BALLAST** – Remote ballast housing available for HID models. Please see remote ballast ordering guide on page 129.

**HOUSING** – Die-cast brass with fully-adjustable swivel arm with vibration-proof locking teeth.

**SHROUD** – Fully-rotatable, gasketed, die-cast brass.

**FINISH** – Natural brass or oiled brass.

**LENS** – Flat, clear tempered glass.

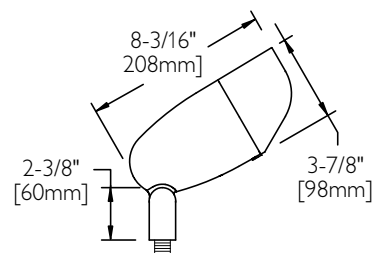
**SOCKET** – High temperature porcelain medium base.

**WIRING** – Pre-wired with high temperature #18 wire.

ETL, cETL Listed.

catalog no.    description

**ML1**    Louver





## BU1 COMPOSITE

**BU1-A** Black

**BU1-G** Verde

**BU1-H** Bronze

- 120 Volt
- PAR/R20 Lamp (R & HID lamp requires shroud)
- 1/2" NPS fitter
- Shrouds optional
- 50 watt maximum

**BALLAST** – Remote ballast housing available for HID models. Please see remote ballast ordering guide on page 129.

**HOUSING** – One-piece injection molded Ultem® High Performance Polymer with fully-adjustable swivel arm with vibration-proof locking teeth.

**FINISH** – Color impregnated material in black or bronze, hand-rubbed verde antiqued over black.

**LENS** – Provided with optional shrouds only.

**SOCKET** – High temperature porcelain medium base.

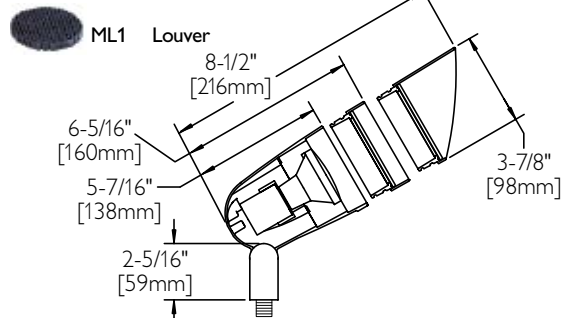
**WIRING** – Pre-wired with high temperature #18 wire.

ETL, cETL Listed.

### ORDERING GUIDE FOR OPTIONAL SHROUDS

Size	Finish	Shroud	Shroud
	(A) Black (G) Verde (H) Bronze	(L) Long (S) Short	(B) Convex Ice Blue (C) Convex Clear (O) Flat/Clear
1U	(Specify)	(Specify)	(Specify)

catalog no. description



## B3 ALUMINUM

**B3-A** Black

**B3-G** Verde

**B3-H** Bronze

- 120 Volt
- 100 watt maximum
- PAR/R30 Lamps
- 1/2" NPS fitter
- Long shroud included

**BALLAST** – Remote ballast housing available or HID models. Please see remote ballast ordering guide on page 129.

**HOUSING** – Die-cast aluminum with fully-adjustable swivel arm with vibration-proof locking teeth.

**SHROUD** – Fully-rotatable, gasketed, die-cast aluminum.

**FINISH** – Black thermoset, hand-rubbed verde antiqued over black thermoset powdercoat, or bronze thermoset powdercoat.

**LENS** – Clear tempered glass permanently affixed at 10° angle for natural cleaning.

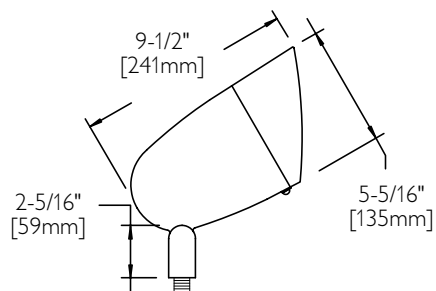
**SOCKET** – High temperature porcelain medium base.

**WIRING** – Pre-wired with high temperature #18 wire.

ETL, cETL Listed.

catalog no. description

**ML3** Louver



# BULLYTES



## BU3 COMPOSITE

**BU3-A** Black                      **BU3-G** Verde

**BU3-H** Bronze

- 120 Volt
- 75 watt maximum
- PAR/R30 Lamps
- 1/2" NPS fitter
- Long shroud included

**BALLAST** – Remote ballast housing available for HID models. Please see remote ballast ordering guide on page 129.

**HOUSING** – One-piece injection molded Ultem® High Performance Polymer with fully-adjustable swivel arm with vibration-proof locking teeth.

**SHROUD** – Fully-rotatable, gasketed, injection molded Ultem® High Performance Polymer.

**FINISH** – Color impregnated material in black or bronze hand-rubbed verde antiqued over black.

**LENS** – Clear tempered glass permanently affixed at 10° angle for natural cleaning.

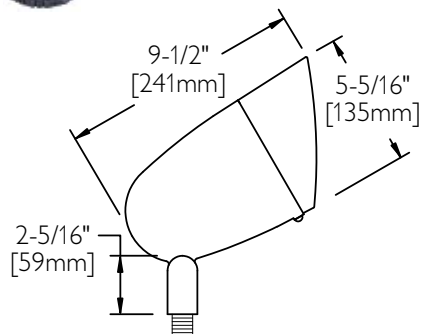
**SOCKET** – High temperature porcelain medium base.

**WIRING** – Pre-wired with high temperature #18 wire.

ETL, cETL Listed.

catalog no.    description

 ML3    Louver



## 1020 ALUMINUM

**1020-H** Bronze

- 120 Volt
- 150 watt maximum
- PAR38 Lamp
- 1/2" NPS fitter

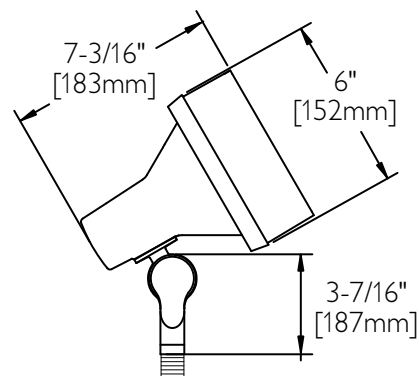
**HOUSING** – Cast aluminum construction with fully adjustable swivel arm with vibration-proof locking teeth.

**FINISH** – Bronze thermoset powdercoat finish.

**SOCKET** – Porcelain medium base.

**WIRING** – Pre-wired with high temperature #18 wire.

ETL, cETL Listed.





## B4 BRASS

### Non Reflector Models    HID Reflector Models

**B4-NL** Natural Brass  
**B4-OBL** Oiled Brass

**BN4-NL** Natural Brass, Narrow Reflector  
**BN4-OBL** Oiled Brass, Narrow Reflector  
**BW4-NL** Natural Brass, Wide Reflector  
**BW4-OBL** Oiled Brass, Wide Reflector

- 300 watt maximum incandescent
- 150 watt maximum HID\*
- PAR38/R40 Lamp, non reflector model
- E17 Lamp, reflector models
- 1/2" NPS fitter                      • Long shroud

**BALLAST** – Remote ballast housing available for HID models. Please see remote ballast ordering guide on page 129.

**HOUSING** – Die-cast brass with fully adjustable swivel arm with vibration-proof locking teeth.

**SHROUD** – Fully-rotatable with silicone O-ring gasket, die-cast brass.

**FINISH** – Natural brass or oiled brass.

**LENS** – BN4, BW4, flat clear tempered glass.

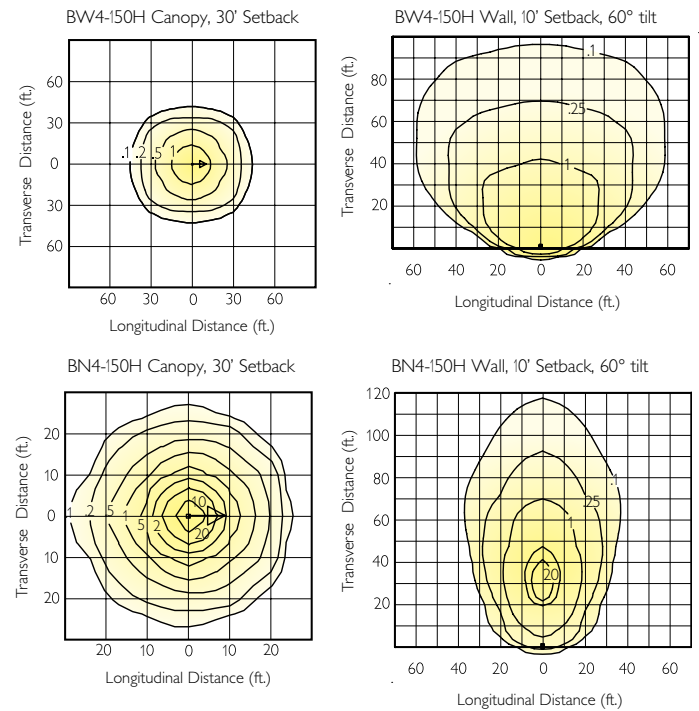
**SOCKET** – Porcelain medium base.

**WIRING** – Pre-wired with high temperature #18 wire.

ETL, cETL Listed.

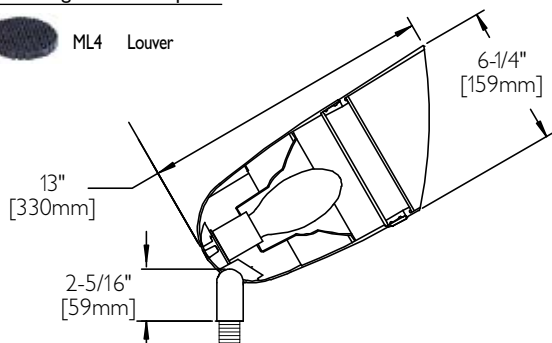
\*150w HID cannot be oriented in a straight downward vertical position.

## PHOTOMETRIC INFORMATION



### catalog no.    description

**ML4** Louver



# BULLYTES

Accent Lighting



**B4 ALUMINUM** (no shroud)

**B4 ALUMINUM** (short shroud)

**Incandescent Models**

- B4-A** Black
- B4-G** Verde
- B4-H** Bronze

**HID Reflector Models**

- BN4-AL** Black, Long Shroud, Narrow Reflector
- BN4-HL** Bronze, Long Shroud, Narrow Reflector
- BN4-AS** Black, Short Shroud, Narrow Reflector
- BN4-HS** Bronze, Short Shroud, Narrow Reflector
- BW4-AL** Black, Long Shroud, Wide Reflector
- BW4-HL** Bronze, Long Shroud, Wide Reflector
- BW4-AS** Black, Short Shroud, Wide Reflector
- BW4-HS** Bronze, Short Shroud, Wide Reflector

- 300 watt maximum incandescent (R40 Lamp)
- 150 watt maximum HID\*
- PAR38/R40 Lamp (HID or R Lamp, must order shroud, below)
- E17 Lamp, reflector models
- 1/2" NPS fitter
- Shrouds optional

**BALLAST** – Remote ballasts required for HID lamps. Please see remote ballast ordering guide on page 129.

**HOUSING** – Die-cast aluminum with fully-adjustable swivel arm with vibration-proof locking teeth.

**SHROUD** – Fully-rotatable with silicone O-ring gasket, die-cast aluminum. B4, shroud is optional (see ordering information below); BN4, BW4, shroud included.

**FINISH** – Black thermoset powdercoat, hand-rubbed verde antiqued over black thermoset powdercoat, or bronze thermoset powdercoat.

**LENS** – BN4, BW4 clear convex tempered glass included with shroud.

**SOCKET** – Porcelain medium base.

**WIRING** – Pre-wired with high temperature #18 wire.

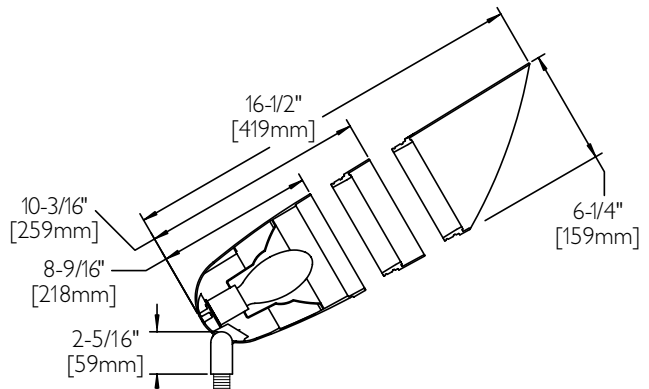
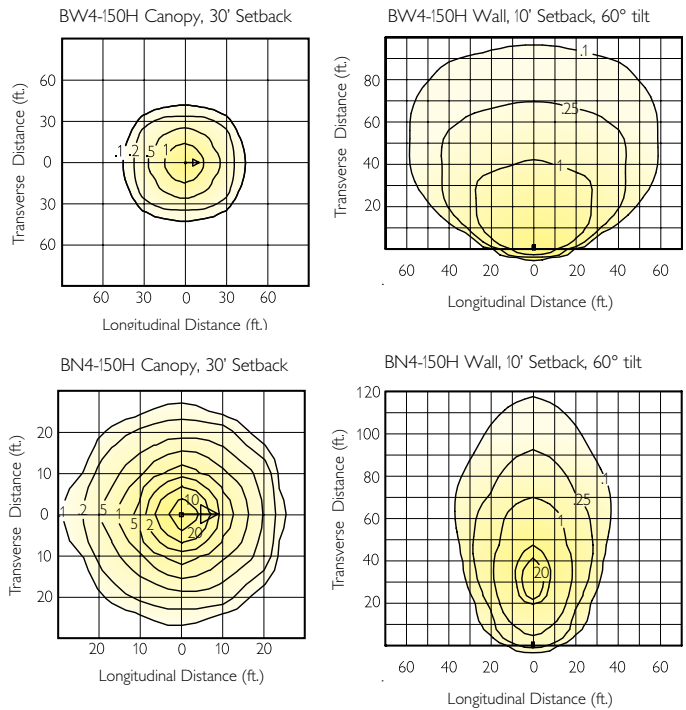
ETL, cETL Listed.

\*150w HID cannot be oriented in a straight downward vertical position.

**ORDERING GUIDE FOR OPTIONAL SHROUDS**

Size	Finish	Shroud	Lens
(4) Large (B4)	(A) Black	(L) Long	(B) Convex Ice Blue
	(G) Verde	(S) Short	(C) Convex Clear
	(H) Bronze	(O) Flat/Clear	
4	(Specify)	(Specify)	(Specify)

**PHOTOMETRIC INFORMATION**





## B4 ALUMINUM (long shroud)

### Fluorescent Models

- BF432-AL** Black, Long Shroud, 32W CFL
- BF432-HL** Bronze, Long Shroud, 32W CFL
- BF432-AS** Black, Short Shroud, 32W CFL
- BF432-HS** Bronze, Short Shroud, 32W CFL
- BF426-AL** Black, Long Shroud, 26W CFL
- BF426-HL** Bronze, Long Shroud, 26W CFL
- BF426-AS** Black, Short Shroud, 26W CFL
- BF426-HS** Bronze, Short Shroud, 26W CFL
- BF418-AL** Black, Long Shroud, 18W CFL
- BF418-HL** Bronze, Long Shroud, 18W CFL
- BF418-AS** Black, Short Shroud, 18W CFL
- BF418-HS** Bronze, Short Shroud, 18W CFL

- 32 watt maximum
- Compact fluorescent lamp
- 1/2" NPS fitter
- Long or short shroud

**HOUSING** – Die-cast aluminum with fully-adjustable swivel arm with vibration-proof locking teeth.

**SHROUD** – Fully-rotatable with silicone O-ring gasket, die-cast aluminum.

**FINISH** – Black or bronze thermoset powdercoat.

**LENS** – Clear convex tempered glass included with shroud.

**SOCKET** – 32 and 26w: GX24q-3; 18w: GX24q-2

**REFLECTOR** – Spun aluminum flood reflector.

**BALLAST** – Integral electronic fluorescent ballast, 120 volt feed. Min. -20°C start temp. Contact factory for other voltage options.

**WIRING** – Pre-wired with high temperature #18 wire. ETL, cETL Listed.

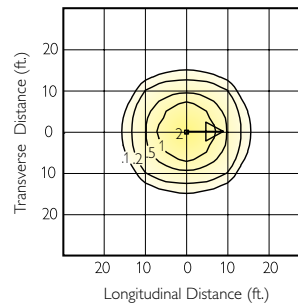


catalog no. description

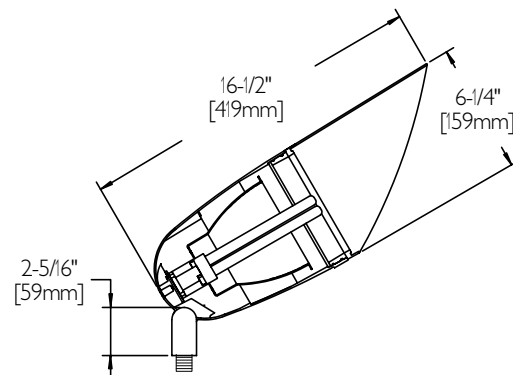
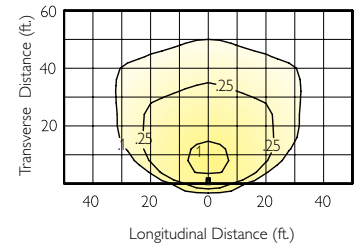
**ML4** Louver

### PHOTOMETRIC INFORMATION

BF432 Canopy, 10' Setback



BF432 Wall, 10' Setback, 60° tilt



# BULLYTES

Accent Lighting



**BU4 COMPOSITE** (long shroud)

**BU4 COMPOSITE** (no shroud)

**Incandescent Models**

- BU4-A** Black
- BU4-G** Verde
- BU4-H** Bronze

**HID Reflector Models**

- BUN4-AL** Black, Long Shroud, Narrow Reflector
- BUN4-HL** Bronze, Long Shroud, Narrow Reflector
- BUN4-AS** Black, Short Shroud, Narrow Reflector
- BUN4-HS** Bronze, Short Shroud, Narrow Reflector
- BUW4-AL** Black, Long Shroud, Wide Reflector
- BUW4-HL** Bronze, Long Shroud, Wide Reflector
- BUW4-AS** Black, Short Shroud, Wide Reflector
- BUW4-HS** Bronze, Short Shroud, Wide Reflector

- 175 watt maximum incandescent (BU4 models)
- 100 watt maximum HID\* (BUN4 and BUW4 models)
- PAR38/R40 Lamp (HID or R Lamp, must order shroud, below)
- E17 Lamp, reflector models
- 1/2" NPS fitter

• Shrouds optional. See below.

**BALLAST** – Remote ballasts required for HID lamps. Please see remote ballast ordering guide on page 129.

**HOUSING** – One-piece injection molded Ultem® High Performance Polymer, with fully-adjustable swivel arm with vibration-proof locking teeth.

**SHROUD** – One-piece injection molded Ultem® High Performance Polymer with silicone O-ring gasket. Lens is siliconed into shroud. BU4, shroud optional (see ordering information below); BUN4, BUW4, shroud included.

**FINISH** – Color impregnated material in black or bronze, hand-rubbed Verde over black.

**LENS** – BUN4, BUW4 clear convex tempered glass included with shroud.

**SOCKET** – Porcelain medium base.

**WIRING** – Pre-wired with high temperature #18 wire.

catalog no. description



ML4 Louver

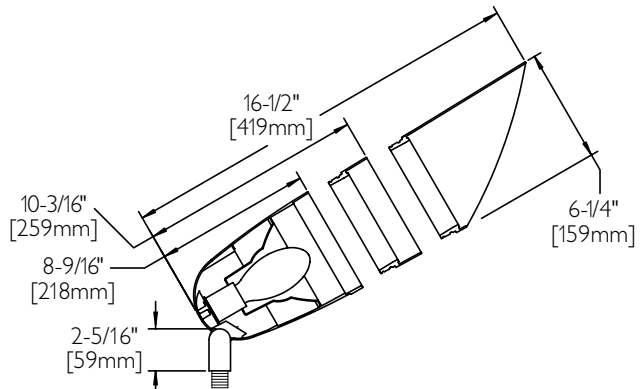
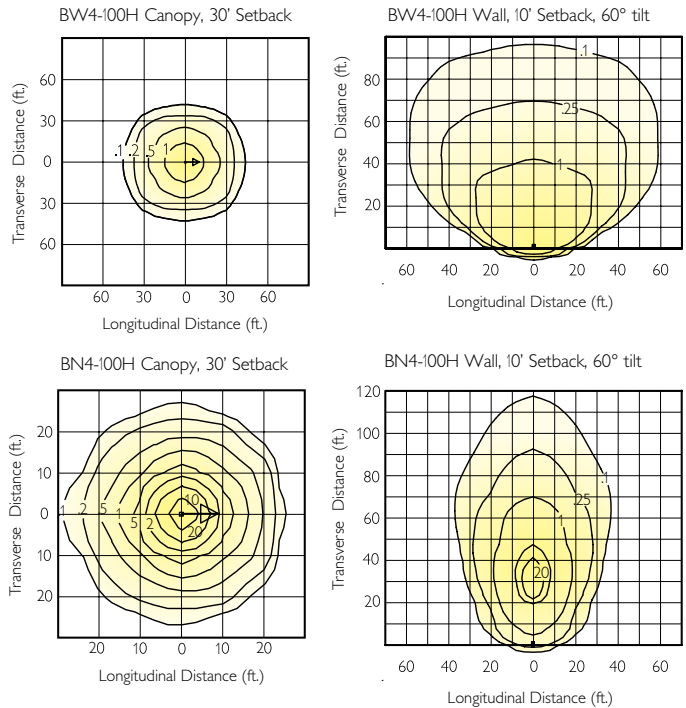
ETL, cETL Listed.

\*100w HID cannot be oriented in a straight downward vertical position.

**ORDERING GUIDE FOR OPTIONAL SHROUDS**

Size	Finish	Shroud	Lens
(4) Large (BU4)	(A) Black (G) Verde (H) Bronze	(L) Long (S) Short	(B) Convex Ice Blue (C) Convex Clear (O) Flat/Clear
4U	(Specify)	(Specify)	(Specify)

**PHOTOMETRIC INFORMATION**





## BU4 COMPOSITE (long shroud)

### Fluorescent Models

- BUF432-AL Black, Long Shroud, 32W CFL
- BUF432-HL Bronze, Long Shroud, 32W CFL
- BUF432-AS Black, Short Shroud, 32W CFL
- BUF432-HS Bronze, Short Shroud, 32W CFL
- BUF426-AL Black, Long Shroud, 26W CFL
- BUF426-HL Bronze, Long Shroud, 26W CFL
- BUF426-AS Black, Short Shroud, 26W CFL
- BUF426-HS Bronze, Short Shroud, 26W CFL
- BUF418-AL Black, Long Shroud, 18W CFL
- BUF418-HL Bronze, Long Shroud, 18W CFL
- BUF418-AS Black, Short Shroud, 18W CFL
- BUF418-HS Bronze, Short Shroud, 18W CFL

- 32 watt maximum
- Compact fluorescent lamp
- 1/2" NPS fitter
- Long or short shroud

**HOUSING** – One-piece injection molded Ultem® High Performance Polymer with fully-adjustable swivel arm with vibration-proof locking teeth.

**SHROUD** – One-piece injection molded Ultem® High Performance Polymer with silicone O-ring gasket. Lens is siliconed into shroud.

**FINISH** – Color impregnated material in black or bronze.

**LENS** – Clear convex tempered glass included with shroud.

**SOCKET** – 26 and 32w: GX24q-3; 18w: GX24q-2

**REFLECTOR** – Spun aluminum flood reflector.

**BALLAST** – Integral electronic fluorescent ballast, 120 volt feed. Min. -20°C start temp. Contact factory for other voltage options.

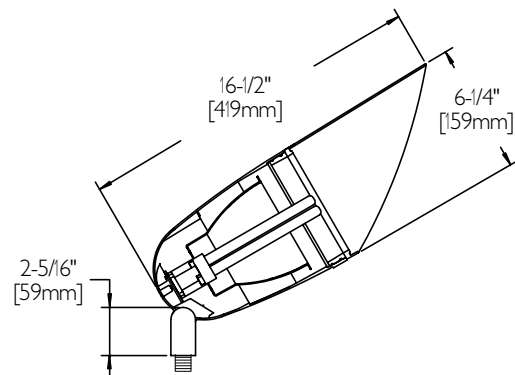
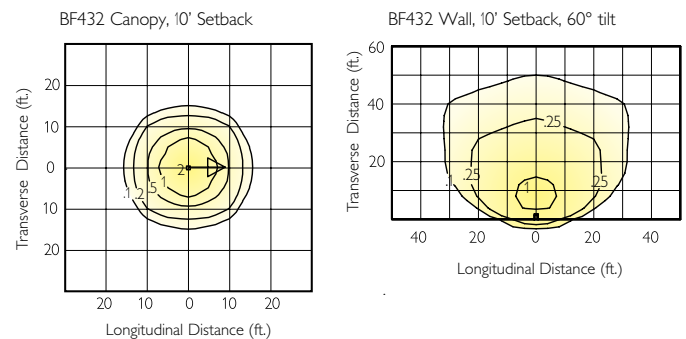
**WIRING** – Pre-wired with high temperature #18 wire.

ETL, cETL Listed.

catalog no.	description
ML4	Louver



### PHOTOMETRIC INFORMATION



# REMOTE BALLASTS



## ABH ABOVE GROUND

**ELECTRICAL** – 120V standard. Contact factory for other voltages. Long range ignitor standard. Core and coil ballast encapsulated for moisture resistance.

**HOUSING** – Above ground: Zinc-plated steel thermoset powder-coated black with stainless steel screws

**INSTALLATION** – Housing must be mounted at least one (1) foot above ground level.

**CERTIFICATION** – ETL/cETL Listed to US and Canadian safety standards for wet locations.

### Metal Halide HID Ballast Boxes

Model Number Above Ground	(Dimensions)	Description	Max. Distance to Lamp
ABH351	6-1/4"W, 10-3/8"H	(1) 35w MH	15 ft.
ABH501	6-1/4"W, 10-3/8"H	(1) 50w MH	25 ft.
ABH701	6-1/4"W, 10-3/8"H	(1) 70w MH	25 ft.
ABH1001	6-1/4"W, 10-3/8"H	(1) 100w MH	25 ft.
ABH1501	6-1/4"W, 10-3/8"H	(1) 150w MH	25 ft.

Consult factory for fixture mounting options.  
(factory recommended drilling and tapping)  
Consult factory for recommended maximum distance to lamp.  
Can be extended to 50 ft. if used with a long range ignitor.



## IBH INGROUND

**ELECTRICAL** – 120V standard. Contact factory for other voltages. Long range ignitor standard. Core and coil ballast encapsulated for moisture resistance.

**HOUSING** – Fiberglass reinforced composite with composite lid, silicone gasket and stainless screws.

**INSTALLATION** – Bury with minimum 3" gravel around housing for drainage. Seal conduit entry with duct seal and potting compound. Lid must be visible for access.

**CERTIFICATION** – ETL/cETL Listed to US and Canadian safety standards for wet locations.

### Metal Halide HID Ballast Boxes

Model Number Inground	(Dimensions)	Description	Max. Distance to Lamp
IBH351	9-5/8" Dia., 12-1/4"H	(1) 35w MH	15 ft.
IBH501	9-5/8" Dia., 12-1/4"H	(1) 50w MH	25 ft.
IBH701	9-5/8" Dia., 12-1/4"H	(1) 70w MH	25 ft.
IBH1001	9-5/8" Dia., 12-1/4"H	(1) 100w MH	25 ft.
IBH1501	9-5/8" Dia., 12-1/4"H	(1) 150w MH	25 ft.

Consult factory for fixture mounting options.  
(factory recommended drilling and tapping)  
Consult factory for recommended maximum distance to lamp.  
Can be extended to 50 ft. if used with a long range ignitor.

# REMOTE BALLASTS



## Metal Halide HID Ballast Boxes

Model Number	(Dimensions)	Description	Finish
WBH351A	7-5/32" Dia., 4-1 3/32" H	(1) 35w MH	Black
WBH351H	7-5/32" Dia., 4-1 3/32" H	(1) 35w MH	Bronze
WBH701A	7-5/32" Dia., 4-1 3/32" H	(1) 70w MH	Black
WBH701H	7-5/32" Dia., 4-1 3/32" H	(1) 70w MH	Bronze
WBH1001A	7-5/32" Dia., 4-1 3/32" H	(1) 100w MH	Black
WBH1001H	7-5/32" Dia., 4-1 3/32" H	(1) 100w MH	Bronze

### WB WALL MOUNT

Shown with BW4 Bullyte (not included)

**ELECTRICAL** – 120V Standard.  
Contact factory for other voltages.  
Long range ignitor standard. Core and coil ballast encapsulated for moisture resistance.

**HOUSING** – Cast Aluminum housing and backplate, with stainless steel mounting screws, 1/2" NPS threaded center.

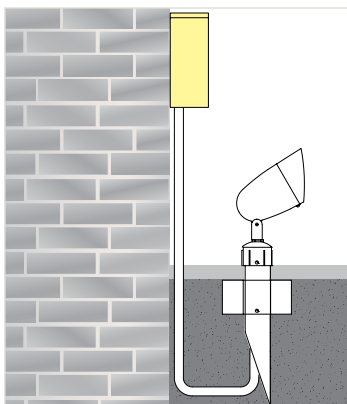
**FINISH** – Black or bronze thermoset powdercoat.

**INSTALLATION** – Mount at least one 1' above ground, over recessed junction box (multiple j-box mounting options).  
After mounting fixture to canopy, attach backplate to canopy and seal with silicone (provided), to prevent moisture intrusion.

**CERTIFICATION** – UET/cETL Listed to US and Canadian Standards for wet locations.

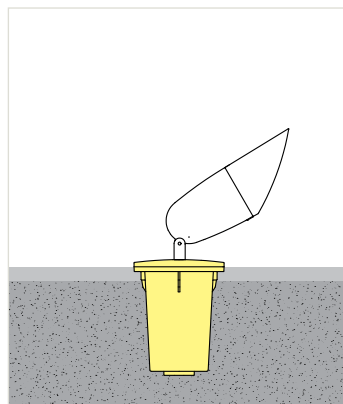
### SUGGESTED APPLICATIONS:

#### ABH Above Ground



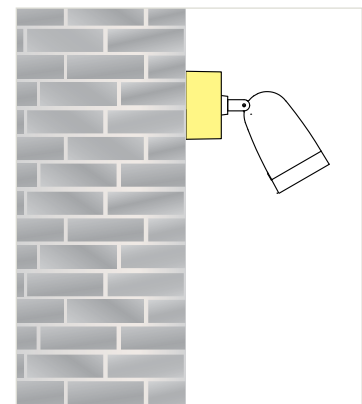
Shown with S3 Perma Post and B3 Bullyte (not included).

#### IBH Inground



3" minimum drainage gravel (by others.)  
Shown with B4 Bullyte (not included).

#### WB Wall Mount



Shown with BW4 Bullyte (not included).

# Line Voltage Flood Lighting

With floodlytes as small as 20 watts, as large as 300 watts, and everything in between, Philips Hadco gives you the flexibility to install just the right illumination in any application.

Whether your goal is sign lighting or security, we give you the lamping options and accessories you'll need to get the job done.





  
UNIVERSITY VILLAGE  
AN AMERICAN CAMPUS COMMUNITY

# FLOODLYTES



## WAMT14(F)\* ALUMINUM

WAMT14-A Black      WAMT14-H Bronze

- 120 Volt
- 50 watt maximum
- T4 Halogen lamp (50 watt included)
- 1/2" NPS fitter
- Integral stepdown transformer

**HOUSING** – Cast aluminum with fully-adjustable swivel arm, with vibration-proof locking teeth.

**SHROUD** – Gasketed, cast aluminum.

**FINISH** – Black or bronze thermoset powdercoat.

**LENS** – Clear or Frosted, tempered glass, fully-gasketed.

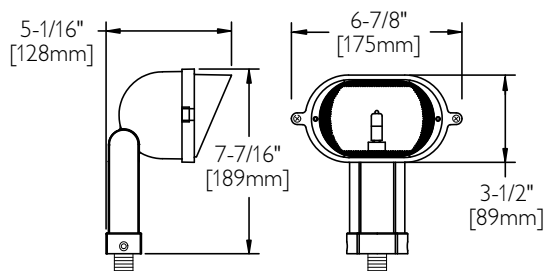
**SOCKET** – Ceramic bi-pin (GU6.35).

**ELECTRICAL** – Stepdown transformer reduces line voltage to 12 volts. Transformer is potted/encapsulated and features thermal overload protection.

**WIRING** – Pre-wired with #18 AWG black, white and ground.

ETL, cETL Listed.

catalog no.	description
MW12	Cutoff Louver



\* (F) denotes optional Frosted Lens



## WBMT14(F)\* ALUMINUM

WBMT14-A Black      WBMT14-H Bronze

- 120 Volt
- 50 watt maximum
- T4 Halogen lamp (50 watt included)
- 1/2" NPS fitter
- Integral stepdown transformer

**HOUSING** – Cast aluminum with fully-adjustable swivel arm, with vibration-proof locking teeth.

**TRIM RING** – Gasketed, cast aluminum.

**FINISH** – Black or bronze thermoset powdercoat.

**LENS** – Clear or Frosted, tempered glass, fully-gasketed.

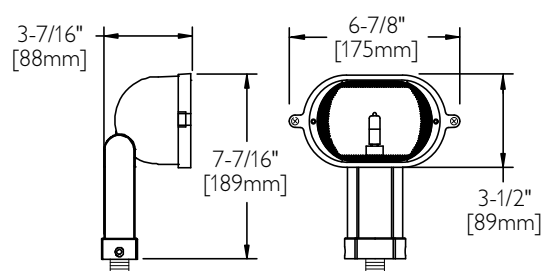
**SOCKET** – Ceramic bi-pin (GU6.35).

**ELECTRICAL** – Stepdown transformer reduces line voltage to 12 volts. Transformer is potted/encapsulated and features thermal overload protection.

**WIRING** – Pre-wired with #18 AWG black, white and ground.

ETL, cETL Listed.

catalog no.	description	catalog no.	description
MW12	Cutoff Louver	MW11	Barn Doors



\* (F) denotes optional Frosted Lens



## WAM1(F)\* ALUMINUM

- WAM1-A Black                      WAM1-B White
- WAM1-G Verde                    WAM1-H Bronze

- 120 Volt
- 75 watt maximum
- T3 Halogen lamp
- 1/2" NPS fitter

**HOUSING** – Die-cast aluminum housing with fully adjustable swivel arm (1/2" NPS) with vibration-proof locking teeth.

**SHROUD** – Die-cast aluminum with silicone gasket for waterproof seal.

**FINISH** – Black thermoset, hand-rubbed verde antiqued over black thermoset powdercoat, bronze or white thermoset powdercoat.

**LENS** – 1/8" Clear or Frosted tempered glass is silicined to the shroud.

**SOCKET** – Mini-can screw base.

**WIRING** – Pre-wired with high temperature #18 wire.

ETL, cETL Listed.

## WBM1(F)\* ALUMINUM

- WBM1-A Black                      WBM1-B White
- WBM1-G Verde                    WBM1-H Bronze

- 120 Volt
- 75 watt maximum
- T3 Halogen lamp
- 1/2" NPS fitter

**HOUSING** – Die-cast aluminum with fully-adjustable swivel arm, with vibration-proof locking teeth.

**TRIM RING** – Die-cast aluminum with silicone gasket for waterproof seal.

**FINISH** – Black thermoset, hand-rubbed verde antiqued over black thermoset powdercoat, bronze or white thermoset powdercoat.

**LENS** – 1/8" Clear or Frosted tempered glass is silicined to the shroud.

**SOCKET** – Mini-can screw base.

**WIRING** – Pre-wired with #18 AWG black, white and ground.

ETL, cETL Listed.

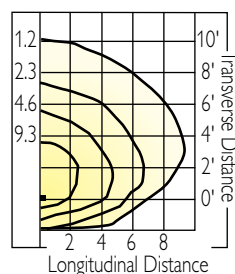
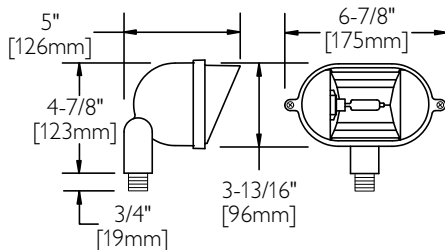
catalog no. description



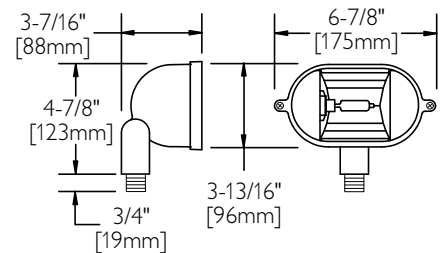
MW12 Cutoff Louver

catalog no. description catalog no. description

MW12 Cutoff Louver MW11 Barn Doors



**PHOTOMETRIC INFORMATION WBM1**  
 Lamp Wattage 75W  
 Setback 12'  
 Tilt 45°



### ISOFOOTCANDLE CONVERSIONS

Lamp	Lumens	Setback or Mtg. Ht.						
		2'	4'	6'	8'	10'	12'	14'
35w T3	700	18.7	4.7	2.1	1.2	0.7	0.5	0.4
60w T3	1150	30.3	7.6	3.4	1.9	1.2	0.8	0.6
75w T3	1350	37.2	9.3	4.1	2.4	1.4	1.0	0.7

\* (F) denotes optional Frosted Lens

\* (F) denotes optional Frosted Lens

# FLOODLYTES



## WAF1/WAF13 FLUORESCENT

WAF1-A Black    WAF1-B White    WAF1-G Verde    WAF1-H Bronze  
 WAF13-A Black    WAF13-B White    WAF13-G Verde    WAF13-H Bronze

- 120 Volt
- 1/2" NPS fitter
- WAF1 – 18 watt maximum, WAF13 – 13 watt maximum
- WAF1 – two (2) PL9 lamps, WAF13 – one (1) PL13 lamp

**HOUSING** – Die-cast aluminum housing with fully-adjustable swivel arm (1/2" NPS) with vibration-proof locking teeth.

**SHROUD** – Die-cast aluminum shroud with silicone gasket for weatherproof seal.

**FINISH** – Black thermoset, hand-rubbed verde antiqued over black thermoset powdercoat, bronze or white thermoset powdercoat.

**LENS** – 1/8" borosilicate glass is sealed to the door frame with a one-piece molded silicone gasket and spring clips.

**REFLECTOR** – Formed from aluminum, painted with high reflectance white paint.

**SOCKET** – Two (2) G23 (WAF1), or GX23 (WAF13) base, mounted directly to reflector assembly.

**BALLAST** – Integral core and coil, NPF, Class B, starting temperature 25°F (WAF1) and 32°F (WAF13).

**ACCESSORIES** – Accessories are available for this product. Please see Floodlyte Accessory Section on page 145.

ETL, cETL Listed.



## WA1 ALUMINUM

WA1-A Black    WA1-B White  
 WA1-G Verde    WA1-H Bronze

- 120 Volt
- A19 Lamp
- 75 watt maximum
- 1/2" NPS fitter

**HOUSING** – Die-cast aluminum housing with fully adjustable swivel arm (1/2" NPS) with vibration-proof locking teeth.

**SHROUD** – Single die-cast aluminum shroud with silicone gasket for weatherproof seal.

**FINISH** – Black thermoset, hand-rubbed verde antiqued over black thermoset powdercoat, bronze or white thermoset powdercoat.

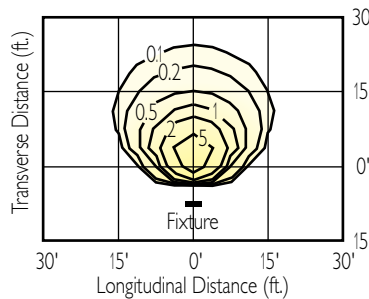
**LENS** – 1/8" borosilicate glass is siliconed to the shroud.

**SOCKET** – Medium base.

**WIRING** – Pre-wired with high temperature #18 wire.

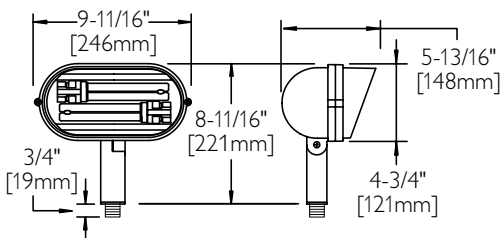
**ACCESSORIES** – Accessories are available for this product. Please see Floodlyte Accessory Section on page 145.

ETL, cETL Listed.



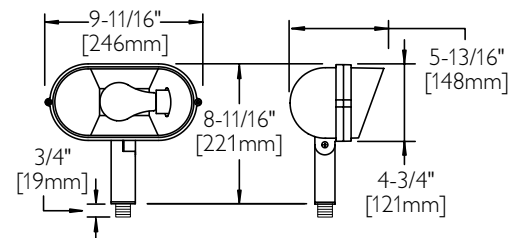
## PHOTOMETRIC INFORMATION WAF1

Lamp Wattage 18w (2) PL9  
 Setback 6'  
 Tilt 45°



## ISOFOOTCANDLE CONVERSIONS

Lamp	Lumens	Setback or Mtg. Ht.					
		2'	4'	6'	8'	10'	12'
75w A19	1190	3.5	0.9	0.4	0.2	.14	0.1
18w (2) PL9	1200	3.5	0.9	0.4	0.2	.14	0.1
13w PL13	900	2.6	.68	.56	.17	.11	.07





## WA2 HID

**HOUSING** – One-piece aluminum extrusion with architecturally styled rounded die-cast aluminum sides. Integral hinged lens bracket pivots down for lens removal and relamping. Silicone gasket between the housing and lens provides a long-lasting weathertight seal.

**FINISH** – Black thermoset, hand-rubbed verde antiqued over black thermoset powdercoat, bronze or white thermoset powdercoat.

**REFLECTOR** – Formed from highly reflective hammertone aluminum and semi-specular kick plates. Reflector assembly is secured to the housing with four (4) stainless steel screws.

**SOCKET** – Mounted directly onto the reflector assembly and UL recognized for appropriate lamps, rated for 4 kv.

**ELECTRICAL COMPONENTS** – Mounted directly to the housing and prewired with leads extending from the swivel arm. All electrical components are UL, cUL recognized.

**BALLAST** – Ballasts (HID) are regulating with power factors better than 90% (HPF) and provide +/- 5% lamp power regulation with +/- 10% input voltage regulation. Ballasts are factory wired and tested.

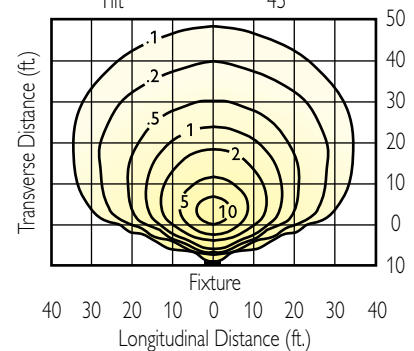
**MOUNTING** – Aluminum die-cast. Locking teeth provide adjustment by tightening one (1) stainless steel recessed screw. 1/2-14" NPS threaded nipple provides secure mounting. Aiming up to a 60° backtilt. Fixtures used outdoors must be protected from rain and sprinklers if aimed downward.

**ACCESSORIES** – Accessories are available for this product. Please see Floodlyte Accessory Section on page 145.

ETL, cETL Listed.

### PHOTOMETRIC INFORMATION

Lamp Wattage 70W HPS  
Setback 10'  
Tilt 45°

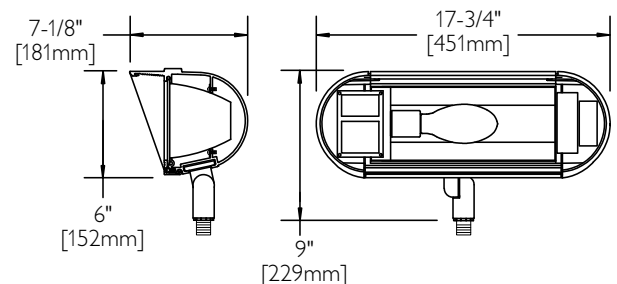


### ISOFOOTCANDLE CONVERSIONS

Lamp	Lumens	Setback or Mtg. Ht.						
		2'	4'	6'	8'	10'	12'	14'
35w HPS	2250	8.8	2.2	.98	.55	.35	.24	.18
50w HPS	4000	15.6	3.9	1.7	.98	.63	.43	.32
70w HPS	6400	25.0	6.3	2.8	1.6	1	.69	.51
50w MH	3400	13.3	3.3	1.5	.83	.53	.37	.27
70w MH	5500	21.5	5.4	2.4	1.3	.86	.6	.44

## ORDERING GUIDE

Series	Finish (A) Black (B) White (G) Verde (H) Bronze	Wattage	Voltage (E) 120V (H) 277V	Wattage	Lamp	Total Lumen Output	Lamp Life (Hrs.)
WA2	(Specify)	35S	(Specify)	35w HPS	E17	2250	24000
WA2	(Specify)	50S	(Specify)	50w HPS	E17	4000	24000
WA2	(Specify)	70S	(Specify)	70w HPS	E17	6400	24000
WA2	(Specify)	50H	(Specify)	50w MH	E17	3400	5000
WA2	(Specify)	70H	(Specify)	70w MH	E17	5500	5000



# FLOODLYTES



## WA2 FLUORESCENT

## WA2 FLUORESCENT

## WA2 FLUORESCENT

**HOUSING** – One-piece aluminum extrusion with architecturally styled rounded die-cast aluminum sides. Integral hinged lens bracket pivots down for lens removal and relamping. Silicone gasket between the housing and lens provides a long-lasting weathertight seal.

**FINISH** – Black thermoset, hand-rubbed verde antiqued over black thermoset powdercoat, bronze or white thermoset powdercoat.

**REFLECTOR** – Formed from highly reflective hammertone aluminum and semi-specular kick plates. Reflector assembly is secured to the housing with four (4) stainless steel screws.

**ELECTRICAL COMPONENTS** – Mounted directly to the housing and prewired with leads extending from the swivel arm. All electrical components are UL, cUL recognized.

**SOCKET** – Mounted directly onto the reflector assembly and are UL recognized for appropriate lamps, rated for 4 kv.

**BALLAST** – Ballasts are regulating with power factors better than 90% (HPF). Ballasts shall provide +/- 5% lamp power regulation with +/- 10% input voltage regulation. Ballasts are factory wired and tested.

**MOUNTING** – Aluminum die-cast. Locking teeth provide adjustment by tightening one (1) stainless steel recessed screw. 1/2-14" NPSM stainless steel threaded nipple provides secure mounting. Aiming up to a 60° backtilt. Fixtures used outdoors must be protected from rain and sprinklers if aimed downward.

**ACCESSORIES** – Accessories are available for this product. Please see Floodlyte Accessory Section on page 145.

ETL, cETL Listed.

## ORDERING GUIDE

Catalog Number	Finish (A) Black (B) White (G) Verde (H) Bronze	Wattage	Voltage (E) 120V (H) 277V	Total		Min Start Temp	Total Lumen Output	Lamp Life (Hrs)	Socket	Fixture Housing Length
				Wattage	Lamp					
WA2	(Specify)	CF213	(Specify)	26w	(2)13CFL	0°C	1600	10000	GX23	17-3/4"
WA2	(Specify)	CF226	(Specify)	52w	(2)26CFL	-20°C	3600	10000	GX24q-3	17-3/4"
WA2	(Specify)	CF232	(Specify)	64w	(2)32CFL	-20°C	4800	10000	GX24q-3	17-3/4"
WA2	(Specify)	F40BX	(Specify)	40w	Biax	10°C	3150	20000	2G11	30-3/4"
WA2	(Specify)	F240BX	(Specify)	80w	(2) Biax	10°C	6300	20000	2G11	30-3/4"
WA2	(Specify)	F240BXCW	(Specify)	80w	(2) Biax	0°C	6300	20000	2G11	30-3/4"
WA2	(Specify)	F50BX	(Specify)	50w	Biax	0°C	4000	12000	2G11	30-3/4"
WA2	(Specify)	F250BX	(Specify)	100w	(2) Biax	0°C	8000	12000	2G11	30-3/4"
WA2	(Specify)	F32	(Specify)	32w	T8	10°C	2950	20000	G13	55-1/2"
WA2	(Specify)	F232	(Specify)	64w	(2) T8	10°C	5900	20000	G13	55-1/2"

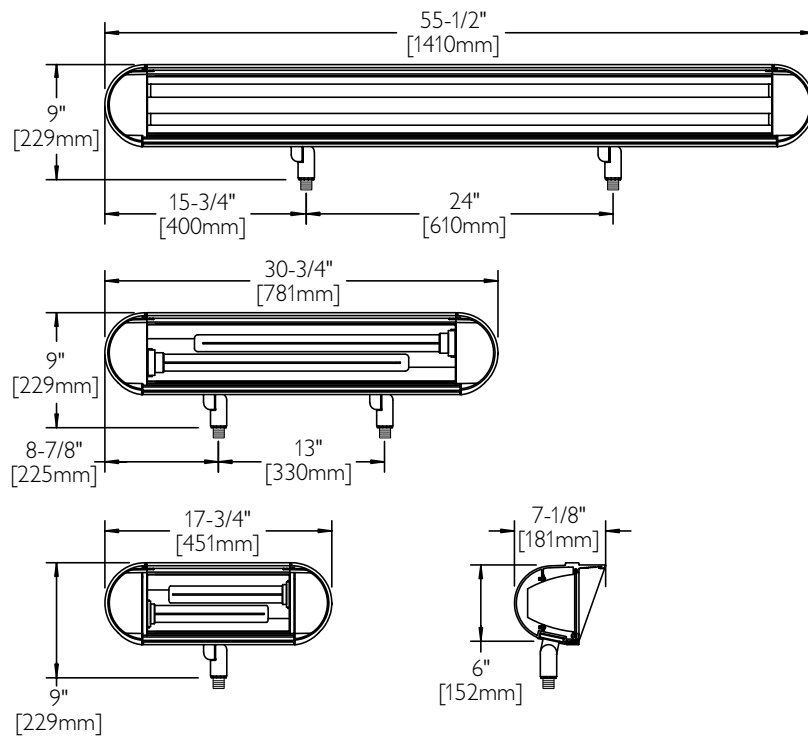
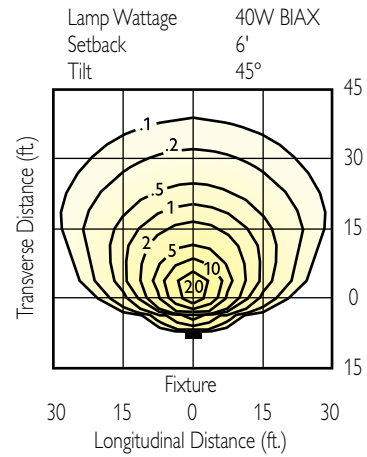
## PHOTOMETRIC INFORMATION

### ISOFOOTCANDLE CONVERSIONS

Lamp	Lumens	Setback or Height					
		2'	4'	6'	8'	10'	12'
32w T8	2950	8.7	2.2	0.9	.58	.35	.24
64w T8	5900	17.4	4.4	1.8	1.06	0.7	.48

### ISOFOOTCANDLE CONVERSIONS

Lamp	Lumens	Setback or Height					
		2'	4'	6'	8'	10'	12'
26w (2)PL13	1800	5.3	1.4	.59	.35	.21	.15
52w (2)PL26	3600	9.8	2.9	1.2	.70	.42	.29
40w Biax	3150	9.3	2.3	1.0	.58	.37	.26
80w (2)Biax	6300	18.6	4.7	2.1	1.2	.74	.52
50w Biax	4000	11.8	3.0	1.3	0.7	.47	.33
100w (2)Biax	8000	23.6	5.9	2.6	1.5	.95	.66



# FLOODLYTES



**WA3-HF**



**WB3-HF**

**HOUSING** – One-piece aluminum die-casting. Integral cast hinge with stainless steel pins is concealed internally and allows easy access for relamping. One-piece molded silicone gasket between the housing and door frame provides a long-lasting weathertight seal.

**DOOR FRAME** – One-piece die-cast aluminum. WA3 – long shroud with tapered sides is part of the door frame. Hinged door frame is secured to housing by four (4) stainless steel recessed captive phillips-head screws.

**WA3** – Long shroud with tapered sides as part of the door frame. Hinged door frame is secured to the housing by four (4) stainless steel recessed captive phillips-head screws.

**FINISH** – Black thermoset, hand-rubbed verde antiqued over black thermoset powdercoat, bronze or white thermoset powdercoat.

**REFLECTOR** – Formed from highly reflective hammertone aluminum and semi-specular kick plates. Reflector assembly is secured to the housing with four (4) stainless steel screws.

**LENS** – 1/8" tempered glass and is sealed to the door frame with a one-piece molded silicone gasket and spring clips.

**SOCKET** – Mounted directly onto the reflector assembly and are UL recognized for appropriate lamps, rated for 4 kv.

**ELECTRICAL COMPONENTS** – Mounted directly to the housing and prewired with leads extending from the swivel arm. All electrical components are UL, cUL recognized.

**BALLAST** – Ballasts (HID) are regulating with power factors better than 90% (HPF). Ballasts shall provide +/- 5% lamp power regulation with +/- 10% input voltage regulation.

**MOUNTING** – Aluminum die-cast. Locking teeth provide adjustment by tightening one (1) stainless steel recessed screw. 1/2-14" NPS threaded nipple provides secure mounting.

**ACCESSORIES** – Accessories are available for this product. Please see Floodlyte Accessories Section on page 145.

ETL, cETL Listed.

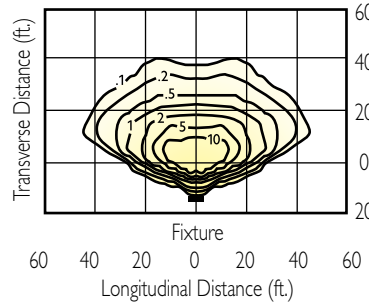
# FLOODLYTES

## ISOFOOTCANDLE CONVERSIONS

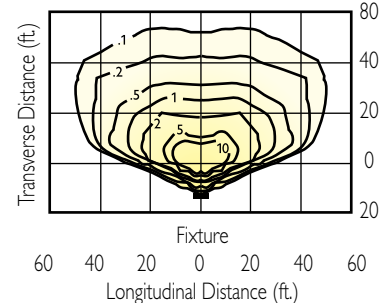
Lamp	Lumens	Setback or Mtg. Height									
		4'	6'	8'	10'	12'	14'	16'	18'	20'	
70w HPS	6400	2.5	1.11	.63	.40	.28	.20	.16	.12	.10	
100w HPS	9500	3.7	1.6	.93	.59	.41	.30	.23	.18	.15	
150w HPS	16000	6.3	2.8	1.6	1.0	.69	.51	.39	.31	.25	
70w MH	5500	2.1	.95	.54	.34	.24	.18	.13	.11	.09	
100w MH	7200	2.8	1.2	.70	.45	.31	.23	.18	.14	.11	
150w MH	14000	5.5	2.4	1.4	.88	.61	.45	.34	.27	.22	
300w Inc.	10450	4.1	1.8	1.0	.65	.45	.33	.25	.20	.16	

## PHOTOMETRIC INFORMATION

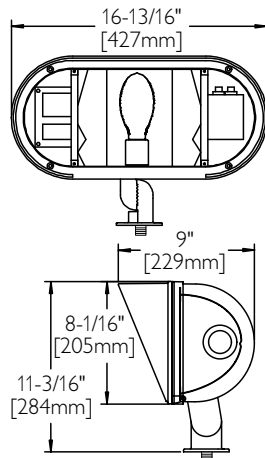
WA3-HF  
Horizontal Flood w/ Shroud  
Lamp Wattage 150W HPS  
Setback 10'  
Tilt 37-1/2°



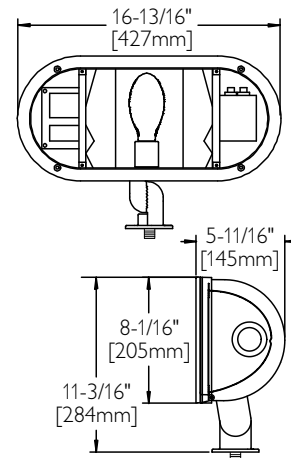
WB3-HF  
Horizontal Flood w/o Shroud  
Lamp Wattage 150W HPS  
Setback 10'  
Tilt 37-1/2°



## WA3-HF



## WB3-HF



## ORDERING GUIDE

Series	Finish	Optics	Photo Control	Wattage	Voltage	Wattage
WA3	(A) Black	(Horiz. Flood)	(Y or N)	70S	(E) 120V	70w HPS
WB3	(B) White			100S	(F) 208V	100w HPS
	(G) Verde			150S	(G) 240V	150w HPS
	(H) Bronze			70H	(H) 277V	70w MH
				100H	(K) 347V	100w MH
				150H		150w MH
				300Q	E Only	300w qrtz.T-4 mini-can

# FLOODLYTES



**WA3-VF**



**WB3-VF**

**HOUSING** – One-piece aluminum die-casting. Integral cast hinge with stainless steel pins is concealed internally and allows easy access for relamping. One-piece molded silicone gasket between the housing and door frame provides a long-lasting weathertight seal.

**DOOR FRAME** – One-piece die-cast aluminum. WA3 – long shroud with tapered sides is part of the door frame. Hinged door frame is secured to housing by four (4) stainless steel recessed captive phillips-head screws.

**WA3** – Long shroud with tapered sides as part of the door frame. Hinged door frame is secured to the housing by four (4) stainless steel recessed captive phillips-head screws.

**FINISH** – Black thermoset, hand-rubbed verde antiqued over black thermoset powdercoat, bronze or white thermoset powdercoat.

**REFLECTOR** – Formed from highly reflective hammertone aluminum and semi-specular kick plates. Reflector assembly is secured to the housing with four (4) stainless steel screws.

**LENS** – 1/8" tempered glass and is sealed to the door frame with a one-piece molded silicone gasket and spring clips.

**SOCKET** – Mounted directly onto the reflector assembly and are UL recognized for appropriate lamps, rated for 4 kv.

**ELECTRICAL COMPONENTS** – Mounted directly to the housing and prewired with leads extending from the swivel arm. All electrical components are UL, cUL recognized.

**BALLAST** – Ballasts (HID) are regulating with power factors better than 90% (HPF). Ballasts shall provide +/- 5% lamp power regulation with +/- 10% input voltage regulation.

**MOUNTING** – Aluminum die-cast. Locking teeth provide adjustment by tightening one (1) stainless steel recessed screw. 1/2-14" threaded nipple provides secure mounting.

**ACCESSORIES** – Accessories are available for this product. Please see Floodlyte Accessories Section on page 145.

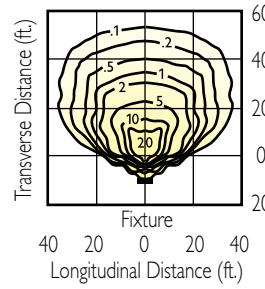
ETL, cETL Listed.

## ISOFOOTCANDLE CONVERSIONS

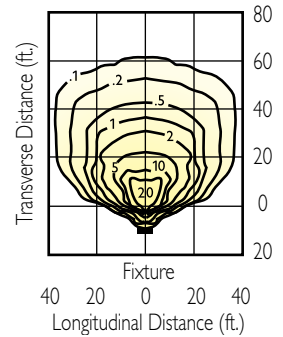
Lamp	Lumens	Setback or Mtg. Height									
		4'	6'	8'	10'	12'	14'	16'	18'	20'	
70w HPS	6400	2.5	1.11	.63	.40	.28	.20	.16	.12	.10	
100w HPS	9500	3.7	1.6	.93	.59	.41	.30	.23	.18	.15	
150w HPS	16000	6.3	2.8	1.6	1	.69	.51	.39	.31	.25	
250w HPS	27500	10.8	4.8	2.8	1.7	1.2	.88	.67	.53	.43	
70w MH	5500	2.1	.95	.54	.34	.24	.18	.13	.11	.09	
100w MH	7200	2.8	1.2	.70	.45	.31	.23	.18	.14	.11	
150w MH	14000	5.5	2.4	1.4	.88	.61	.45	.34	.27	.22	
250w MH	20500	8.1	3.6	2.1	1.3	.88	.65	.50	.40	.32	
300w Inc.	10450	4.1	1.8	1.0	.65	.45	.33	.25	.20	.16	

## PHOTOMETRIC INFORMATION

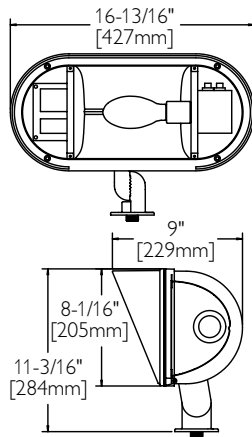
WA3-VF  
Horizontal Flood w/ Shroud  
Lamp Wattage 150W HPS  
Setback 10'  
Tilt 45°



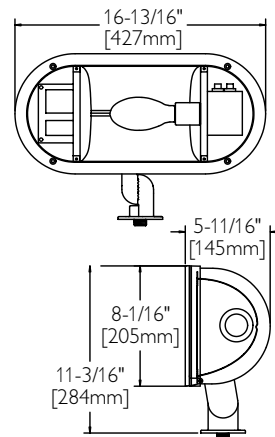
WB3-VF  
Horizontal Flood w/o Shroud  
Lamp Wattage 150W HPS  
Setback 10'  
Tilt 45°



### WA3-VF



### WB3-VF



## ORDERING GUIDE

Series	Finish	Optics	Photo Control	Wattage	Voltage	Wattage
WA3	(A) Black (B) White (G) Verde (H) Bronze	(Horiz. Flood)	(Y or N)	70S 100S 150S 250S* 70H 100H 150H 250H* 300Q	(E) 120V (F) 208V (G) 240V (H) 277V (K) 347V	70w HPS 100w HPS 150w HPS 250w HPS 70w MH 100w MH 150w MH 250w MH 300w qrtz.T-4 mini-can
(Specify)	(Specify)	VF	(Specify)	(Specify)	(Specify)	(Specify)
(Specify)	(Specify)	VF	(Specify)	(Specify)	(Specify)	(Specify)
(Specify)	(Specify)	VF	(Specify)	(Specify)	(Specify)	(Specify)
(Specify)	(Specify)	VF	(Specify)	(Specify)	(Specify)	(Specify)
(Specify)	(Specify)	VF	(Specify)	(Specify)	(Specify)	(Specify)
(Specify)	(Specify)	VF	(Specify)	(Specify)	(Specify)	(Specify)
(Specify)	(Specify)	VF	(Specify)	(Specify)	(Specify)	(Specify)
(Specify)	(Specify)	VF	(Specify)	(Specify)	(Specify)	(Specify)
(Specify)	(Specify)	VF	(Specify)	(Specify)	(Specify)	(Specify)

\*250 watt ballast must be remote mounted.

# FLOODLYTES



**WA3-HS**



**WB3-HS**

**HOUSING** – One-piece aluminum die-casting. Integral cast hinge with stainless steel pins is concealed internally and allows easy access for relamping. One-piece molded silicone gasket between the housing and door frame provides a long-lasting weathertight seal.

**DOOR FRAME** – One-piece die-cast aluminum. WA3 – long shroud with tapered sides is part of the door frame. Hinged door frame is secured to housing by four (4) stainless steel recessed captive phillips-head screws.

**FINISH** – Black thermoset, hand-rubbed verde antiqued over black thermoset powdercoat, bronze or white thermoset powdercoat.

**REFLECTOR** – Formed from highly reflective hammertone aluminum and semi-specular kick plates. Reflector assembly is secured to the housing with four (4) stainless steel screws.

**LENS** – 1/8" tempered glass and is sealed to the door frame with a one-piece molded silicone gasket and spring clips.

**SOCKET** – Mounted directly onto the reflector assembly and are UL recognized for appropriate lamps, rated for 4 kv.

**ELECTRICAL COMPONENTS** – Mounted directly to the housing and prewired with leads extending from the swivel arm. All electrical components are UL, cUL recognized.

**BALLAST** – Ballasts (HID) are regulating with power factors better than 90% (HPF). Ballasts shall provide +/- 5% lamp power regulation with +/- 10% input voltage regulation.

**MOUNTING** – Aluminum die-cast. Locking teeth provide adjustment by tightening one (1) stainless steel recessed screw. 1/2-14" threaded nipple provides secure mounting.

**ACCESSORIES** – Accessories are available for this product. Please see Floodlyte Accessories Section on page 145.

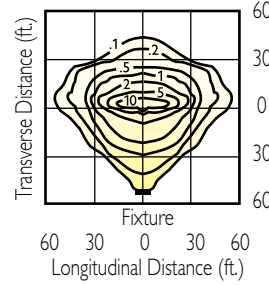
ETL, cETL Listed.

## ISOFOOTCANDLE CONVERSIONS

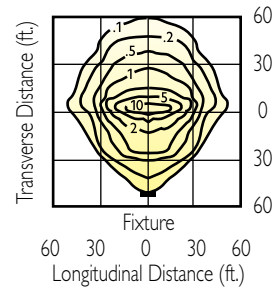
Lamp	Lumens	Setback or Mtg. Height							
		10'	15'	20'	25'	30'	35'	40'	
70w HPS	6400	3.6	1.6	.91	.58	.40	.29	.22	
100w HPS	9500	5.4	2.4	1.3	.86	.59	.43	.32	
150w HPS	16000	9.1	4.0	2.3	1.5	1.0	.73	.55	
250w HPS	27500	16	6.9	3.9	2.5	1.7	1.2	.94	
70w MH	5500	3.1	1.4	.78	.50	.34	.25	.19	
100w MH	7200	4.1	1.8	1.0	.65	.45	.33	.25	
150w MH	14000	8.0	3.5	2.0	1.3	.88	.64	.48	
250w MH	20500	12	5.1	2.9	1.9	1.3	.93	.70	
300w Inc.	10450	5.6	2.6	1.4	.90	.60	.45	.35	

## PHOTOMETRIC INFORMATION

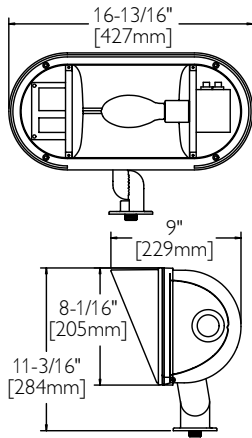
WA3-HS  
Horizontal Spot w/ Shroud  
Lamp Wattage 150W HPS  
Setback 30'  
Tilt 7-1/2°



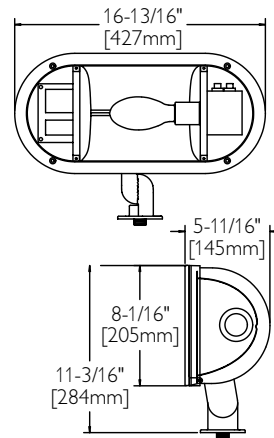
WB3-HS  
Horizontal Spot w/o Shroud  
Lamp Wattage 150W HPS  
Setback 30'  
Tilt 7-1/2°



## WA3-HS



## WB3-HS

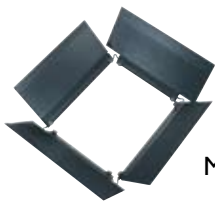


## ORDERING GUIDE

Series	Finish (A) Black (B) White (G) Verde (H) Bronze	Optics (Horiz. Flood)	Photo Control (Y or N)	Wattage	Voltage (E) 120V (F) 208V (G) 240V (H) 277V (K) 347V	Wattage
(Specify)	(Specify)	HS	(Specify)	70S	(Specify)	70w HPS
(Specify)	(Specify)	HS	(Specify)	100S	(Specify)	100w HPS
(Specify)	(Specify)	HS	(Specify)	150S	(Specify)	150w HPS
(Specify)	(Specify)	HS	(Specify)	250S*	(Specify)	250w HPS
(Specify)	(Specify)	HS	(Specify)	70H	(Specify)	70w MH
(Specify)	(Specify)	HS	(Specify)	100H	(Specify)	100w MH
(Specify)	(Specify)	HS	(Specify)	150H	(Specify)	150w MH
(Specify)	(Specify)	HS	(Specify)	250H*	(Specify)	250w MH
(Specify)	(Specify)	HS	(Specify)	300Q	E Only	300w qrtz. T-4 mini-can

\*250 watt ballast must be remote mounted.

# WA/WB SERIES ACCESSORIES



MW31

## BARN DOORS (WB3 Only)

Barn door assembly provides adjustable cutoff with hinged extruded aluminum baffle doors. Wire form mounts to pre-drilled door frame holes on the WB3 Floodlyte. Doors are locked with set screws and are individually removable. Not recommended in vandal prone areas.

Catalog No.	Finish
MW31A	Black
MW31B	White
MW31G	Verde
MW31H	Bronze



MW32

## LEXAN SHIELD

Vandal shield is constructed of 1/8" clear convex UV stabilized injection molded polycarbonate. Shield mounts to pre-drilled door frame holes on the WA3 or WB3 Floodlyte. (Barn door assembly may NOT be mounted over Lexan shield.) For use with 175W HID maximum.

Catalog No.	Description
MW32	Clear convex polycarbonate shield



MW33

## CYLINDRICAL J-BOX

Architecturally styled die-cast aluminum J-box for above grade installations. Large access cover allows easy entry into the splice compartment and for mounting a button eye photocell in the cover. Photocell may be ordered factory installed or "knock-out" may be drilled in the field and photocell installed. One-piece molded neoprene cover gasket provides a water tight seal. Cover screws are captive and countersunk. Internal ground screw is provided. On top a 1/2" NPSM is provided for fixture mounting and on the bottom two (2) 1/2" NPT for conduit entry.

Catalog No.	Finish	Description
MW33	(Specify)	Cylindrical J-Box
MW331	(Specify)	Cylindrical J-Box w/120V Button-eye photocontrol
MW332	(Specify)	Cylindrical J-Box w/277V Button-eye photocontrol
M0004	-	120V Button-eye photocontrol (field installation)
M0005	-	277V Button-eye photocontrol (field installation)



MW34

## WALL or CEILING CANOPY MOUNT

Fixture mounts to a cast aluminum mounting plate and installs on standard 4" square or octagonal J-box via galvanized steel plate. Fixture mounts with 1/2" stainless steel nipple and is locked by turning two (2) stainless steel set screws. The aluminum canopy cover provides splice access.

Catalog No.	Finish
MW34-A	Black
MW34-B	White
MW34-G	Verde
MW34-H	Bronze



TM3

## TREE MOUNT J-BOX

Cast aluminum J-box for tree mount installations. Two (2) cast ears with holes allow easy installation with galvanized lag screws with hex nuts (provided) to mount the J-box away from the tree surface. Front access cover allows easy entry into the splice compartment. On the front a 1/2" NPSM is provided for fixture mounting and four (4) 1/2" NPT equally spaced 90° on the side for conduit entry. Fixture is mounted by turning two (2) stainless steel set screws.

Catalog No.	Finish
TM3-A	Black
TM3-B	White
TM3-G	Verde
TM3-H	Bronze

# WA/WB SERIES ACCESSORIES



PT21

## SINGLE POST TOP MOUNT

One-piece cast aluminum fitter for mounting a single fixture on a pole with a 2" pipe tenon. Fixture mounts with 1/2" stainless steel stud and is locked by turning two (2) stainless steel set screws. Fitter is secured to the pole with a 1/4"-20 allen set screw allowing 360° horizontal adjustment and has a removable top cap for splice access.

Catalog No.	Finish
PT21-A	Black
PT21-B	White
PT21-G	Verde
PT21-H	Bronze



PT22

## TWIN POST TOP MOUNT

One-piece cast aluminum fitter for mounting two (2) fixtures on a pole with a 2" pipe tenon. Fixture mounts with 1/2" stainless steel stud and is locked by turning two (2) stainless steel set screws. Fitter is secured to the pole with a 1/4"-20 allen set screw allowing 360° horizontal adjustment and has a removable top cap for splice access.

Catalog No.	Finish
PT22-A	Black
PT22-B	White
PT22-G	Verde
PT22-H	Bronze



PT23

## SINGLE POST TOP MOUNT FOR 3" O.D. POLE

One-piece cast aluminum fitter for mounting a single fixture on a 3" O.D. pole. Fixture mounts with 1/2" stainless steel stud and is locked by turning two (2) stainless steel set screws. Fitter is secured to the pole with a 1/4"-20 allen set screw allowing 360° horizontal adjustment.

Catalog No.	Finish
PT23-A	Black
PT23-B	White
PT23-G	Verde
PT23-H	Bronze



SS18

## SINGLE STANCHION MOUNT

3" O.D. x 18" high extruded aluminum post (0.125" wall) with 1/2" NPSM fixture mount. Flush mount access cover allows easy access for wiring connections. Internal ground lug supplied.

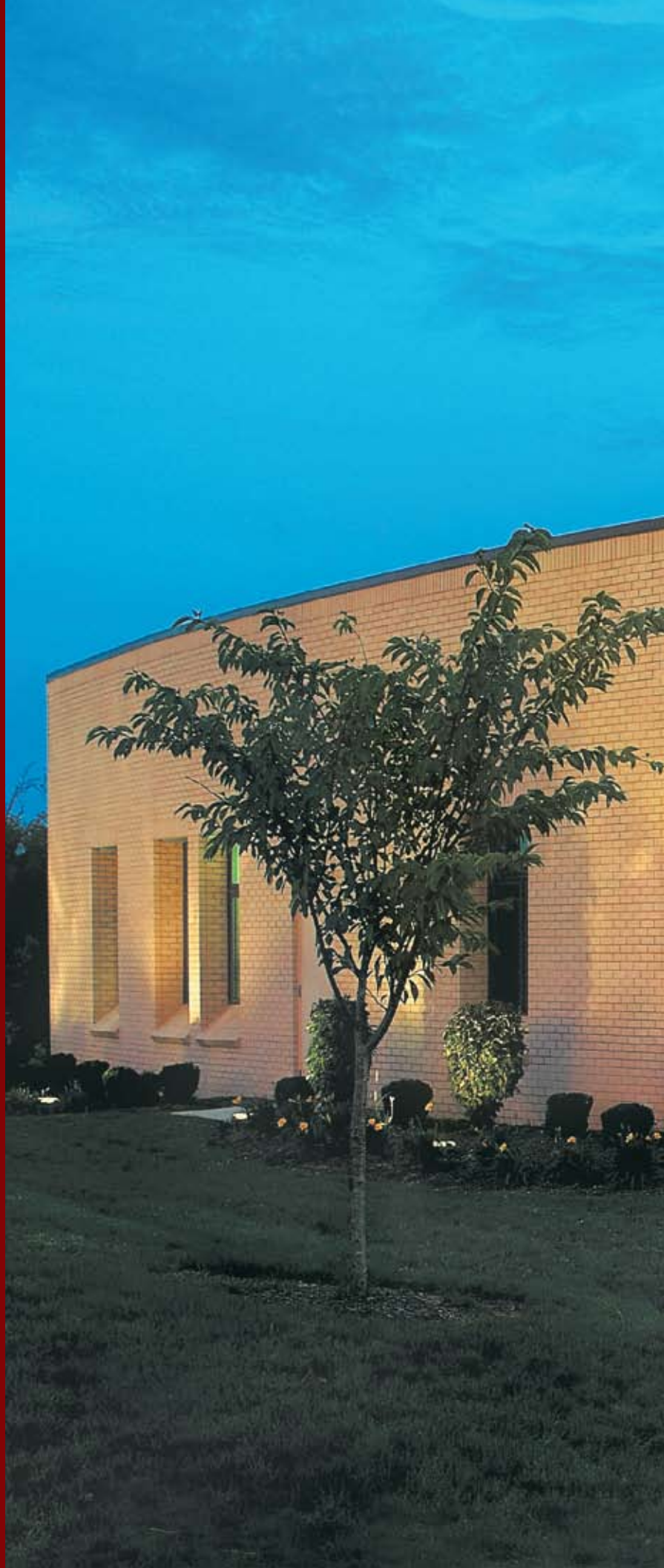
Catalog No.	Finish
SS18-A	Black
SS18-B	White
SS18-G	Verde
SS18-H	Bronze

# Line Voltage Inground Lighting

Whether used to graze walls or uplight features, inground fixtures are powerful, versatile tools for expressing your design vision.

They'll deliver the illumination you need – yet blend seamlessly with their surroundings. And our flush mount fixtures integrate so completely, people can even walk on them.

With a generous selection of trim rings, rock guards, lenses and louvers, our ingrounds will harmonize with almost any terrain. And properly installed, they'll provide years of light to your landscape.





# INGROUNDS



**12** COMPOSITE TRIM RING



COMPOSITE ROCKGUARD



CAST BRONZE TRIM RING



CAST BRONZE ROCK GUARD



STAINLESS STEEL BRUSHED MATTE FINISH TRIM RING

**HOUSING** – Single-piece compression molded, fiberglass reinforced polyester composite housing.

**TRIM RING** – Compression molded polyester, or die-cast stainless steel or natural cast bronze.

**ROCK GUARD** – Directional for glare control. Compression molded polyester or natural cast bronze.

**LENS** – Clear convex, tempered soda-lime glass for high impact resistance. 2,200-pound live-load rated, standard walk-over.

**SOCKET** – PAR or R lamp: medium base. MR16: bi-pin type (GU5.3). PAR36/AR111: double screw terminal base. Fluorescent: GX24q-3 or GX24q-2 base.

**ELECTRICAL** – Integral electronic transformer converts 120V to 12V; integral electronic fluorescent ballast.

**AIMING** – MR16 and PAR36 lamps have 15° either side of vertical and 358° rotation. PAR/R 20 or 30 and fluorescent are not aimable.

**ADA COMPLIANT** – Compliant when used in concrete and flush mounted with CP2 or CPS2.

ETL, cETL Listed.

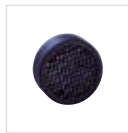
## ACCESSORIES



**ICG16**

Internal Snap-on Honeycomb Louver.

Lamp – MR16



**ICG20**

Internal Snap-on Honeycomb Louver.

Lamp – PAR20



**ICG30**

Internal Snap-on Honeycomb Louver.

Lamp – PAR30



**ICG36**

Internal Snap-on Honeycomb Louver.

Lamp – PAR36



**IBL1**

Exterior Ice Blue Tempered Lens.



**IS1H**

Cast Aluminum Exterior Glare Shield.

Finish – Bronze color



**IBL16**

Internal Snap-on Ice Blue Tempered Lens.

Lamp – MR16



**ISL16**

Internal Snap-on Spread Lens.

Lamp – MR16



**IAS16**

Internal Linear Spread Lens.

Lamp – MR16



**CP2**

PVC Concrete Pour Kit.

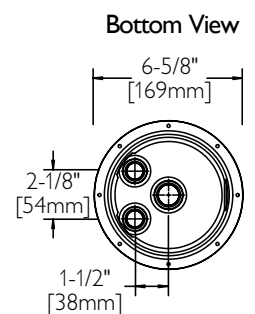
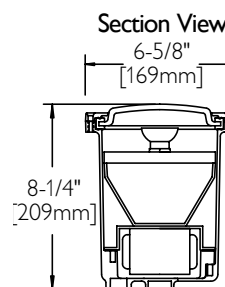
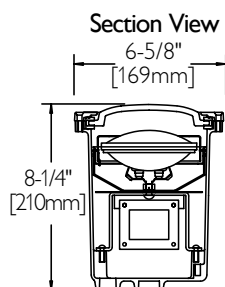
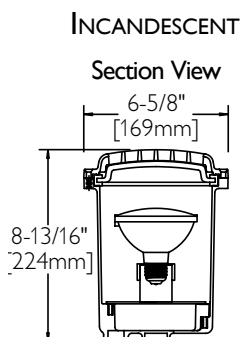
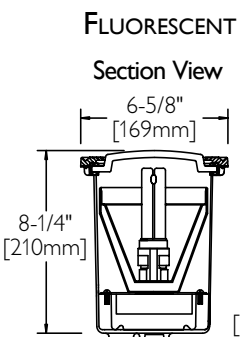


**CPS2**

Stainless Steel Concrete Pour Kit.

### LOW VOLTAGE WITH INTEGRAL TRANSFORMER PAR36.

### LOW VOLTAGE WITH INTEGRAL TRANSFORMER MR16.



Two (2) 1/2" NPS Threaded Conduit inlets on bottom.

## PRODUCT SELECTION GUIDE (INCANDESCENT)

Catalog Number	Description	Finish	Max Wattage	Lamp	Socket
I2-H	Small Inground with Composite Trim Ring	Bronze	100w	PAR/R20 or PAR/R30	Medium Base
I2-N	Small Inground with Cast Bronze Trim Ring	Natural Cast Bronze	100w	PAR/R20 or PAR/R30	Medium Base
I2-SS	Small Inground with Stainless Steel Trim Ring	Stainless Steel	100w	PAR/R20 or PAR/R30	Medium Base
I2G-H	Small Inground with Composite Rock Guard	Bronze	100w	PAR/R20 or PAR/R30	Medium Base
I2G-N	Small Inground with Cast Bronze Rock Guard	Natural Cast Bronze	100w	PAR/R20 or PAR/R30	Medium Base

## PRODUCT SELECTION GUIDE (INTEGRAL 12V TRANSFORMER)

Catalog Number	Description	Finish	Max Wattage	Lamp	Socket
IT216-H	Small Inground with Composite Trim Ring	Bronze	75w	MR16	GU5.3 Bi-Pin Socket
IT216-N	Small Inground with Cast Bronze Trim Ring	Natural Cast Bronze	75w	MR16	GU5.3 Bi-Pin Socket
IT216-SS	Small Inground with Stainless Steel Trim Ring	Stainless Steel	75w	MR16	GU5.3 Bi-Pin Socket
IT216G-H	Small Inground with Composite Rock Guard	Bronze	75w	MR16	GU5.3 Bi-Pin Socket
IT216G-N	Small Inground with Cast Bronze Rock Guard	Natural Cast Bronze	75w	MR16	GU5.3 Bi-Pin Socket
IT236-H	Small Inground with Composite Trim Ring	Bronze	75w	PAR36/AR111	Double Screw Terminal
IT236-N	Small Inground with Cast Bronze Trim Ring	Natural Cast Bronze	75w	PAR36/AR111	Double Screw Terminal
IT236-SS	Small Inground with Stainless Steel Trim Ring	Stainless Steel	75w	PAR36/AR111	Double Screw Terminal
IT236G-H	Small Inground with Composite Rock Guard	Bronze	75w	PAR36/AR111	Double Screw Terminal
IT236G-N	Small Inground with Cast Bronze Rock Guard	Natural Cast Bronze	75w	PAR36/AR111	Double Screw Terminal

## PRODUCT SELECTION GUIDE (FLUORESCENT)

Catalog Number	Description	Finish	Max Wattage	Lamp	Socket	Minimum Op Temperature	Lamp Life (Hrs)
IF232-H	Small Inground with Composite Trim Ring	Bronze	32w	Compact Fluorescent	GX24q-3	- 20°F	10000
IF232G-H	Small Inground with Composite Rock Guard	Bronze	32w	Compact Fluorescent	GX24q-3	- 20°F	10000
IF226-H	Small Inground with Composite Trim Ring	Bronze	26w	Compact Fluorescent	GX24q-3	- 20°F	10000
IF226G-H	Small Inground with Composite Rock Guard	Bronze	26w	Compact Fluorescent	GX24q-3	- 20°F	10000
IF218-H	Small Inground with Composite Trim Ring	Bronze	18w	Compact Fluorescent	GX24q-2	- 20°F	10000
IF218G-H	Small Inground with Composite Rock Guard	Bronze	18w	Compact Fluorescent	GX24q-2	- 20°F	10000
IF232-N	Small Inground with Cast Bronze Trim Ring	Natural Cast Bronze	32w	Compact Fluorescent	GX24q-3	- 20°F	10000
IF232G-N	Small Inground with Cast Bronze Rock Guard	Natural Cast Bronze	32w	Compact Fluorescent	GX24q-3	- 20°F	10000
IF226-N	Small Inground with Cast Bronze Trim Ring	Natural Cast Bronze	26w	Compact Fluorescent	GX24q-3	- 20°F	10000
IF226G-N	Small Inground with Cast Bronze Rock Guard	Natural Cast Bronze	26w	Compact Fluorescent	GX24q-3	- 20°F	10000
IF218-N	Small Inground with Cast Bronze Trim Ring	Natural Cast Bronze	18w	Compact Fluorescent	GX24q-2	- 20°F	10000
IF218G-N	Small Inground with Cast Bronze Rock Guard	Natural Cast Bronze	18w	Compact Fluorescent	GX24q-2	- 20°F	10000
IF232-SS	Small Inground with Stainless Steel Trim Ring	Stainless Steel	32w	Compact Fluorescent	GX24q-3	- 20°F	10000
IF226-SS	Small Inground with Stainless Steel Trim Ring	Stainless Steel	26w	Compact Fluorescent	GX24q-3	- 20°F	10000
IF218-SS	Small Inground with Stainless Steel Trim Ring	Stainless Steel	18w	Compact Fluorescent	GX24q-2	- 20°F	10000

# INGROUNDS



## i2.5

**HOUSING** – Single-piece compression molded, fiberglass reinforced polyester composite housing. Separate sealed compartments. Potted factory seal with anti-wicking wiring. Hinged lens ring with captive lens and fasteners. Only 2 fasteners required to secure lens ring. UL Listed silicone-filled wire nuts provided—no encapsulant or conduit seal required.

**TRIM RING** – Natural cast bronze or cast stainless steel. Secured with stainless steel screws.

**ROCK GUARD** – Natural cast bronze or cast stainless steel. Secured with stainless steel screws.

**HALF DOME** – Field adjustable for directional glare control. Natural cast bronze or cast stainless steel. Secured with stainless steel screws

**LENS** – Clear convex, tempered borosilicate for high-impact resistance. 3,000 lb live-load rated, drive-over. Cool touch lens option for T4, T6 and E17 lamps reduces external lens temperatures by up to 35%—includes internal clear (double) lens, internal ice blue lens, internal multi-directional spread lens and internal linear spread lens.

**GASKET** – Gaskets for lens and ballast assembly are single-piece molded 100% silicone. Gasket for junction box cover is single-piece die-cut neoprene.

**SOCKET** – MH T-4: Bi-pin socket type (G8.5). MH T-6: Bi-pin socket type (G12). Incandescent, MH E-17 and PAR: 4kv rated medium base porcelain socket. Compact Fluorescent: GX24Q-4 base.

**REFLECTOR** – Handle enables easy tool-less removal for hot aiming and re-lamping. High-performance aluminum reflector for optimum symmetrical light output. MH T-4 and T-6: Available for spot, narrow flood or flood beam pattern. MH E-17: Available for spot or flood beam pattern. Compact Fluorescent: Available in flood only.

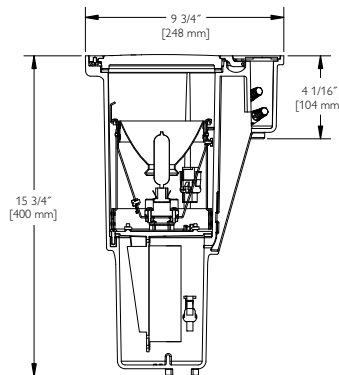
**ELECTRICAL** – HID and CFL: Key-slotted Ballast Assembly with Quick Disconnects™ mounted to cast aluminum bracket for easy maintenance. Universal Smart Select™ electronic ballasts automatically detect 120-277 volts, 50/60 Hz, HPF. Ballasts provide ± 5% lamp power regulation with ± 10% input voltage regulation.

**AIMING** – 15° either side of vertical and full 360° rotation. Angle degree marks for precise vertical aiming with tool-less LOC-AIM®.

**ADA COMPLIANT** – Compliant when used in concrete and flush-mounted with CPS25.

**IP RATING** – IP66/68 to 1M (3.28FT): Dust-tight and dual rated—sealed against direct jets of water and against continuous immersion up to a depth of 1 meter (3.28 feet).

ETL, cETL Listed.



## ACCESSORIES



**I25CRGN**  
External cast natural bronze rock guard



**I25CRGSS**  
External cast stainless steel rock guard



**I25HDN**  
External cast natural bronze half dome



**I25HDSS**  
External cast stainless steel half dome



**IBLR\***  
Internal ice blue lens for reflectors (Lamp: T-4, T-6 or E-17)



**IMSLR\***  
Internal multi-directional spread lens for reflectors (Lamp: T-4, T-6 or E-17)



**ILSLR\***  
Internal linear spread lens for reflectors (Lamp: T-4, T-6 or E-17)



**ICGR†**  
Internal honeycomb louvers for reflectors (Lamp: T-4, T-6 or E-17)



**LEDADP**  
Accessory adaptor ring



**I25SRL**  
External slip-resistant lens



**I25FRL**  
External frosted lens



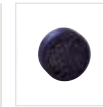
**ICLR\***  
Internal clear (double) lens for reflectors (Lamp: T-4, T-6 or E-17)



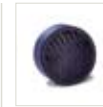
**IDLR†**  
Internal directional louvers, laser cut, for reflectors (Lamp: T-4, T-6 or E-17)



**ISSR†**  
Internal source shield for reflectors (Lamp: T-4, T-6 or E-17)



**ICG20**  
Internal snap-on honeycomb louvers (Lamp: PAR20) Not for use with any other internal accessory



**ICG30**  
Internal snap-on honeycomb louvers (Lamp: PAR30) Not for use with any other internal accessory

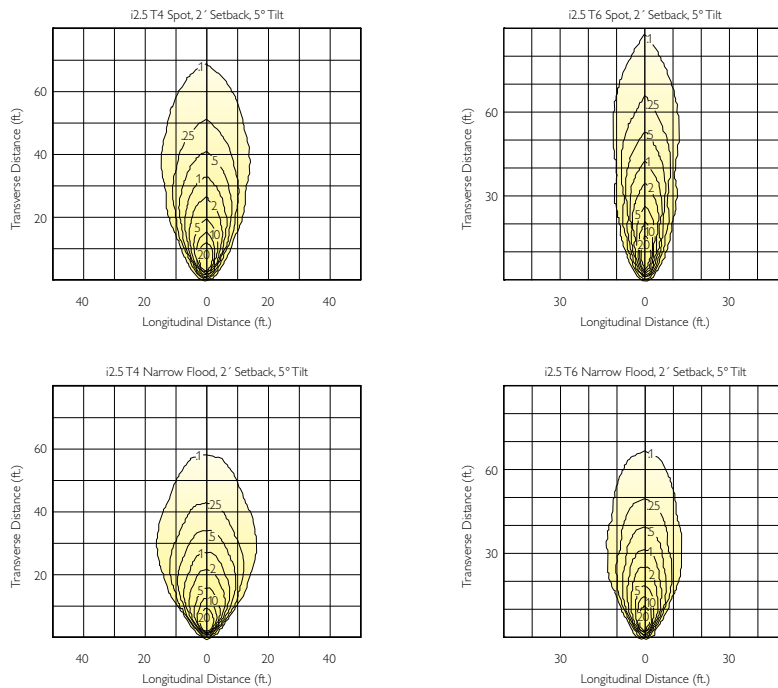


**CPS25**  
Stainless steel concrete pour kit

NOTE: For internal accessories ICLR, IBLR, IMSLR, ILSLR, ICGR, IDLR and ISSR: 50W E-17, 35W T-4/T-6 and 20W T-4 = Use multiple internal accessories with any external lens (Example: IBLR + ILSLR + ICGR + I25FRL)

70W T-4/T-6/E-17 = Use (1) internal lens\* and (1) internal glare control† accessory with the standard external clear lens or the external slip-resistant lens; when using external frosted lens, use no accessories (Example: ICLR + ICGR + I25SRL) CFL, HID PAR, INC PAR = ICLR, IBLR, IMSLR, ILSLR, ICGR, IDLR and ISSR can not be used

## PHOTOMETRIC INFORMATION (70W METAL HALIDE) WALL



## ORDERING GUIDE (FLUORESCENT)

Catalog Number	Finish		Optics (FL) Flood	Wattage*	Socket*	Minimum Operating Temperature	Lamp Life (Hours)
	(N) Natural Cast Bronze	(SS) Stainless Steel					
I25	( )	( )	FL	42PLT	GX24q3/GX24q-4	-18°F	10,000

† All CFL electronic ballasts are Smart Select™ universal voltage 120-277VAC 50/60Hz and will operate 26W, 32W or 42W lamps.  
\* Universal CFL socket will accept 26W and 32W GX24q-3 and 42W GX24q-4 lamps.

## ORDERING GUIDE (INCANDESCENT)

Catalog Number	Description	Finish	Max Wattage*	Lamp	Socket
I25-N	Hinge top ingrade with natural cast bronze trim ring	Natural cast bronze	100W	PAR/R20 or PAR/R30	Medium base
I25-SS	Hinge top ingrade with stainless steel trim ring	Stainless steel	100W	PAR/R20 or PAR/R30	Medium base

## ORDERING GUIDE (HID)

Catalog Number	Finish		Optics (SP) Spot (NF) Narrow Flood (FL) Flood (0) No Reflector (PAR/R lamps)	Wattage*	Wattage/Lamp
	(N) Natural Cast Bronze	(SS) Stainless Steel			
I25	( )	( )	(SP, NF, FL)	20T4	20W Metal Halide T-4, Bi-pin G-8.5
I25	( )	( )	(SP, NF, FL)	35T4	35W Metal Halide T-4, Bi-pin G-8.5
I25	( )	( )	(SP, NF, FL)	70T4	70W Metal Halide T-4, Bi-pin G-8.5
I25	( )	( )	(SP, NF, FL)	35T6	35W Metal Halide T-6, Bi-pin G-12
I25	( )	( )	(SP, NF, FL)	70T6	70W Metal Halide T-6, Bi-pin G-12
I25	( )	( )	0	35H	35W Metal Halide PAR20/30, Medium Base
I25	( )	( )	(SP, FL)	50H	50W Metal Halide E-17, Medium Base
I25	( )	( )	(SP, FL, 0)	70H	70W Metal Halide E-17, PAR30, Medium Base

† All HID electronic ballasts are Smart Select™ universal voltage 120-277VAC 50/60Hz

# INGROUNDS



**I3** COMPOSITE TRIM RING

COMPOSITE ROCKGUARD

CAST BRONZE TRIM RING

CAST BRONZE ROCK GUARD

STAINLESS STEEL BRUSHED MATTE FINISH TRIM RING

**HOUSING** – Single-piece compression molded, fiberglass reinforced polyester composite housing.

**TRIM RING** – Compression molded polyester, or die-cast stainless steel, or natural cast bronze. All trim rings are secured with stainless steel screws.

**ROCK GUARD** – Directional for glare control. Compression molded polyester or natural cast bronze.

**LENS** – Clear convex, tempered soda-lime glass for high impact resistance. 2,200-pound live-load rated, standard walk-over.

**GASKET** – Single-piece molded silicone U-channel.

**SOCKET** – Incandescent and HID: medium base. Fluorescent: GX24q-3 or GX24q-4 base.

**REFLECTOR** – Optional specular aluminum spun reflector available for E17 spot (15°) or flood (70°) beam pattern. Fluorescent available in flood.

**ELECTRICAL** – Standard quad-volt core and coil mounted on key-slotted removable tray with quick connect harness, high power factor, dipped in moisture-resistant epoxy coating. Fluorescent uses electronic ballasts.

**AIMING** – 15° either side of vertical and 358° rotation. PAR/R and fluorescent are not aimable.

**ADA COMPLIANT** – Compliant when used in concrete and flush mounted with CP3 or CPS3.

ETL, cETL Listed.

## ACCESSORIES



**CP3**  
PVC Concrete Pour Kit.



**CPS3**  
Stainless Steel Concrete Pour Kit.



**ICG20**  
Internal Snap-on Honeycomb Louver.  
Lamp – PAR20



**ICG30**  
Internal Snap-on Honeycomb Louver.  
Lamp – PAR30



**ICG36**  
Internal Snap-on Honeycomb Louver.  
Lamp – PAR36



**ICG38**  
Internal Snap-on Honeycomb Louver.  
Lamp – PAR38

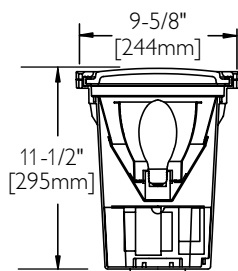


**I3ICL**  
Internal Clear (Double) Lens.

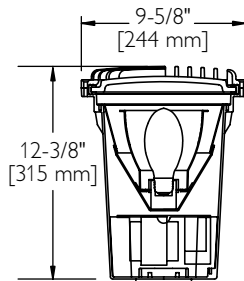


**IS3H**  
Cast Aluminum Exterior Glare Shield.  
Finish – Bronze

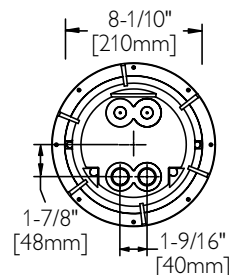
**I3 With Trim Ring (Section View)**



**I3 With Rock Guard (Section View)**

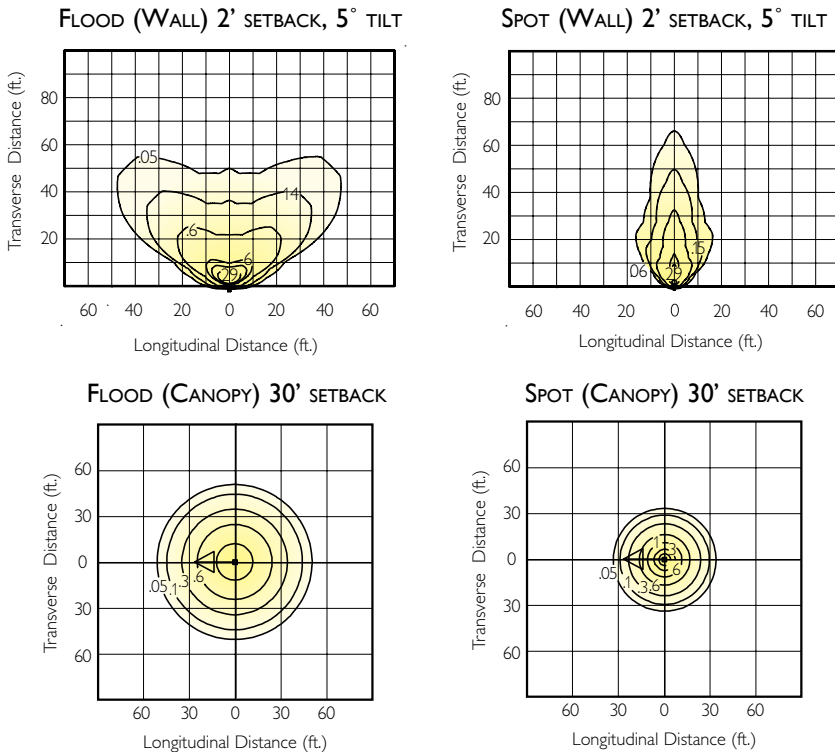


**Bottom View**



Two (2) 3/4" NPS Threaded Conduit inlets on bottom.

## PHOTOMETRIC INFORMATION (100W METAL HALIDE)



## PRODUCT SELECTION GUIDE (INCANDESCENT)

Catalog Number	Description	Finish	Max Wattage	Lamp	Socket
I3-H	Medium Inground with Composite Trim Ring	Bronze	100w	PAR/R30 or PAR38/R40	Medium Base
I3G-H	Medium Inground with Composite Rock Guard	Bronze	100w	PAR/R30 or PAR38/R40	Medium Base
I3-N	Medium Inground with Cast Bronze Trim Ring	Natural Cast Bronze	100w	PAR/R30 or PAR38/R40	Medium Base
I3G-N	Medium Inground with Cast Bronze Rock Guard	Natural Cast Bronze	100w	PAR/R30 or PAR38/R40	Medium Base
I3-SS	Medium Inground with Stainless Steel Trim Ring	Stainless Steel	100w	PAR/R30 or PAR38/R40	Medium Base

## ORDERING GUIDE (HID)

Catalog Number	(G) Optional Rock Guard (available in composite bronze or cast bronze only)	Finish (H) Bronze (N) Natural Cast Bronze (SS) Stainless Steel	Optics (FL) Flood (70°) (H) Horizontal (78°-100°) (SP) Spot (15°) (O) No Reflector (PAR/R lamps)	Wattage	Voltage	
					240, 277	Wattage/Lamp
I3	(G)	(Specify)	O	35H	(Specify)	35w Metal Halide PAR20, Medium Base
I3	(G)	(Specify)	(FL, H, SP)	35T6	(Specify)	35w Metal Halide T6, Bi-pin
I3	(G)	(Specify)	(FL, SP)	50H	(Specify)	50w Metal Halide E17, Medium Base
I3	(G)	(Specify)	(Specify)	70H	(Specify)	70w Metal Halide E17, PAR30, Medium Base
I3	(G)	(Specify)	(FL, H, SP)	70T6	(Specify)	70w Metal Halide T6, Bi-pin
I3	(G)	(Specify)	(Specify)	100H	(Specify)	100w Metal Halide E17, PAR38, Medium Base
I3-HHO*	Housing Only					

## ORDERING GUIDE (FLUORESCENT)

Catalog Number	(G) Optional Rock Guard (available in composite bronze or cast bronze only)	Finish (H) Bronze (N) Natural Cast Bronze (SS) Stainless Steel	Optics (FL) Flood	Wattage	Voltage		Socket	Minimum Op Temperature	Lamp Life (Hrs)
					120, 208	240, 277			
I3	(G)	(Specify)	FL	26PLT	(Specify)	GX24q-3	- 20°F	10000	
I3	(G)	(Specify)	FL	32PLT	(Specify)	GX24q-3	- 20°F	10000	
I3	(G)	(Specify)	FL	42PLT	(Specify)	GX24q-4	- 20°F	10000	

\*When housing only is ordered for pre-shipment, add suffix "LH" (Less Housing) to complete catalog number to order fixture without housing.

# INGROUNDS



**I4** COMPOSITE TRIM RING

COMPOSITE ROCKGUARD

CAST BRONZE TRIM RING

CAST BRONZE ROCK GUARD

STAINLESS STEEL BRUSHED MATTE FINISH TRIM RING

**HOUSING** – Single-piece compression molded, fiberglass reinforced polyester composite housing. Re-enterable compound provided to seal junction.

**TRIM RING** – Compression molded polyester, or die-cast stainless steel, or natural cast bronze. All trim rings are secured with stainless steel screws.

**ROCK GUARD** – Directional for glare control. Compression molded polyester or natural cast bronze.

**LENS** – Clear convex, tempered soda-lime glass for high impact resistance. 2,600-pound live-load rated, standard walk-over.

**GASKET** – Single-piece molded silicone U-channel.

**SOCKET** – Incandescent and HID: medium base. Fluorescent: GX24q-3 or GX24q-4 base.

**REFLECTOR** – Optional specular aluminum spun reflector available for E17 spot (15°) or flood (70°) beam pattern. Hammertone aluminum for horizontal (78°-100°) beam pattern. Fluorescent available in flood or horizontal only.

**ELECTRICAL** – HID: standard quad-volt core and coil mounted on key-slotted removable tray with quick connect harness, high power factor, dipped in moisture-resistant epoxy coating. Fluorescent uses electronic ballasts.

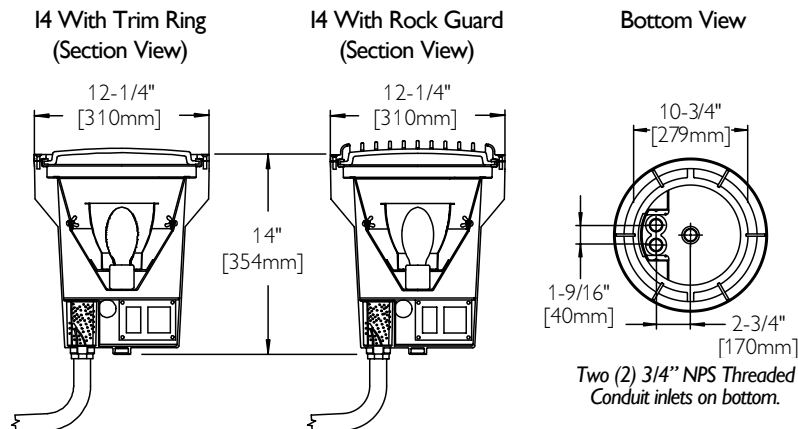
**AIMING** – 15° either side of vertical and 358° rotation.

**ADA COMPLIANT** – Compliant when used in concrete and flush mounted with CP4 or CPS4.

ETL, cETL Listed.

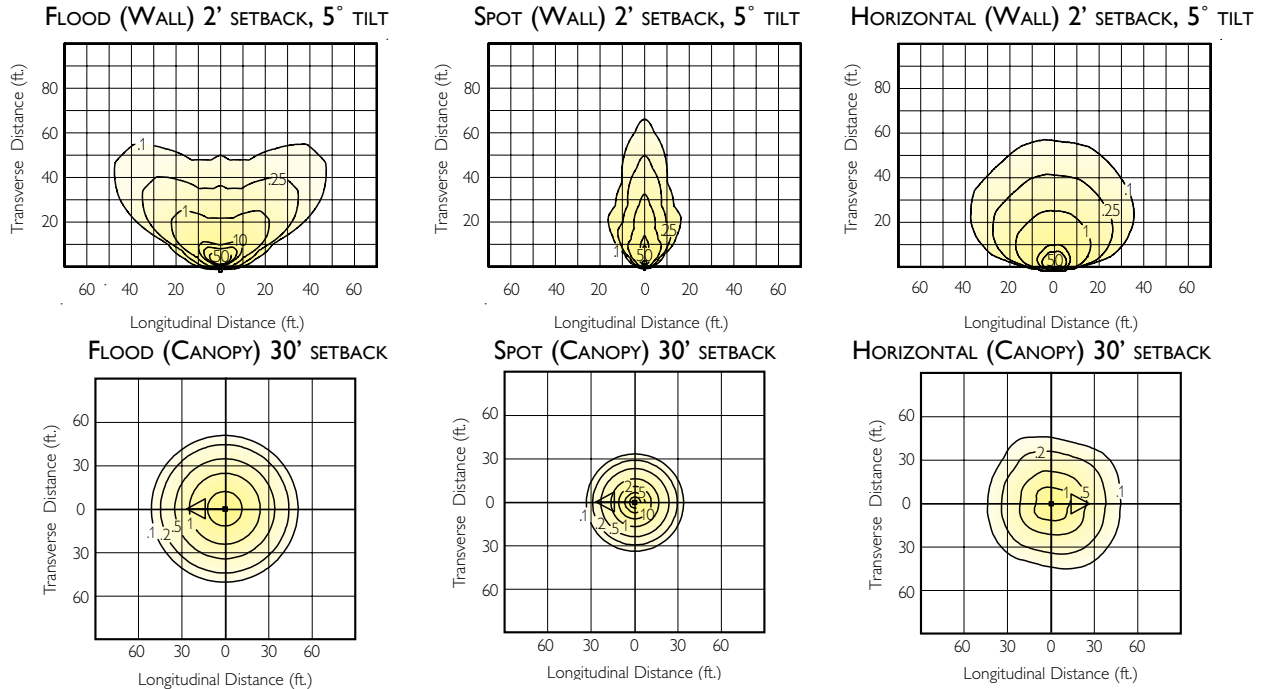
## ACCESSORIES

<b>CP4</b> PVC Concrete Pour Kit.	<b>CPS4</b> Stainless Steel Concrete Pour Kit.	<b>ICG38</b> Internal Snap-on Honeycomb Louver. Lamp – PAR38	<b>ICGFL</b> Internal Honeycomb Louver for FL reflector. Lamp – EL17 or PLT Lamp	<b>ICGSP</b> Internal Honeycomb Louver for SP reflector. Lamp – EL17	<b>I4SRL</b> External Slip-resistant Lens.	<b>I4ICL</b> Internal Clear (Double) Lens.	<b>I4IDL</b> Internal Directional Louver, Laser Cut.	<b>ISL4</b> Internal Multi-directional Spread Lens.	<b>IS4H</b> Cast Aluminum exterior Glare Shield. Finish – Bronze



# INGROUNDS

## PHOTOMETRIC INFORMATION (150W METAL HALIDE)



## PRODUCT SELECTION GUIDE (INCANDESCENT)

Catalog Number	Description	Finish	Max Wattage	Lamp	Socket
I4-H	Large Inground with Composite Trim Ring	Bronze	150w	PAR38/R40	Medium Base
I4G-H	Large Inground with Composite Rock Guard	Bronze	150w	PAR38/R40	Medium Base
I4-N	Large Inground with Cast Bronze Trim Ring	Natural Cast Bronze	150w	PAR38/R40	Medium Base
I4G-N	Large Inground with Cast Bronze Rock Guard	Natural Cast Bronze	150w	PAR38/R40	Medium Base
I4-SS	Large Inground with Stainless Steel Trim Ring	Stainless Steel	150w	PAR38/R40	Medium Base

## ORDERING GUIDE (HID)

Catalog Number	(G) Optional Rock Guard (available in composite, bronze or cast bronze only)	Finish (H) Bronze (N) Natural Cast Bronze (SS) Stainless Steel	Optics		Wattage	Voltage 120, 208 240, 277	Wattage/Lamp
			(FL) Flood (70°) (H) Horizontal (78°-100°) (SP) Spot (15°) (O) No Reflector (for PAR lamps)				
I4	(G)	(Specify)	(FL, SP, H)		50S	(Specify)	50w High Pressure Sodium E17
I4	(G)	(Specify)	(FL, SP, H)		70S	(Specify)	70w High Pressure Sodium E17
I4	(G)	(Specify)	(FL, SP, H)		100S	(Specify)	100w High Pressure Sodium E17
I4	(G)	(Specify)	(FL, SP, H)		150S	(Specify)	150w High Pressure Sodium E17
I4	(G)	(Specify)	(FL, SP, H)		50H	(Specify)	50w Metal Halide E17
I4	(G)	(Specify)	(Specify)		70H	(Specify)	70w Metal Halide E17, PAR38
I4	(G)	(Specify)	(FL, SP, H)		70T6	(Specify)	70w Metal Halide T6
I4	(G)	(Specify)	(Specify)		100H	(Specify)	100w Metal Halide E17, PAR38
I4	(G)	(Specify)	(FL, SP, H)		150H	(Specify)	150w Metal Halide E17
I4	(G)	(Specify)	(FL, SP, H)		150T6	(Specify)	150w Metal Halide T6
I4-HHO*	Housing Only						

## ORDERING GUIDE (FLUORESCENT)

Catalog Number	(G) Optional Rock Guard (available in bronze or cast bronze only)	Finish (H) Bronze (N) Natural Cast Bronze (SS) Stainless Steel	Optics		Wattage	Voltage 120, 208 240, 277	Socket	Minimum Op Temperature	Lamp Life (Hrs)
			(FL) Flood (H) Horizontal						
I4	(G)	(Specify)	(Specify)		26PLT	(Specify)	GX24q-3	- 20°F	10000
I4	(G)	(Specify)	(Specify)		32PLT	(Specify)	GX24q-3	- 20°F	10000
I4	(G)	(Specify)	(Specify)		42PLT	(Specify)	GX24q-4	- 20°F	10000

\*When housing only is ordered for pre-shipment, add suffix "LH" (Less Housing) to complete catalog number to order fixture without housing.

# INGROUNDS



## I5

**HOUSING** – Single-piece, compression molded, fiberglass-reinforced polyester composite with integral lamp, ballast and junction box compartment with epoxy anti-siphon barrier.

**TOP PLATE, LENS FRAME** – Dark bronze compression molded polyester; secured with stainless steel screws.

**LENS** – 3/8" thick clear, high-impact tempered glass; crowned and mounted flush with lens retainer to resist debris accumulation; 1,300-pound live-load rated, standard walk-over lens.

**GASKET** – Single-piece, molded, ribbed silicone for lens and top plate to provide watertight sealing stem.

**SOCKET** – Pulse-rated, heavy-duty glazed porcelain for medium and mogul base lamp. Porcelain mogul-end prong socket provided for PAR56 lamp.

**REFLECTOR** – E17, E28 and T15 vertical lamp specular spun aluminum; reflector for E17 horizontal lamp is combination of hammertone and specular-formed aluminum. Lamp not included.

**ELECTRICAL** – HID models: core and coil, high power factor; epoxy dipped for moisture resistance.

**AIMING** – 360° horizontal rotation adjustment. E17, E28, and T15 vertical lamps: 15° adjustment either side of vertical. E17 horizontal and PAR56 lamps: 25° vertical adjustment. PAR38 and R40 lamps: 30° vertical adjustment.

**ADA COMPLIANT** – Compliant when used in concrete and flush mounted with concrete mounting frame I5CMF.

ETL, cETL Listed.

## ACCESSORIES



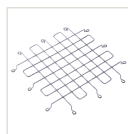
### I5CMF

Concrete Mounting Frame.



### I5CRG

External Cast Rock Guard.  
Finish – Dark Bronze Aluminum



### I5SRG

External Stainless Wire Guard.



### I5HCL

Internal Honeycomb Louver.  
Lamp – E17



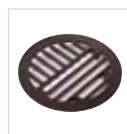
### I5DS

External Directional Shield.  
Finish – Dark Bronze Aluminum



### I5IGL

Internal Glare Louver.



### I5DL

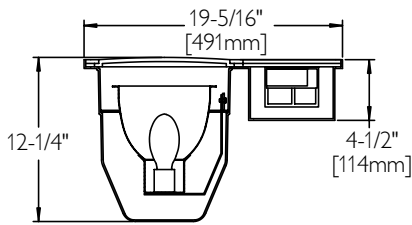
Internal Directional Louver.



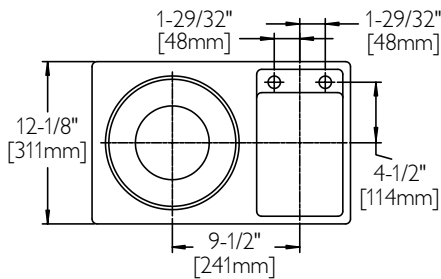
### I5DSG

External Directional Shield and Rock Guard, Dark Bronze Aluminum.

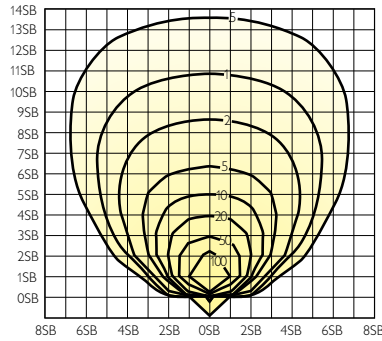
Section View



Bottom View



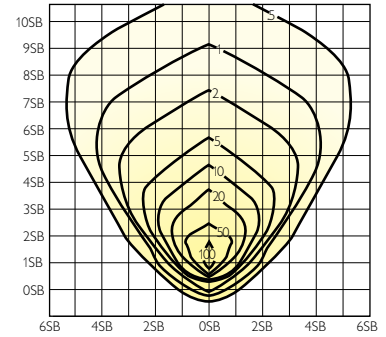
PHOTOMETRIC INFORMATION



I5HFL175H120 Symmetric  
Setback = 2 ft.

Multipliers for other Setbacks						
Setback (Ft.)	2'	3'	4'	5'	6'	8'
150w MH E17 Coated	1	.44	.25	.16	.11	.06
250w MH E28 Coated	1.5	.66	.38	.24	.17	.09

Note: Fixture aimed 15° toward wall.



I5HSP100S120 Symmetric  
Setback = 3 ft.

Multipliers for other Setbacks						
Setback (Ft.)	2'	3'	4'	5'	6'	8'
70w HPS B17	1.5	.67	.38	.24	.17	.07
100w HPS B172.25	2.25	1	.56	.36	.25	.11
150w HPS B173.8	3.8	1.7	.95	.61	.43	.19

Note: Fixture aimed 15° toward wall.

## ORDERING GUIDE

Catalog Number	(H) Dark Bronze Composite	Optics	Wattage	Voltage	Wattage/Lamp
		(FL) Flood (H) Horizontal (SP) Spot (O) No Reflector (for PAR lamps)		120 208 240 277	
I5	H	(FL, H, SP)	35S	(Specify)	35w High Pressure Sodium E17
I5	H	(FL, H, SP)	50S	(Specify)	50w High Pressure Sodium E17
I5	H	(Specify)	70S	(Specify)	70w High Pressure Sodium E17
I5	H	(FL, H, SP)	100S	(Specify)	100w High Pressure Sodium E17
I5	H	(FL, H, SP)	150S	(Specify)	150w High Pressure Sodium E17
I5	H	(FL, SP)	250S	(Specify)	250w High Pressure Sodium E28
I5	H	O	35H	(Specify)	35w Metal Halide PAR20
I5	H	(FL, H, SP)	50H	(Specify)	50w Metal Halide E17
I5	H	(Specify)	70H	(Specify)	70w Metal Halide E17, PAR38
I5	H	(Specify)	100H	(Specify)	100w Metal Halide E17, PAR38
I5	H	(Specify)	150H	(Specify)	150w Metal Halide E17
I5	H	(FL, SP)	250H	(Specify)	250w Metal Halide S-T15, F-E28
I5	H	O	300I	120	Up to 300w Incandescent PAR38, R40
I5	H	O	500I	120	Up to 500w Incandescent PAR56

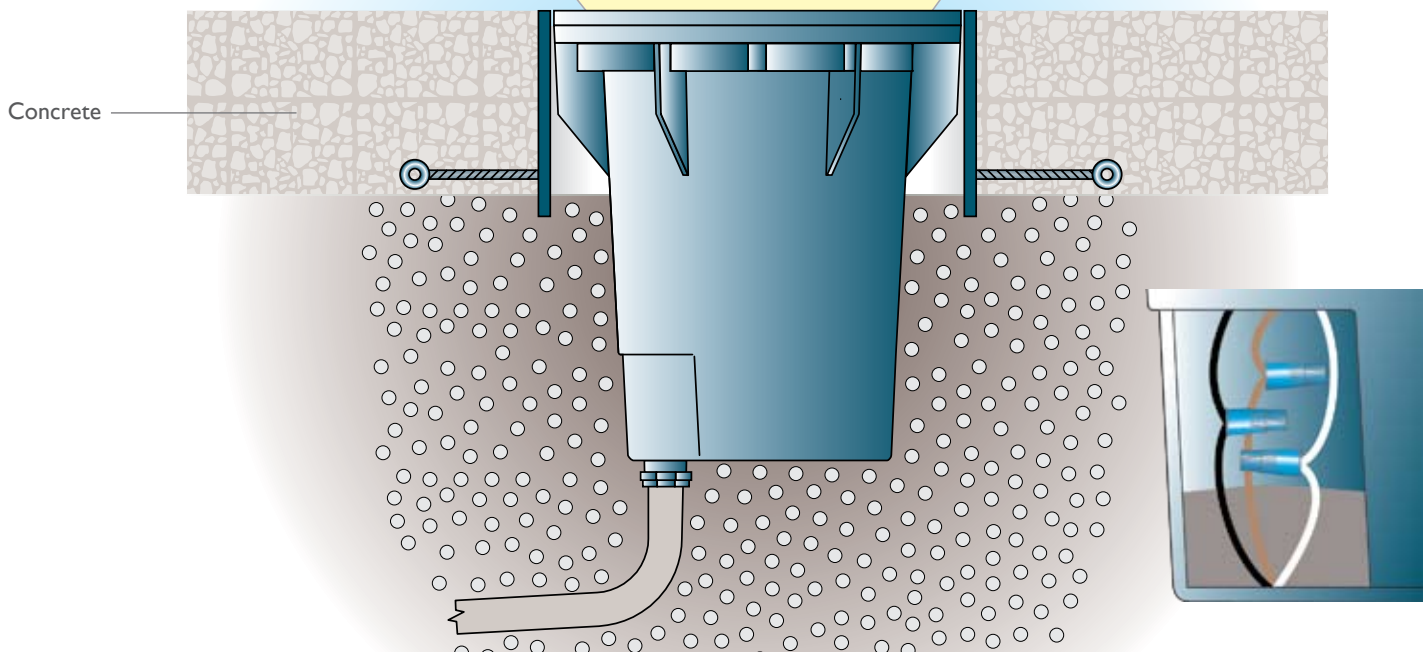
# INGROUNDS INSTALLATION

Installation of inground fixtures requires special consideration. Proper grading, drainage material and potting of internal wires are procedures that are key to a successful inground installation. The following are basic steps in installing inground fixtures in either concrete (using the concrete pour accessory) or soil installation. For greater detailed instructions, refer to the installation sheet enclosed with each fixture.

## CONCRETE INSTALLATION (14 Shown)

*NOTE: To ensure proper drainage, prepare gravel foundation, make certain that the concrete level, when poured, will be flush with the top of the concrete pour accessory. To help decrease condensation, energize fixture for 20 minutes prior to installing and tightening main lens and retainer ring.*

1. Remove trim ring and all internal components from fixture housing, except for the moisture absorbing desiccant pack attached to the side of the housing. Set aside.
2. Position the fixture housing into the concrete pour accessory, making sure that the underside of the housing flange rests on top of the set screws. Tighten set screws on side of accessory to lock the housing into place (do not over-tighten). Secure assembly to the final location with re-bar or other anchoring device.
3. Excavate soil where the fixture is to be installed. Dig a trench 18" deep for conduit installation.
4. Place assembly into hole. Be sure there is a minimum of 3" of drainage material (sand or gravel only) covering the bottom of the hole.
5. Install the conduit to housing using a watertight fitting (by others), and pull supply wires through into housing.
6. Press duct seal compound (by others) into wire entryway, and then fill the entire entryway with two-part potting compound (supplied with select fixtures) to seal the conduit entry point from moisture.
7. Place the dirt cover on the fixture to prevent gravel and concrete from falling into the fixture housing.
8. Fill area with a minimum of three 3" of drainage material. Be sure not to fill area flush with top of frame and assembly. This is to be filled with concrete.
9. Pour concrete. Remember that fixture position cannot be altered after the concrete sets.
10. Once the concrete has set and is completely cured, remove dirt cover from fixture and install electrical components. Use silicone wire nuts (by others) to connect supply wire to fixture wire, within housing.
11. Install specified lamp, and then replace gasketed lens, making certain there is no debris between the gasket and the housing. Install trim ring or rock guard per installation instructions.
12. Connect fixture to power source and energize.



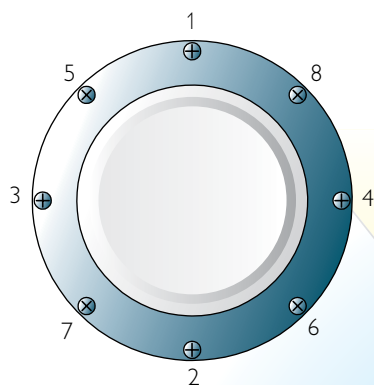
Wires must be connected with silicone wire nuts and compartment must be potted.

# INGROUNDS INSTALLATION

## GROUND INSTALLATION (14 Shown)

*NOTE: Do not place fixture in a below grade location as the fixture will become a sump, collecting dirt and debris, and possibly become submerged in extremely wet conditions. Do not place plantings too close to the fixture as the foliage may grow over the luminaire, blocking the light. Do not allow mulch to touch inground fixture in any way as this may cause the fixture to overheat and fail.*

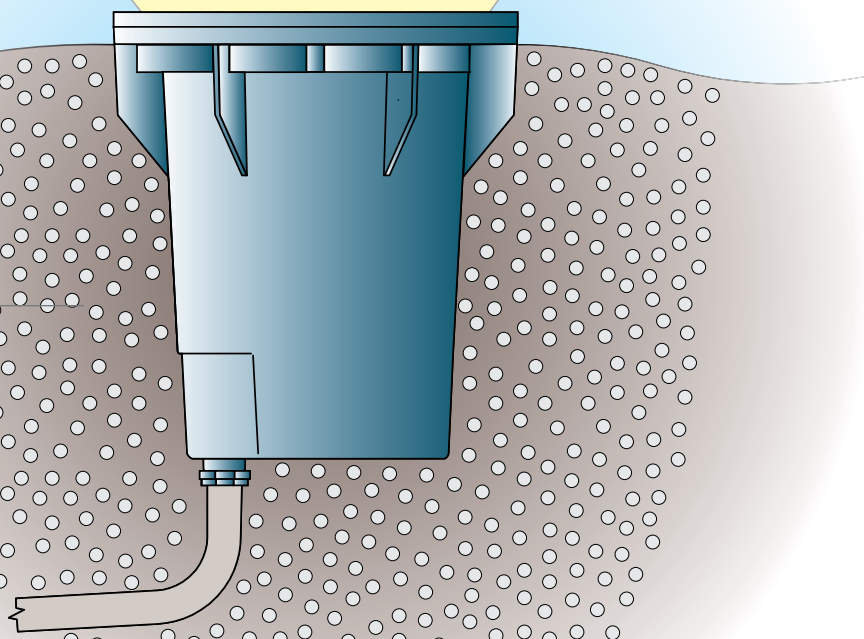
1. Excavate soil for fixture placement and conduit runs, making sure the fixture will be elevated and the grade sloped down from the fixture. Be certain to allow a minimum of 3" of drainage material (sand or gravel only) under and around the housing.
2. Remove trim ring and all internal components from fixture housing, except for the moisture absorbing desiccant pack attached to the side of the housing. Set aside.
3. After drainage material is installed in the bottom, place fixture housing into hole, back-filling a minimum of 3" of drainage material (sand or gravel only) around the side of the housing. Be certain that the underside of housing flange rests on top of grade level.
4. Install the conduit to housing using a watertight fitting (by others) and pull supply wires through, into housing.
5. Press duct seal compound (by others) into wire entryway, and then fill the entire entryway with two-part potting compound (supplied with select fixtures) to seal the conduit entry point from moisture.
6. Re-install ballast tray. Use silicone wire nuts (by others) to connect supply wire to fixture wire within housing.



Order in which to tighten screws.

Drainage  
Gravel  
(3" minimum)

7. Re-install balance of electrical components. Plug lamping module into quick connect, if applicable.
8. Install specified lamp, and then replace gasketed lens, making certain there is no debris between the gasket and the housing. Install trim ring or rock guard per installation instructions.
9. Connect fixture to power source and energize.



# Line Voltage Step Lighting

Our line voltage steplytes come in a variety of shapes, sizes and lampings for a variety of applications.

So you can put strong emphasis on exterior features, such as the architectural detail of a grand entryway.

Or, for low-light environments such as theatres, our LED steplytes allow you to design for safety while preserving atmosphere.





# STEPLYTES



**RSB2** POLYCARBONATE



**RSF2** POLYCARBONATE



**RSS2** POLYCARBONATE

**HOUSING** – Die-cast aluminum back box contains less than 0.3% copper to prevent corrosion in concrete or masonry applications.

**TRIM RING** – Die-cast aluminum trim contains less than 0.3% copper to resist corrosion.

**FINISH** – Zinc-rich primer and thermoset powdercoat for durability Polycarbonate parts are color impregnated.

**BUBBLE LENS** – UV stabilized injection molded polycarbonate, partially clear for maximum light output.

**OPAL FACEPLATE** – UV stabilized injection molded polycarbonate with frosted glass siliconed on inside for durability.

**LOUVER SCREEN FACEPLATE** – Clear UV stabilized injection molded polycarbonate with 45° louvered screen insert.

**SOCKET** – Single contact bayonet (S-8), medium, G23, GX23-2 base (120 volt) or G24Q-1 base (277 volt)

**BALLAST** – Fluorescent ballasts are core and coil, NPF Class B, factory wired and tested, rated for 0° C starting temperature. Integral 120/12V transformer is electronic.

**WIRING** – Pre-wired with high temperature #18 wire.

**ADA COMPLIANT** – Compliant when used in indoor and outdoor wall applications.

ETL, cETL Listed.

## ACCESSORIES

Catalog Number	Description
MAKM	Masonry Construction Mounting Kit
MAKNS	New Stud Wall Construction Mounting Kit
MAKES	Existing Stud Wall Construction Mounting Kit

Note: All units supplied with mounting hardware for concrete pour installation. If other mounting kits are required, order accessory above.

## ISO FOOTCANDLE CONVERSIONS

Light Source	Mounting Height			
	2'	2.5'	3'	4'
PL9 (9w)	2.55	1.63	1.13	.63
PL13 (13w)	3.83	2.45	1.70	.95
T10 (40w)	1.87	1.20	.83	.46
1141 (36w)	2.25	1.44	1.00	.56

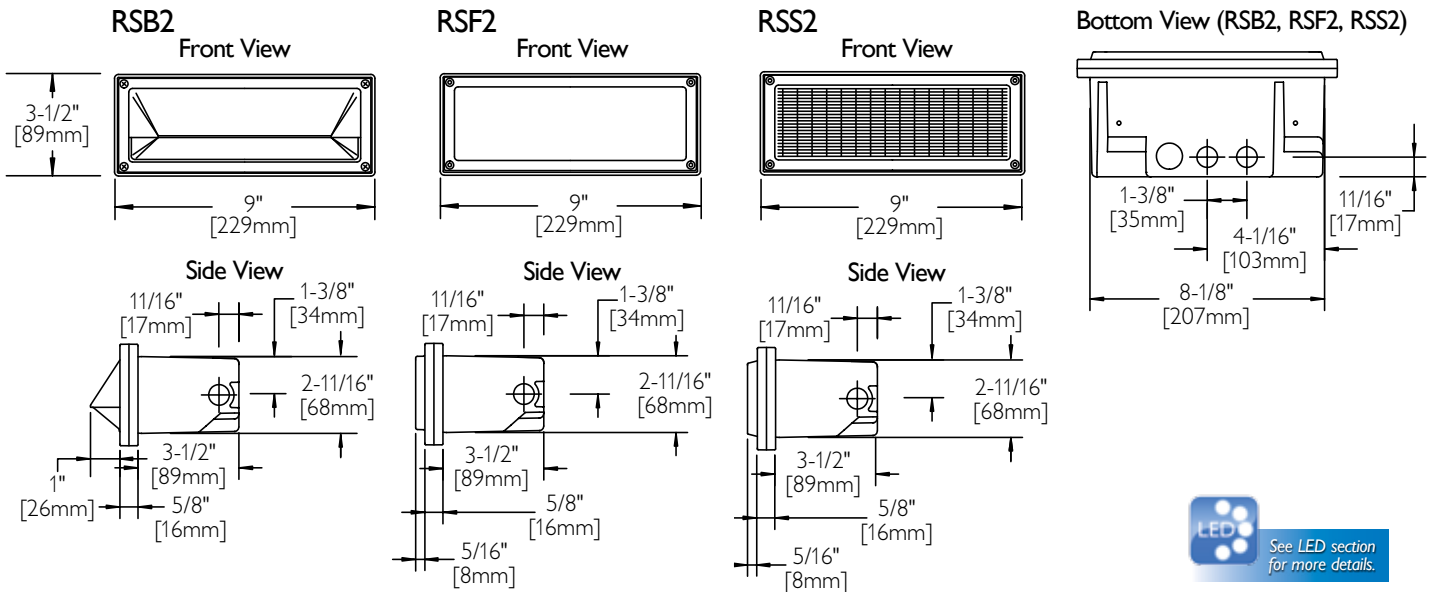
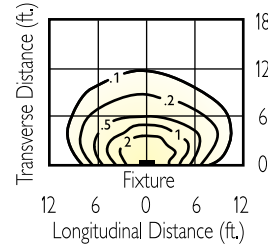
**RSF2 & RSS2** – Symmetric reflector is precision formed steel with a white reflective coating. The opal lens of the RSF2 offers light levels for stairways and area lighting, or as a marker light source where shielding of the light source is less important. The internal louver of the RSS2 offers lower light levels with cutoff for lighting stairways or general lighting where shielding of the light source is more important than high light levels.

**RSB2** – Symmetric reflector is precision formed, semi-specular aluminum or highly polished aluminum (T10 lamping only), which produces a wide symmetric distribution for general area lighting.

## PHOTOMETRIC INFORMATION

### RSB2

Distribution: Symmetric  
Lamp Wattage: 36W (2-18W) 1141  
Mounting Height: 3'



## ORDERING GUIDE

Catalog Number	Finish (A) Black (H) Bronze	Sym Optics K5, L5 or T5	Lamping	Voltage (E) 120 (H) 277	Insulation Detector (P)**	Wattage	Socket
RSB2	(Specify)	T5	F18	(Specify)	n/a	18w PLC18	GX23-2, G24Q-1
RSB2	(Specify)	T5	I	E	(Specify)	40w T10	Medium
RSF2	(Specify)	T5	F18	(Specify)	n/a	18w PLC18	GX23-2, G24Q-1
RSF2	(Specify)	L5	F9	(Specify)	n/a	9w PL9	G23
RSF2	(Specify)	L5	I	E	(Specify)	40w T10	Medium
RSF2	(Specify)	L5	8*	E	(Specify)	(2) 18w 1141 (120/12)	Single Contact Bayonet
RSS2	(Specify)	T5	F18	E	n/a	18w PLC18	GX23-2
RSS2	(Specify)	K5	I	E	(Specify)	40w T10	Medium
RS2-AHO***	Black	Housing Only for Pre-shipment					
RS2-HHO***	Bronze	Housing Only for Pre-shipment					

\* Lamp Included

\*\*Thermal protection device is required for installations in drywall, plaster, wood or other non-masonry materials and must be ordered as an option, except for fluorescent. Add the suffix "P" to the catalog number to order.

\*\*\*When housing only is ordered for pre-shipment, add suffix "LH" (Less Housing) to complete catalog number to order fixture without housing.

# STEPLYTES

Steplytes



**RSC2** ALUMINUM



**RSV2** ALUMINUM



**RSC2** CAST BRONZE



**RSV2** CAST BRONZE

**HOUSING** – Die-cast aluminum back box contains less than 0.3% copper to prevent corrosion in concrete or masonry applications.

**TRIM RING** – Die-cast aluminum trim ring contains less than 0.3% copper to resist corrosion. Cast bronze fixture has polycarbonate, color-impregnated, dark bronze finish.

**FINISH** – Aluminum parts have zinc-rich primer and thermoset powdercoat for durability. Cast bronze has natural finish.

**FACEPLATE** – Die-cast copper-free aluminum with 45° cutoff, with frosted tempered glass. Cast bronze louver is natural cast bronze with frosted tempered glass.

**SOCKET** – Single contact bayonet (S-8), medium, G23, GX23-2 base (120 volt) or G24Q-1 base (277 volt)

**BALLAST** – Fluorescent ballasts are core and coil, NPF Class B, factory wired and tested, rated for 0° C starting temperature. Integral 120/12V transformer is electronic.

**WIRING** – Pre-wired with high temperature #18 wire.

**ADA COMPLIANT** – Compliant when used in indoor and outdoor wall applications.

ETL, cETL Listed.

## ACCESSORIES

Catalog Number	Description
MAKM	Masonry Construction Mounting Kit
MAKNS	New Stud Wall Construction Mounting Kit
MAKES	Existing Stud Wall Construction Mounting Kit

Note: All units supplied with mounting hardware for concrete pour installation. If other mounting kits are required, order accessory above.

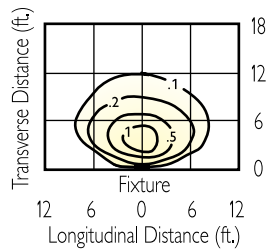
## ISO FOOTCANDLE CONVERSIONS

Light Source	Mounting Height			
	2'	2.5'	3'	4'
PL9 (9w)	2.55	1.63	1.13	.63
PL13 (13w)	3.83	2.45	1.70	.95
T10 (40w)	1.87	1.20	.83	.46
1141 (36w)	2.25	1.44	1.00	.56

## PHOTOMETRIC INFORMATION

### RSC2

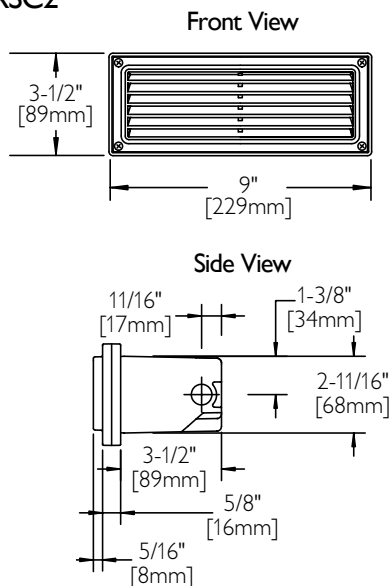
Distribution: Symmetric  
Lamp Wattage: 36W (2-18W) 1141  
Mounting Height: 3'



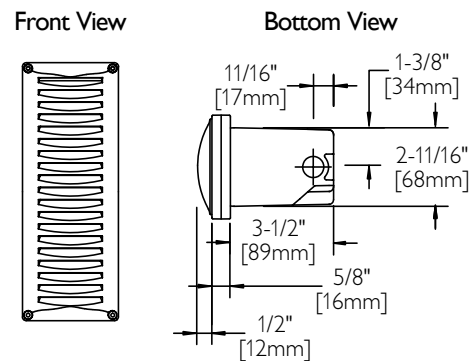
**RSC2** – Symmetric reflector is precision formed, steel with a white reflective coating. The cast louver offers lower light levels with cut-off for lighting stairways or general lighting where shielding of the light source is more important than high light levels.

**RSV2** – Symmetric reflector is precision formed, semi-specular aluminum or highly polished aluminum, which produces a wide symmetric distribution for general area lighting.

### RSC2



### RSV2



## ORDERING GUIDE

Catalog Number	Finish (A) Black (B) White (H) Bronze (N) Natural Cast Bronze	Sym Optics K5	Lamping	Voltage (E) 120 (H) 277	Insulation Detector (P)**	Wattage	Socket	
RSC2	(Specify)	K5	8*	E	(Specify)	(2) 18w 1141 (120/12)	Single Contact Bayonet	
RSC2	(Specify)	K5	F18	(Specify)	n/a	18w PLC18	GX23-2, G24Q-1	
RSC2	(Specify)	K5	F9	(Specify)	n/a	9w PL9	G23	
RSC2	(Specify)	K5	I	E	(Specify)	40w T10	Medium	
RSV2	(Specify)	K5	8*	E	(Specify)	(2) 18w 1141 (120/12)	Single Contact Bayonet	
RSV2	(Specify)	K5	F18	(Specify)	n/a	13w PLC18	GX23-2, G24Q-1	
RSV2	(Specify)	K5	F9	(Specify)	n/a	9w PL9	G23	
RSV2	(Specify)	K5	I	E	(Specify)	40w T10	Medium	
RS2-AHO***	Black	Housing Only for Pre-Shipment						
RS2-BHO***	White	Housing Only for Pre-Shipment						
RS2-HHO***	Bronze	Housing Only for Pre-Shipment						
RS2-NHO***	Natural Cast Bronze	Housing Only for Pre-Shipment						

\* Lamp Included

\*\*Thermal protection device is required for installations in drywall, plaster, wood or other non-masonry materials and must be ordered as an option, except for fluorescent. Add the suffix "P" to the catalog number to order.

\*\*\*When housing only is ordered for pre-shipment, add suffix "LH" (Less Housing) to complete catalog number to order fixture without housing.

# STEPLYTES

Steplytes



## CB100 COMPOSITE

**HOUSING** – Die-cast aluminum back box contains less than 0.3% copper to prevent corrosion in concrete or masonry applications.

**FINISH** – Aluminum parts have zinc-rich primer and thermoset powdercoat for durability composite is color impregnated.

**FACEPLATE** – Injection molded Ryton® composite.

**SOCKET** – Medium base or GX23-2 base.

**BALLAST** – Fluorescent ballasts are core and coil, NPF Class B, factory wired and tested, rated for 0° C starting temperature.

**WIRING** – Pre-wired with high temperature #18 wire.

**ADA COMPLIANT** – Compliant when used in indoor and outdoor wall applications.

ETL, cETL Listed.

## ACCESSORIES

Catalog Number	Description
MAKM	Masonry Construction Mounting Kit
MAKNS	New Stud Wall Construction Mounting Kit
MAKEC	Existing Stud Wall Construction Mounting Kit

Note: All units supplied with mounting hardware for concrete pour installation. If other mounting kits are required, order accessory above.

## ISO FOOTCANDLE CONVERSIONS

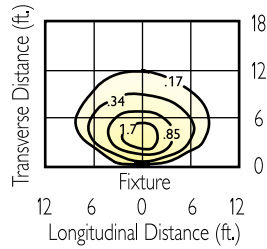
Light Source	Mounting Height			
	2'	2.5'	3'	4'
PL13 (13w)	2.25	1.44	1.00	.56
T10 (40w)	1.87	1.20	.83	.46

**CB100** – Symmetric reflector is precision formed, steel with a white reflective coating. The cast louver offers lower light levels with cut-off for lighting stairways or general lighting where shielding of the light source is more important than high light levels.

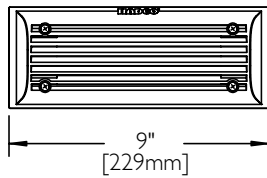
## PHOTOMETRIC INFORMATION

### CB100

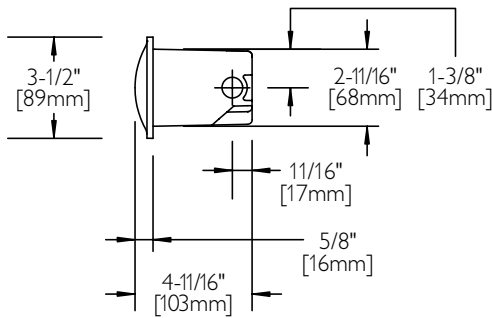
Distribution: Symmetric  
Lamp Wattage: 13W PL13  
Mounting Height: 3'



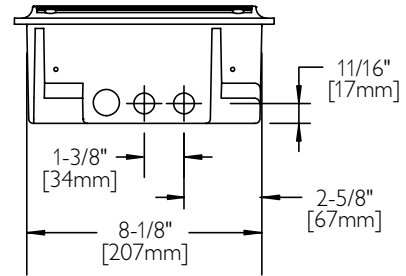
Front View



Side View



Bottom View



## ORDERING GUIDE

Catalog Number	Finish (A) Black (H) Bronze (Specify)	Sym Optics K5	Lamping I	Voltage (E) 120	Insulation Detector (P)* (Specify)	Wattage 40w T10	Socket Medium
CB100	(Specify)	K5	I	E	(Specify)	40w T10	Medium
CB100	(Specify)	K5	F13	E	n/a	13w PLC13	GX23-2

\*Thermal protection device is required for installations in drywall, plaster, wood or other non-masonry materials and must be ordered as an option, except for fluorescent. Add the suffix "P" to the catalog number to order.

# STEPLYTES



**RSB3** POLYCARBONATE

**RSC3** ALUMINUM

**RSC3** CAST BRONZE

**HOUSING** – Die-cast aluminum back box contains less than 0.3% copper to prevent corrosion in concrete or masonry applications.

**TRIM RING** – Die-cast aluminum trim contains less than 0.3% copper to resist corrosion. Cast bronze fixture (RSC3) has polycarbonate, color-impregnated, dark bronze finish.

**FINISH** – Zinc-rich primer and thermoset powdercoat for durability. Cast bronze has natural finish.

**BUBBLE FACEPLATE** – UV stabilized injection molded clear polycarbonate.

**HORIZONTAL LOUVER FACEPLATE** – Die-cast copper-free aluminum with 45° cutoff, with frosted tempered glass. Cast bronze louver is natural cast bronze with frosted tempered glass.

**SOCKET** – All incandescent and HID sockets are medium base. Fluorescent is GX24q-3, T4 is GY6.35 bi-pin.

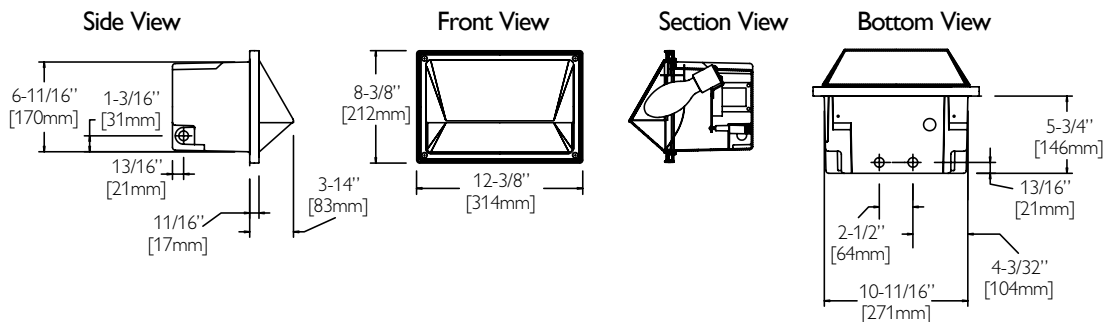
**BALLAST** – HID ballasts are HPF core and coil, factory wired and tested, mounted to a key-slotted removable tray with quick disconnect for easy installation. 120V/12V integral transformer is electronic. Fluorescent ballast is electronic (-20° F cold weather start).

**WIRING** – Pre-wired with high temperature #18 wire.

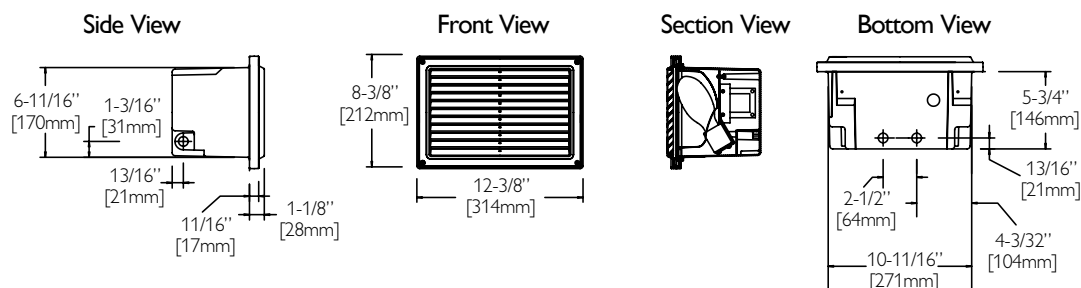
**ADA COMPLIANT** – Compliant when used in indoor and outdoor wall applications.

ETL, cETL Listed.

**RSB3**



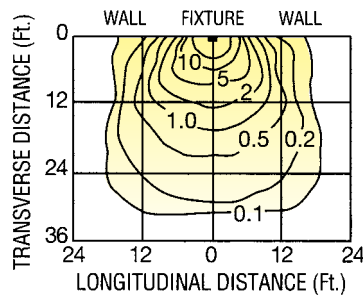
**RSC3**



## ISO FOOTCANDLE CONVERSIONS

Light Source	Mounting Height			
	2'	2.5'	3'	4'
35w HPS	.79	.51	.35	.20
50w HPS	1.41	.90	.63	.35
70w HPS	2.25	1.44	1.00	.56
50w MH	1.20	.77	.53	.30
70w MH	2.1	1.35	.94	.53
26w PL	.63	.41	.28	.16
60w A19	.31	.20	.14	.08
50w T4	.35	.23	.16	.09

## PHOTOMETRIC INFORMATION



RSB3  
 Distribution: Symmetric  
 Lamp/Wattage: 70W HPS  
 Mounting Height: 3'

RSC3 – Specular aluminum symmetric.

RSB3 – Highly polished light diffuse aluminum material.

Symmetric reflector is precision formed, light diffuse aluminum for bubble and specular aluminum for louver which produces a wide distribution for general lighting purposes. The RSC3 frosted lens offers lower light levels with cutoff for lighting stairways or general area lighting where shielding of the light source is more important than high light levels.

Asymmetric reflector is made from a combination semi-specular and light diffuse aluminum material and is precision formed, highly polished aluminum, which is field-adjustable for an asymmetric left or right distribution for lighting stairways. PL lamping not available with asymmetric optics.

## ORDERING GUIDE

Catalog Number	Finish (A) Black (B) White (H) Bronze (N) Natural Cast Bronze	Optics T5 Sym T3 Asym K5 Sym	Lamping	Voltage (E) 120 (H) 277	Insulation Detector (P)**	Wattage	Socket
RSB3	(A,H)	(T3,T5)	4*	E	(Specify)	50w T4	Bi-Pin GY6.35
RSB3	(A,H)	(T3,T5)	S	(Specify)	(Specify)	50w MH	Medium
RSB3	(A,H)	(T3,T5)	T †	(Specify)	n/a	70w MH	Medium
RSB3	(A,H)	(T3,T5)	X	(Specify)	(Specify)	35w HPS	Medium
RSB3	(A,H)	(T3,T5)	V	(Specify)	(Specify)	50w HPS	Medium
RSB3	(A,H)	(T3,T5)	H †	(Specify)	n/a	70w HPS	Medium
RSB3	(A,H)	(T5)	F26	(Specify)	n/a	26w CFL	GX24q-3
RSB3	(A,H)	(T5)	F32	(Specify)	n/a	32w CFL	GX24q-3
RSB3	(A,H)	(T5)	F42	(Specify)	n/a	42w CFL	GX24q-4
RSB3	(A,H)	(T3,T5)	I	E	(Specify)	60w A19	Medium
RSC3	(Specify)	K5	4*	E	(Specify)	50w T4	Bi-Pin GY6.35
RSC3	(Specify)	K5	S †	(Specify)	n/a	50w MH	Medium
RSC3	(Specify)	K5	T †	(Specify)	n/a	70w MH	Medium
RSC3	(Specify)	K5	X	(Specify)	(Specify)	35w HPS	Medium
RSC3	(Specify)	K5	V	(Specify)	(Specify)	50w HPS	Medium
RSC3	(Specify)	K5	H †	(Specify)	n/a	70w HPS	Medium
RSC3	(Specify)	K5	F26	(Specify)	n/a	26w CFL	GX24q-3
RSC3	(Specify)	K5	F32	(Specify)	n/a	32w CFL	GX24q-3
RSC3	(Specify)	K5	F42	(Specify)	n/a	42w CFL	GX24q-4
RSC3	(Specify)	K5	I	E	(Specify)	60w A19	Medium
RS3-AHO***	Black	Housing Only for Pre-Shipment					
RS3-BHO***	White	Housing Only for Pre-Shipment					
RS3-HHO***	Bronze	Housing Only for Pre-Shipment					
RS3-NHO***	Natural Cast Bronze	Housing Only for Pre-Shipment					

\*Integral Low Voltage Transformer

\*\*Thermal protection device is required for installations in drywall, plaster, wood or other non-masonry materials and must be ordered as an option, except for fluorescent. Add the suffix "P" to the catalog number to order.

\*\*\*When housing only is ordered for pre-shipment, add suffix "LH" (Less Housing) to complete catalog number to order fixture without housing.

† Brick, block, or stone installation only.

## ACCESSORIES

Catalog Number	Description
MAKM	Masonry Construction Mounting Kit
MAKNS	New Stud Wall Construction Mounting Kit
MAKES	Existing Stud Wall Construction Mounting Kit

Note: All units supplied with mounting hardware for concrete pour installation. If other mounting kits are required, order accessory above.

# STEPLYTES

Steplytes



## EWVB4 ALUMINUM

**HOUSING** – Semi-recessed water tight die-cast aluminum with polycarbonate lens. Hinges allow for easy re-lamping.

**FASTENERS** – Captive, black oxide stainless steel, tamper resistant.

**FINISH** – Zinc-rich primer and thermoset powdercoat for durability.

**GASKET** – Single piece molded silicone

**SOCKET** – Medium base socket is porcelain, 4kv pulse rated. Bi-pin socket is porcelain.

**REFLECTOR** – Removable, field-adjustable symmetric/asymmetric specular aluminum reflector assembly.

**LENS** – Injection molded, UV stabilized polycarbonate lens with silicone gasketing.

**BALLAST MODULE** – Electrical components are mounted to a key-slotted removable tray with a quick disconnect for easy installation and replacement.

**BALLAST** – Ballast is factory wired and tested. HPF. Starting temperature -20°F.

**WIRING COMPARTMENT** – One (1) 1/2" NPT conduit tap on the back, two (2) 3/4" NPT taps on the bottom and one (1) 3/4" NPT tap on each side for easy through-wiring.

**MOUNTING** – Hardware and template for concrete pour is supplied. Mounting kits for masonry (MAKM) and new (MAKNS) or existing stud walls (MAKES) may be ordered as accessories. An insulation protector is required for installations in drywall, plaster, wood or other non-masonry materials and must be ordered as an option.

**ADA COMPLIANT** – Compliant when used in indoor and outdoor wall applications.

ETL, cETL Listed.

## ACCESSORIES

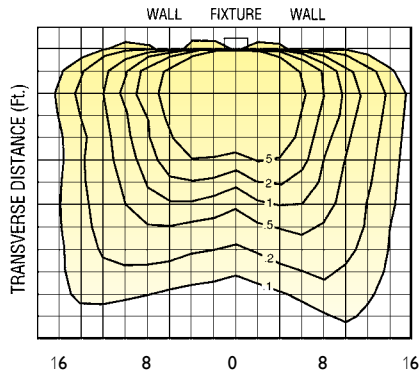
Catalog Number	Description
MAKM	Masonry Construction Mounting Kit
MAKNS	New Stud Wall Construction Mounting Kit
MAKES	Existing Stud Wall Construction Mounting Kit

Note: All units supplied with mounting hardware for concrete pour installation. If other mounting kits are required, order accessory above.

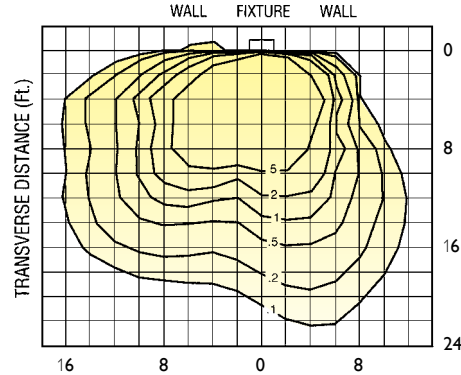
## LAMP MULTIPLIER

39w	50w	70w	100w	35w	50w	70w	100w
MH	MH	MH	MH	HPS	HPS	HPS	HPS
.37	.44	.64	1.0	.25	.44	.76	1.31

## PHOTOMETRIC INFORMATION

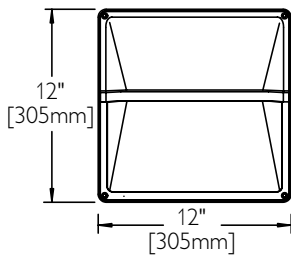


LONGITUDINAL DISTANCE (Ft.)  
Symmetric Distribution  
100w, E17 MH  
Mounting Height: 3'

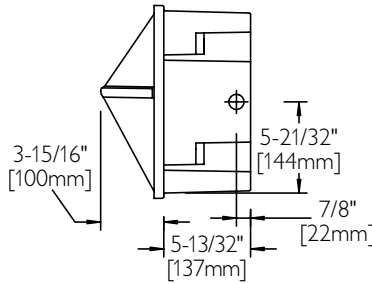


LONGITUDINAL DISTANCE (Ft.)  
Asymmetric Distribution  
100w, E17 MH  
Mounting Height: 3'  
(shown with right position socket)

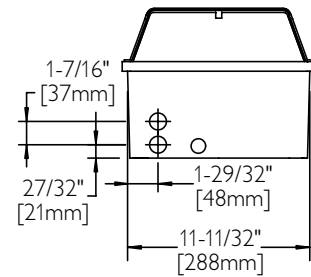
Front View



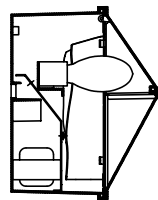
Side View



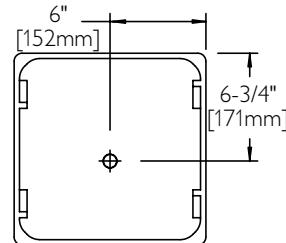
Bottom View



Section View



Back View



## ORDERING GUIDE

Catalog No.	Finish (A) Black (B) White (H) Bronze (X) Silver	Voltage 120, 208 220 50 hz**, 240, 277, 347	Insulation Protection (Optional) Add "P"***	Watt/Lamp	Socket
EWB4039MH	(Specify)	120, 277	(Specify)	39w, T6 MH	Bi-pin
EWB4050MH	(Specify)	120, 277, 347	(Specify)	50w, E17 MH	Medium
EWB4070MH	(Specify)	120, 277, 347	(Specify)	70w, E17 MH	Medium
EWB4070TMH	(Specify)	120, 277, 347	(Specify)	70w, T6 MH	Bi-pin
EWB4100MH	(Specify)	(Specify)	(Specify)	100w, E17 MH	Medium
EWB4035HPS	(Specify)	120	(Specify)	35w, E17 HPS	Medium
EWB4050HPS	(Specify)	(Specify)	(Specify)	50w, E17 HPS	Medium
EWB4070HPS	(Specify)	(Specify)	(Specify)	70w, E17 HPS	Medium
EWB4100HPS	(Specify)	(Specify)	(Specify)	100w, E17 HPS	Medium

\*Insulation protector is required for installations in drywall, plaster, wood or other non-masonry materials and must be ordered as an option – add the suffix "P" to the catalog number. Available in 120/277v only.

\*\*Available in 50, 70, 100 HPS and 70, 100 MH only.

# STEPLYTES

Steplytes



## EWR4 ALUMINUM

**HOUSING** – Semi-recessed water tight die-cast aluminum with glass lens. Hinges allow for easy re-lamping.

**FASTENERS** – Captive, black oxide stainless steel, tamper resistant.

**FINISH** – Zinc-rich primer and thermoset powdercoat for durability.

**SOCKET** – HID models, porcelain socket is medium base, 4kv pulse rated, or porcelain bi-pin. Fluorescent model, 32 watt socket is GX24q-3; 42 watt socket is GX24q-4.

**GASKET** – Single-piece molded silicone.

**REFLECTOR** – Specular aluminum segmented reflector assembly.

**LENS** – Frosted tempered glass lens with silicone gasketing.

**BALLAST MODULE** – Electrical components are mounted to a key-slotted removable tray with a quick disconnect for easy installation and replacement.

**BALLAST** – Ballast is factory wired and tested. HPF. Starting temperature -20°F.

**WIRING COMPARTMENT** – One (1) 1/2" NPT conduit tap on the back, two (2) 3/4" NPT taps on the bottom and one (1) 3/4" NPT tap on each side for easy through-wiring.

**MOUNTING** – Hardware and template for concrete pour is supplied. Mounting kits for masonry (MAKM) and new (MAKNS) or existing stud walls (MAKES) may be ordered as accessories. An insulation protector is required for installations in drywall, plaster, wood or other non-masonry materials and must be ordered as an option.

**ADA COMPLIANT** – Compliant when used in indoor and outdoor wall applications.

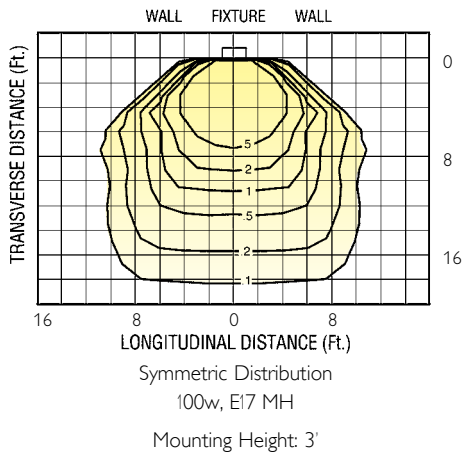
ETL, cETL Listed.

## ACCESSORIES

Catalog Number	Description
MAKM	Masonry Construction Mounting Kit
MAKNS	New Stud Wall Construction Mounting Kit
MAKES	Existing Stud Wall Construction Mounting Kit

Note: All units supplied with mounting hardware for concrete pour installation. If other mounting kits are required, order accessory above.

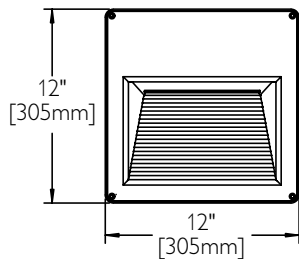
## PHOTOMETRIC INFORMATION



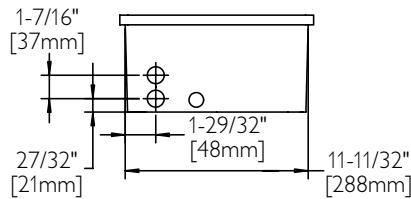
## LAMP MULTIPLIER

32w PLT	42w PLT	39w MH	50w MH	70w MH	100w MH	35w HPS	50w HPS	70w HPS	100w HPS
.27	.35	.37	.44	.64	1.0	.25	.44	.76	1.31

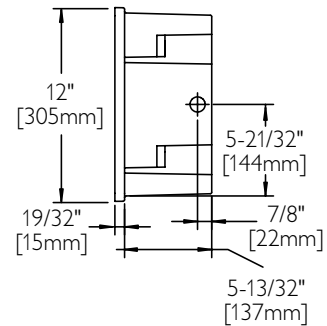
Front View



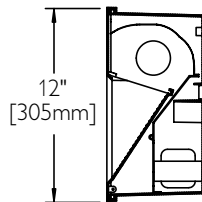
Bottom View



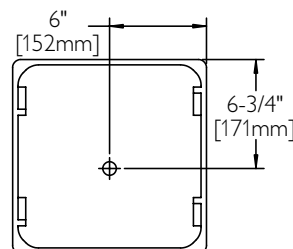
Side View



Section View



Back View



## ORDERING GUIDE

Catalog No.	Finish (A) Black (B) White (H) Bronze (X) Silver	Voltage 120, 208 220 50 hz** 240, 277, 347	Insulation Protection (Optional) Add "P"*	Watt/Lamp	Socket
EWR4039MH	(Specify)	120, 277	(Specify)	39w, T6 MH	Bi pin
EWR4050MH	(Specify)	120, 277, 347	(Specify)	50w, E17 MH	Medium
EWR4070MH	(Specify)	(Specify)	(Specify)	70w, E17 MH	Medium
EWR4070TMH	(Specify)	120, 277, 347	(Specify)	70w, T6 MH	Bi pin
EWR4100MH	(Specify)	(Specify)	(Specify)	100w, E17 MH	Medium
EWR4035HPS	(Specify)	120	(Specify)	35w, E17 HPS	Medium
EWR4050HPS	(Specify)	(Specify)	(Specify)	50w, E17 HPS	Medium
EWR4070HPS	(Specify)	(Specify)	(Specify)	70w, E17 HPS	Medium
EWR4100HPS	(Specify)	(Specify)	(Specify)	100w, E17 HPS	Medium
EWR4026F	(Specify)	120, 208, 240, 277	N/A	26w, PLT-26	GX24q-3
EWR4032F	(Specify)	120, 208, 240, 277	N/A	32w, PLT-32	GX24q-3
EWR4042F	(Specify)	120, 208, 240, 277	N/A	42w, PLT-42	GX24q-4

\*Insulation protector is required for installations in drywall, plaster, wood or other non-masonry materials with the exception of fluorescent lamping and must be ordered as an option – add the suffix "P" to the catalog number. Available in 120/277v only.

\*\*Available in 50, 70, 100 HPS and 70, 100 MH only.

# STEPLYTES

Steplytes



**RRB1** POLYCARBONATE



**RRC1** ALUMINUM



**RRF1** POLYCARBONATE

**HOUSING** – Aluminum die-casting containing less than 0.3% copper to prevent corrosion in concrete applications.

**FINISH** – Zinc-rich primer and thermoset powdercoat for durability.

**SOCKET** – Sockets are pre-wired with high temperature #18 wire.

**FASTENERS** – Captive, black oxide stainless steel.

**GASKET** – Single-piece molded silicone to prevent water, dust, and insect infiltration.

**LENS** – RRB1: UV stabilized injection molded clear polycarbonate bubble lens, allowing positioning of lamp to project out of the wall enabling an efficient wide distribution. RRC1: Tempered glass spread lens for uniform light distribution. RRF1: UV stabilized injection molded opal polycarbonate allowing 80% light transmission for general lighting applications or where a marker is required.

**REFLECTOR** – Reflector is formed from highly reflective aluminum.

**WIRING COMPARTMENT** – Internal wiring compartment contains two (2) 1/2" NPT conduit taps in the bottom and one (1) 1/2" NPT conduit tap in both sides. A removable plug will be provided for one (1) tap.

**CAST LOUVER** – Die-cast aluminum, offering 45° shielding.

**ADA COMPLIANT** – Compliant when used in indoor and outdoor wall applications.

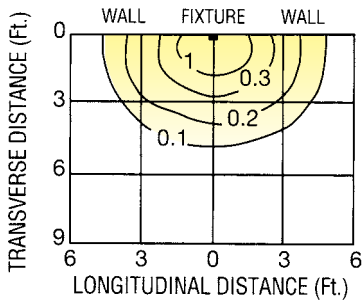
ETL, cETL Listed.

## ACCESSORIES

Catalog Number	Description
MAKM	Masonry Construction Mounting Kit
MAKNS	New Stud Wall Construction Mounting Kit
MAKES	Existing Stud Wall Construction Mounting Kit

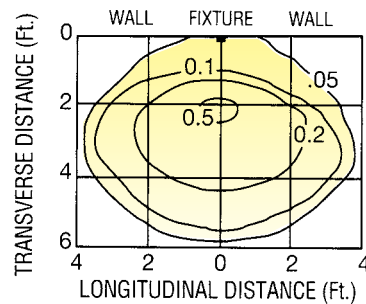
Note: All units supplied with mounting hardware for concrete pour installation. If other mounting kits are required, order accessory above.

## PHOTOMETRIC INFORMATION



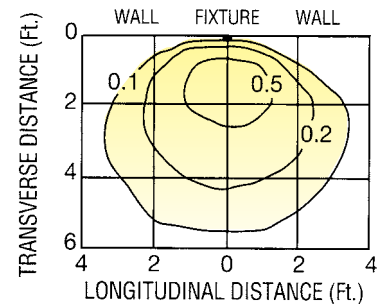
**RRB1** – Bubble lens offers efficient wide distribution.

Distribution: Symmetric  
Lamp/Wattage: 15w T7  
Mounting Height: 2'



**RRC1** – Cast louver and frosted lens offer lower light levels with cutoff for lighting stairways or general area lighting where shielding of the light source is more important than high light levels.

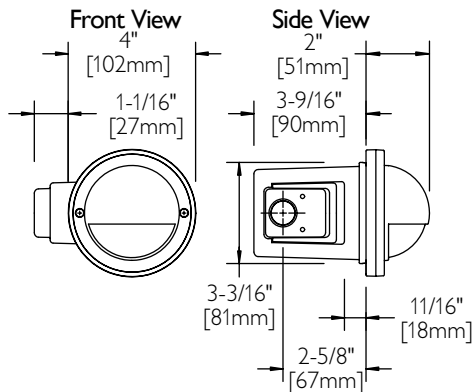
Distribution: Symmetric  
Lamp/Wattage: 15w T7  
Mounting Height: 2'



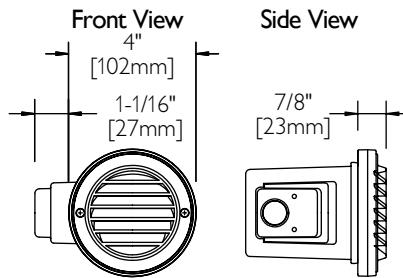
**RRF1** – Opal lens is used as a marker or for general lighting.

Distribution: Symmetric  
Lamp/Wattage: #93  
Mounting Height: 2'

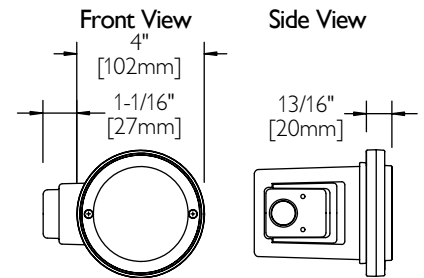
### RRB1



### RRC1



### RRF1



## ORDERING GUIDE

Catalog Number	Finish (A) Black (B) White (H) Bronze	Insulation Detector (P)*	Face Plate	Voltage	Max. Wattage	Lamping	Socket
RRB1I	(A, H)	(Specify)	Bubble	120	15w	T7	Double Contact Bay
RRC1I	(Specify)	(Specify)	Cast Louver	120	15w	T7	Double Contact Bay
RRF1I	(A, H)	(Specify)	Opal Lens	120	15w	T7	Double Contact Bay

\*Insulation protector is required for installations in drywall, plaster, wood or other non-masonry materials with the exception of fluorescent lamping and must be ordered as an option – add the suffix "P" to the catalog number.

# STEPLYTES

Steplytes



**RRB3** POLYCARBONATE

**RRC3** ALUMINUM

**HOUSING** – Die-cast aluminum back box contains less than 0.3% copper to prevent corrosion in concrete or masonry applications.

**TRIM RING** – Die-cast aluminum trim contains less than 0.3% copper to resist corrosion.

**FINISH** – Aluminum parts have zinc-rich primer and thermoset powdercoat for durability.

**BUBBLE FACEPLATE** – UV stabilized injection molded clear polycarbonate.

**HORIZONTAL LOUVER FACEPLATE** – Die-cast copper-free aluminum with 45° cut off, with frosted tempered glass.

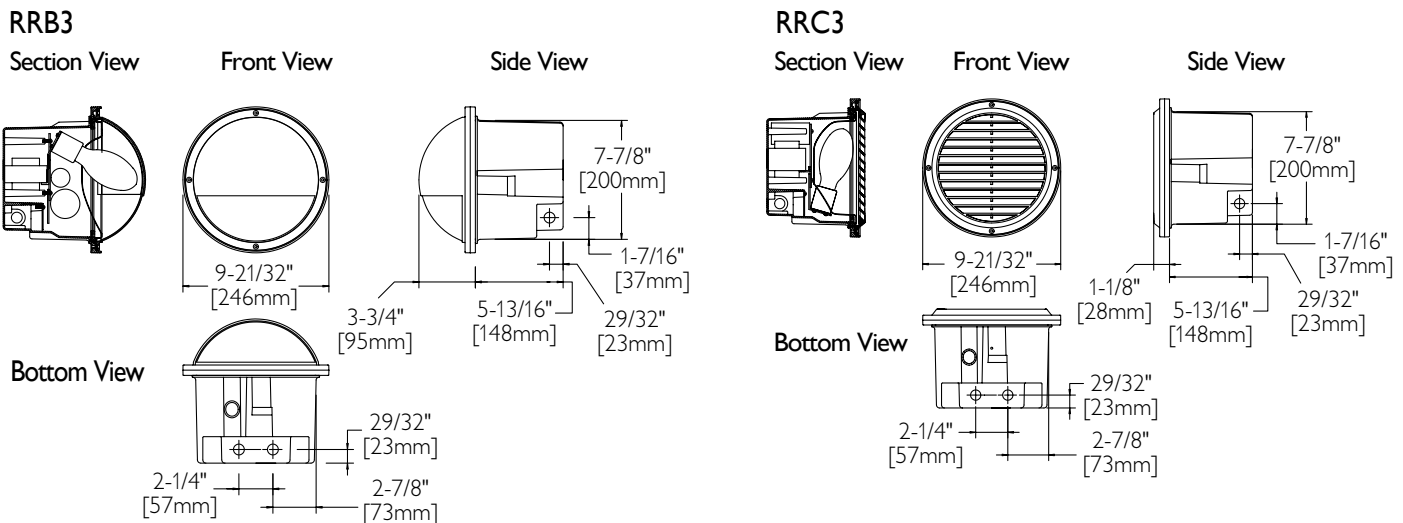
**SOCKET** – All incandescent and HID sockets are medium base. Fluorescent is GX24q-3 and GX24q-4. T4 is GY6.35 bi-pin.

**BALLAST** – HID ballasts are HPF core and coil, factory wired and tested, mounted to a key-slotted removable tray with quick disconnect for easy installation. 120V/12V integral transformer is electronic. Fluorescent ballast is electronic (-20°F cold weather start).

**WIRING** – Pre-wired with high temperature #18 wire.

**ADA COMPLIANT** – Compliant when used in indoor and outdoor wall applications.

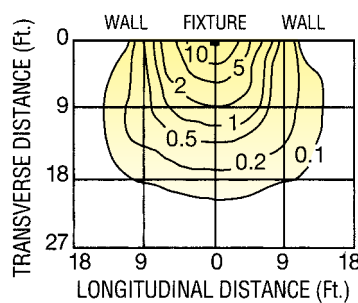
ETL, cETL Listed.



## ISO FOOTCANDLE CONVERSIONS

Light Source	Mounting Height			
	2'	2.5'	3'	4'
35w HPS	1.49	.95	.66	.37
50w HPS	2.65	1.69	1.18	.66
70w HPS	4.24	2.71	1.88	1.05
50w MH	2.25	1.44	1.00	.56
70w MH	3.97	2.54	1.76	.99
26w PL	1.19	.76	.53	.30
60w A19	.59	.38	.26	.15
50w T4	.66	.42	.29	.16

## PHOTOMETRIC INFORMATION



### RRB3

Distribution: Symmetric  
Lamp/Wattage: 50w MH  
Mounting Height: 3'

**RRB3** – Symmetric reflector is precision formed, light diffuse aluminum, which produces a wide symmetric distribution for general lighting. Asymmetric reflector is precision formed, semi-specular and light diffuse aluminum, which is field-adjustable for an asymmetric right or left distribution for lighting stairways. PL lamping not available in asymmetric.

**RRC3** – Asymmetric reflector is precision formed, highly polished specular aluminum. The frosted lens and cast louver offer lower light levels with cutoff for lighting stairways or general area lighting where shielding of the light source is more important than high light levels.

## ACCESSORIES

Catalog Number	Description
MAKM	Masonry Construction Mounting Kit
MAKNS	New Stud Wall Construction Mounting Kit
MAKES	Existing Stud Wall Construction Mounting Kit

Note: All units supplied with mounting hardware for concrete pour installation. If other mounting kits are required, order accessory above.

## ORDERING GUIDE

Catalog Number	Finish (A) Black (B) White (H) Bronze	Optics T5 Sym T3 Asym K5 Sym	Lamping	Voltage (E) 120 (H) 277	Insulation Detector (P)**	Wattage	Socket
RRB3	(Specify)	K5	4*	E	(Specify)	50w T4	Bi-Pin GY6.35
RRB3	(Specify)	K5	S †	(Specify)	n/a	50w MH	Medium
RRB3	(Specify)	K5	X	(Specify)	(Specify)	35w HPS	Medium
RRB3	(Specify)	K5	V †	(Specify)	n/a	50w HPS	Medium
RRB3	(Specify)	K5	F26	(Specify)	n/a	26w CFL	GX24q-3
RRB3	(Specify)	K5	F32	(Specify)	n/a	32w CFL	GX24q-3
RRB3	(Specify)	K5	F42	(Specify)	n/a	42w CFL	GX24q-4
RRB3	(Specify)	K5	I	E	(Specify)	60w A19	Medium
RRB3	(A,H)	(T3,T5)	4*	E	(Specify)	50w T4	Bi-Pin GY6.35
RRB3	(A,H)	(T3,T5)	S	(Specify)	(Specify)	50w MH	Medium
RRB3	(A,H)	(T3,T5)	T †	(Specify)	n/a	70w MH	Medium
RRB3	(A,H)	(T3,T5)	X	(Specify)	(Specify)	35w HPS	Medium
RRB3	(A,H)	(T3,T5)	V	(Specify)	(Specify)	50w HPS	Medium
RRB3	(A,H)	(T3,T5)	H †	(Specify)	n/a	70w HPS	Medium
RRB3	(A,H)	(T3,T5)	F26	(Specify)	n/a	26w CFL	GX24q-3
RRB3	(A,H)	(T3,T5)	F32	(Specify)	n/a	32w CFL	GX24q-3
RRB3	(A,H)	(T3,T5)	F42	(Specify)	n/a	42w CFL	GX24q-4
RRB3	(A,H)	(T3,T5)	I	E	(Specify)	60w A19	Medium
RR3-AHO***	Black	Housing Only for Pre-Shipment					
RR3-BHO***	White	Housing Only for Pre-Shipment					
RR3-HHO***	Bronze	Housing Only for Pre-Shipment					

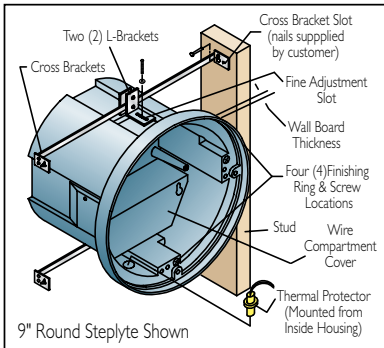
\*Integral Low Voltage Transformer

\*\*Thermal protection device is required for installations in drywall, plaster, wood or other non-masonry materials and must be ordered as an option, except for fluorescent. Add the suffix "P" to the catalog number to order.

\*\*\*When housing only is ordered for pre-shipment, add suffix "LH" (Less Housing) to complete catalog number to order fixture without housing.

† Brick, block, or stone installation only.

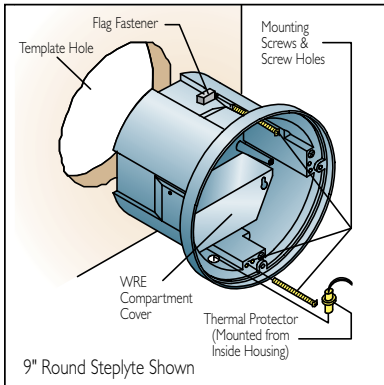
# STEPLYTES INSTALLATION LINE VOLTAGE



## INSTALLATION FOR NEW STUD WALL

(Use Accessory Kit #MAKNS)

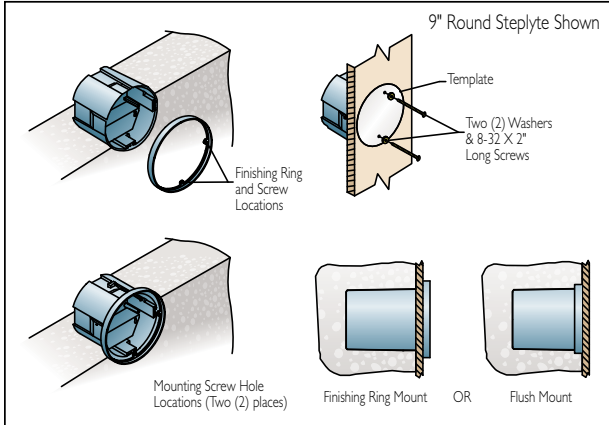
- Using the supplied template, cut a level hole through the existing wall between studs. (Failure to level hole will cause fixture to have tilted appearance.)
- Mount L-brackets onto top and bottom of housing with screws positioned in center of slots.
- Insert cross brackets through L-brackets.
- Position fixture so the back of the finishing ring extends past the studs the thickness of the wallboard.
- Level fixture and hammer tabs on cross brackets into studs. Nail brackets securely to studs.
- Fine adjust fixture position and tighten any loose screws.
- Remove the 1/2" NPT plugs from the sides/bottom of the housing and pull the supply wire through into the housing.
- Remove finishing ring by removing flathead screws.
- Install wallboard.
- Replace finishing ring.
- Install thermal protector (attached to electrical chassis).



## INSTALLATION FOR EXISTING STUD WALL

(Use Accessory Kit #MAKES)

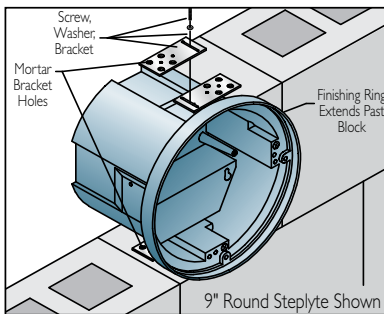
- Using the supplied template, cut a level hole through the existing wall between studs. (Failure to level hole will cause fixture to have tilted appearance.)
- Push the mounting screws through the housing holes and into rear channels. (Note: a thin membrane covers the housing holes and may require forcing the screws through by tapping them lightly with a hammer.)
- Place flags flat on rear of housing. Thread screws into and through the flags.
- Remove the 1/2" NPT plugs from the sides/bottom of the housing and pull the supply wire through into the housing. (Through wiring not recommended.)
- Remove wiring compartment screw and wiring compartment from housing.
- Push housing into the hole in the wall.
- Tighten the mounting screws until the flag fasteners are drawn tight against the inner surface of the wall.
- Replace wiring compartment in its original position and replace screw.
- Install thermal protector (attached to electrical chassis).



## INSTALLATION FOR CONCRETE POUR

(Hardware included with each fixture)

- Level supplied template on wood support frame and drill 3/16" diameter clearance holes as marked.
- Remove the 1/2" NPT plugs from the sides/bottom of the housing.
- Install plastic protective shield (if supplied) into housing.
- Pull the supply wire through into the housing. (Through wiring not recommended.) Be sure all unused electrical plugs are replaced. Finishing ring may be removed now and replaced after concrete pour.
- Secure housing to wood support with screws supplied in hardware packet.
- Pour concrete.
- If finishing ring was removed, replace it and tighten flathead screws. If screws are not tight, fixture may leak.

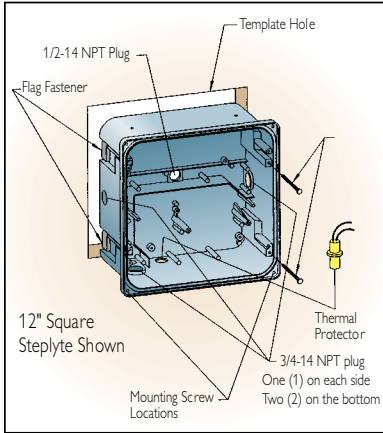


## INSTALLATION FOR MASONRY

(Use Accessory Kit #MAKM)

- Install screw through washer and lower masonry brackets and into tapped hole on bottom of the housing.
- Remove the 1/2" NPT plugs from the sides/bottom of the housing and pull the supply wire through into the housing.
- Be sure to use proper connections per NEC and local codes.
- Press housing and lower masonry brackets into the mortar so that mortar comes through the holes of the brackets.
- Continue laying block until level with the top of the fixture. Install the two upper masonry brackets into the housing as in Step 1.
- Finish laying mortar and block over top of the fixture.

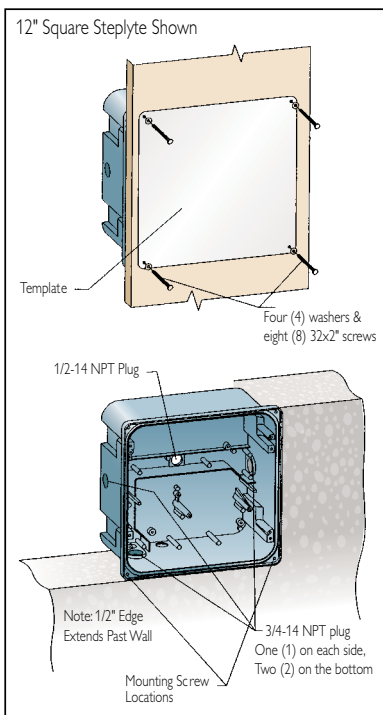
# STEPLYTES INSTALLATION LINE VOLTAGE



## INSTALLATION FOR NEW OR EXISTING STUD WALL

(Use Accessory Kit #MAKES)

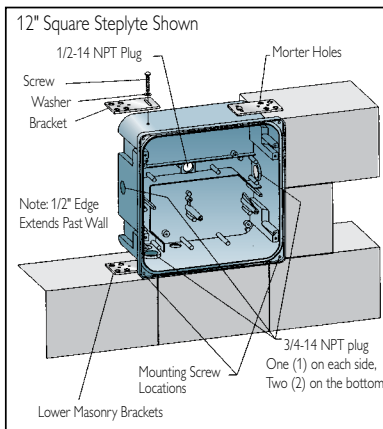
1. Using the supplied template, cut a level hole through the existing wall between studs. (Failure to level hole will cause fixture to have tilted appearance.)
2. Push the four (4) mounting screws through the housing holes and into rear channels. (Note: a thin membrane covers the housing holes and may require forcing the screws through by tapping them lightly with a hammer.)
3. Place flags flat on rear of housing. Thread screws into and through the flags.
4. Remove the desired 1/2" NPT plugs from the side(s)/back/bottom of the housing and pull the supply wire through into the housing.
5. Be sure to use proper connections per NEC and local codes.
6. Push housing into the hole in the wall.
7. Tighten the mounting screws until the flag fasteners are drawn tight against the inner surface of the wall.
8. Install thermal protector.



## INSTALLATION FOR CONCRETE POUR

(Hardware included with each fixture)

1. Level supplied template on wood support frame and drill four (4) 3/16" diameter clearance holes as marked. (Failure to level template will cause the fixture to have a tilted appearance.)
2. Remove the desired 1/2" NPT plug(s) from the side(s)/back/bottom of the housing and pull the supply wire through into the housing.
3. Be sure to use proper connections per NEC and local codes.
4. Install the protective cover (if supplied) on the housing and make sure all unused electrical plugs are replaced.
5. Secure housing to wood support with screws supplied in hardware packet.
6. Pour concrete.



## INSTALLATION FOR MASONRY

(Use Accessory Kit #MAKM)

1. Install two (2) screws through washers and lower masonry brackets and into tapped holes on bottom of the housing.
2. Remove desired NPT plug(s) from the side(s)/back/bottom of the housing and pull the supply wire through into the housing.
3. Be sure to use proper connections per NEC and local codes.
4. Press housing with lower masonry brackets into the mortar so that mortar comes through the holes of the brackets.
5. Continue laying block until level with the top of the fixture. Install the two upper masonry brackets into the housing as in Step 1.
6. Finish laying mortar and block over top of the fixture.

# Line Voltage Walkway Lighting

Our line voltage pathlytes, bollards and beacons unlock the options for all types of residential and commercial applications.

In this section, you'll find forms and functions finely suited for all types of environments: from public courtyard and university campus to secluded backyard promenade.

Our variety of finishes and materials ensure that our walkway fixtures will blend into your environment ... or stand out and make a statement.





# PATHLYTES



## MU5 ALUMINUM

**MU5-A** Black                      **MU5-G** Verde  
**MU5-H** Bronze                    **MU5-U** Sienna

**MU5-T** Speckled Stone

- 120 Volt
- 100 watt maximum
- A19 Lamp
- 1/2" NPS fitter

**HOUSING** – Die-cast aluminum with stainless steel hinges and spring latch providing tool-less entry.

**FINISH** – Black, bronze, speckled stone or sienna thermoset powdercoat. Hand-rubbed verde antiqued over black powdercoat.

**LENS** – Frosted, tempered glass sprinkler shield with molded silicone gaskets.

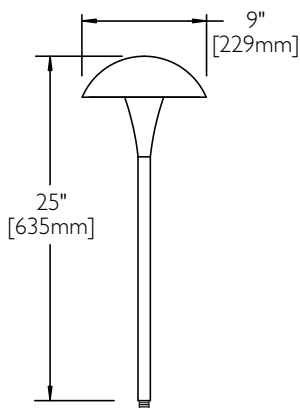
**SOCKET** – Porcelain medium base.

**WIRING** – Incandescent pre-wired with high temperature #18 wire.

ETL, cETL Listed.

Recommended Spacing - MU5 - 10'  
Horizontal footcandles

Volt/Lamp	1'	2'	3'	4'	5'	6'	7'	8'	9'
120V, 100W A19	9.62	1.52	.46	.17	.10	.05	.03	-	-



## MU5 BRASS

**MU5-N** Natural Brass            **MU5-OB** Oiled Brass

- 120 Volt
- 100 watt maximum
- A19 Lamp
- 1/2" NPS fitter

**HOUSING** – Die-cast brass with stainless steel hinges and spring latch, providing tool-less entry.

**FINISH** – Natural brass or oiled brass.

**LENS** – Frosted, tempered glass sprinkler shield ---with molded silicone gaskets.

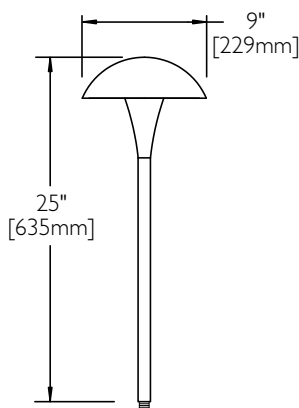
**SOCKET** – Porcelain medium base.

**WIRING** – Incandescent pre-wired with high temperature #18 wire.

ETL, cETL Listed.

Recommended Spacing - MU5 - 10'  
Horizontal footcandles

Volt/Lamp	1'	2'	3'	4'	5'	6'	7'	8'	9'
120V, 100W A19	9.62	1.52	.46	.17	.10	.05	.03	-	-



## MU3 ALUMINUM

**MU3-A** Black                      **MU3-G** Verde

**MU3-H** Bronze                    **MU3-T** Speckled Stone

**MU3-U** Sienna

- 120 Volt
- 150 watt maximum
- A21 Lamp
- 1/2" NPS fitter

**HOUSING** – Die-cast aluminum roof and lamp holder with aluminum stem.

**FINISH** – Black, bronze, speckled stone or sienna thermoset powdercoat. Hand-rubbed verde antiqued over black thermoset powdercoat

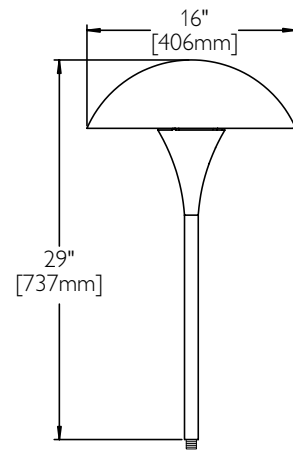
**SOCKET** – Porcelain medium base.

**WIRING** – Pre-wired with high temperature #18 wire.

ETL, cETL Listed.

Recommended Spacing - MU3 - 17'  
Horizontal footcandles

Volt/Lamp	1'	2'	3'	4'	5'	6'	7'	8'	9'
120V, 150W A21	58	26	14	6.4	3.6	2.0	1.0	.5	.2





## TU3 ALUMINUM

### TU3-G Verde

- 120 Volt
- 100 watt maximum
- A19 Lamp
- 1/2" NPS fitter

**HOUSING** – One-piece cast aluminum with aluminum stem.

**FINISH** – Hand-rubbed verde antiqued over black thermoset powdercoat.

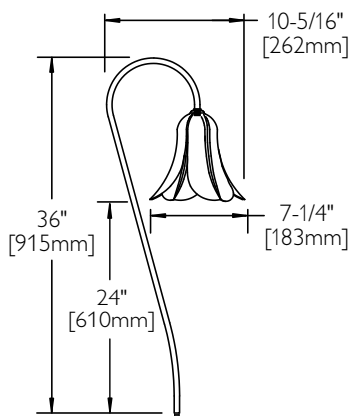
**SOCKET** – Porcelain medium base.

**WIRING** – Incandescent fixtures are pre-wired with high temperature #18 wire.

ETL, cETL Listed.

Recommended Spacing - TU3-G - 13'  
Horizontal footcandles

Volt/Lamp	1'	2'	3'	4'	5'	6'	7'	8'	9'
120V, 100W A19	15.6	9.3	4.6	2.0	1.8	.3	.1	-	-



## T39 ALUMINUM

### T39-G Verde

- 120 Volt
- 100 watt maximum
- A19 Lamp
- 1/2" NPS fitter
- Stem not included, order separately

**HOUSING** – Die-cast aluminum construction.

**FINISH** – Hand-rubbed verde antiqued over black thermoset powdercoat.

**SOCKET** – Porcelain medium base.

**WIRING** – Incandescent fixtures are pre-wired with high temperature #18 wire.

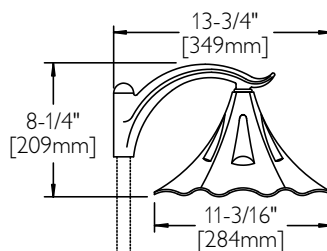
ETL, cETL Listed.

#### Optional Stems

Catalog No.	Finish	Description
S12	G-Verde	Stem-12", 1/2" NPS
S24	G-Verde	Stem-24", 1/2" NPS
S36	G-Verde	Stem-36", 1/2" NPS

Recommended Spacing - T39-G - 10'  
Horizontal footcandles

Volt/Lamp	1'	2'	3'	4'	5'	6'	7'	8'	9'
120V, 100W A19	19.5	5.4	1.8	.6	.25	.08	-	-	-



## TR5 ALUMINUM

### TR5-G Verde

- 120 Volt
- 100 watt maximum
- A19 Lamp
- 1/2" NPS fitter

**HOUSING** – Die-cast aluminum with stainless steel hinges and spring latch provide tool-less entry.

**FINISH** – Hand-rubbed verde antiqued over black thermoset powdercoat.

**LENS** – Frosted, tempered glass sprinkler shield with molded silicone gaskets.

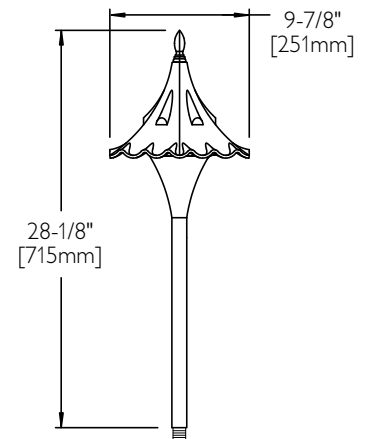
**SOCKET** – Porcelain medium base.

**WIRING** – Incandescent fixtures are pre-wired with high temperature #18 wire.

ETL, cETL Listed.

Recommended Spacing - TR5-G - 13'  
Horizontal footcandles

Volt/Lamp	1'	2'	3'	4'	5'	6'	7'	8'	9'
120V, 100W A19	17.4	6.1	3.5	2.0	1.0	.4	.035	-	-



# PATHLYTES



## SK2 ALUMINUM

### SK2-G Verde (matte)

- 120 Volt
- 60 watt maximum
- A19 Lamp
- 1/2" NPS fitter
- Stem not included, order separately

**HOUSING** – Die-cast aluminum construction.

**FINISH** – Hand-rubbed verde antiqued over black thermoset powdercoat.

**SOCKET** – Porcelain medium base.

**WIRING** – Incandescent fixtures are pre-wired with high temperature #18 wire.

ETL, cETL Listed.



## KC2 ALUMINUM

### KC2-G Verde (matte)

- 120 Volt
- 60 watt maximum
- A19 Lamp
- 1/2" NPS fitter
- Stem not included, order separately

**HOUSING** – Cast aluminum decorative coolie cap secured to spider bracket.

**FINISH** – Hand-rubbed verde antiqued over black thermoset powdercoat.

**SOCKET** – Porcelain medium base.

**WIRING** – Incandescent fixtures are pre-wired with high temperature #18 wire.

ETL, cETL Listed.



## KC3 ALUMINUM

### KC3-G Verde (matte)

- 120 Volt
- 60 watt maximum
- A19 Lamp
- 3" Tubing included

**HOUSING** – Cast aluminum decorative coolie cap secured to spider bracket and post fitter.

**FINISH** – Hand-rubbed verde antiqued over black thermoset powdercoat.

**SOCKET** – Porcelain medium base.

**WIRING** – Incandescent fixtures are pre-wired with high temperature #18 wire.

ETL, cETL Listed.

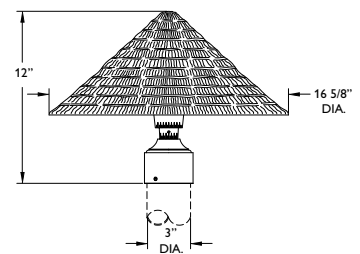
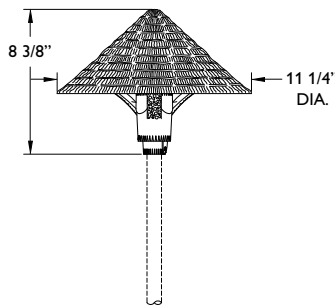
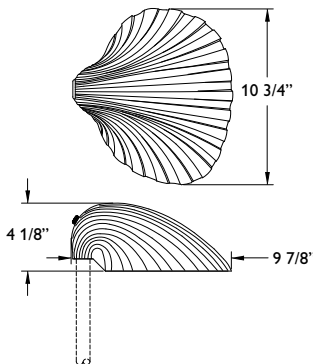
### Optional Stems

Catalog No.	Finish	Description
S12	G-Verde	Stem-12", 1/2" NPS
S24	G-Verde	Stem-24", 1/2" NPS
S36	G-Verde	Stem-36", 1/2" NPS



### Optional Stems

Catalog No.	Finish	Description
S12	G-Verde	Stem-12", 1/2" NPS
S24	G-Verde	Stem-24", 1/2" NPS
S36	G-Verde	Stem-36", 1/2" NPS





## AVS3 ALUMINUM

AVS3-A Black (*matte*)    AVS3-G Verde (*matte*)  
 AVS3-H Bronze (*matte*)

- 120 Volt
- A19 Lamp
- Stem not included, order separately
- 60 watt maximum
- 1/2" NPS fitter

**HOUSING** – Cast aluminum cage and decorative arm.

**FINISH** – Black thermoset, bronze, hand-rubbed verde antiqued over black thermoset powdercoat.

**LENS** – Clear polycarbonate fresnel lens.

**SOCKET** – Inverted porcelain medium base.

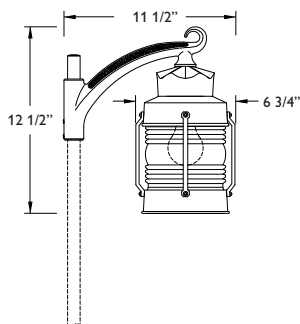
**WIRING** – Incandescent fixtures are pre-wired with high temperature #18 wire.

ETL, cETL Listed.

### Optional Stems

Catalog No.	Finish	Description
S12	(Specify)*	Stem-12", 1/2" NPS
S24	(Specify)*	Stem-24", 1/2" NPS
S36	(Specify)*	Stem-36", 1/2" NPS

\*Specify Finishes: G-Verde, A-Black, H-Bronze



## AV3 ALUMINUM

AV3-A Black (*matte*)    AV3-G Verde (*matte*)  
 AV3-H Bronze (*matte*)

- 120 Volt
- A19 Lamp
- Stem not included, order separately
- 60 watt maximum
- 1/2" NPS fitter

**HOUSING** – Cast aluminum cage and decorative roof.

**FINISH** – Hand-rubbed verde antiqued over black thermoset powdercoat.

**LENS** – Clear polycarbonate fresnel lens.

**SOCKET** – Porcelain medium base.

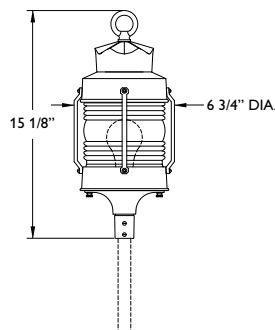
**WIRING** – Incandescent fixtures are pre-wired with high temperature #18 wire.

ETL, cETL Listed.

### Optional Stems

Catalog No.	Finish	Description
S12	(Specify)*	Stem-12", 1/2" NPS
S24	(Specify)*	Stem-24", 1/2" NPS
S36	(Specify)*	Stem-36", 1/2" NPS

\*Specify Finishes: G-Verde, A-Black, H-Bronze



## A42 ALUMINUM

A42-G Verde    A42-U Sienna  
 A42-T Speckled Stone

- 120 Volt
- A19 Lamp
- Stem not included, order separately
- 60 watt maximum
- 1/2" NPS fitter

**HOUSING** – Die-cast aluminum construction. Removable roofs for easy relamping.

**FINISH** – Hand-rubbed verde antiqued over black thermoset powdercoat. Speckled stone, or sienna thermoset powdercoat.

**LENS** – Opalescent glass panels, removable for cleaning.

**SOCKET** – Porcelain medium base.

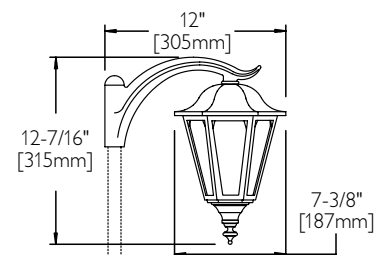
**WIRING** – Incandescent fixtures are pre-wired with high temperature #18 wire.

ETL, cETL Listed.

### Optional Stems

Catalog No.	Finish	Description
S12	(Specify)*	Stem-12", 1/2" NPS
S24	(Specify)*	Stem-24", 1/2" NPS
S36	(Specify)*	Stem-36", 1/2" NPS

\*Specify Finishes: G-Verde (shown), T-Speckled Stone, U-Sienna



**PHILIPS**  
**HADCO**

# PATHLYTES



## A43 ALUMINUM

**A43-G** Verde

**A43-U** Sienna

**A43-T** Speckled Stone

- 120 Volt
- 60 watt maximum
- A19 Lamp
- 1/2" NPS fitter
- Stem not included, order separately

**HOUSING** – Die-cast aluminum construction. Removable roofs for easy relamping.

**FINISH** – Hand-rubbed verde antiqued over black thermoset powdercoat. Speckled stone, or sienna thermoset powdercoat.

**LENS** – Opalescent glass panels, removable for cleaning.

**SOCKET** – Porcelain medium base.

**WIRING** – Incandescent fixtures are pre-wired with high temperature #18 wire.

ETL, cETL Listed.

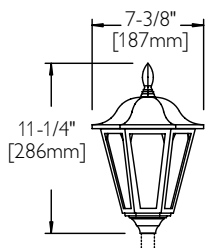
### Optional Stems

Catalog No.	Finish	Description
S12	(Specify)*	Stem-12", 1/2" NPS
S24	(Specify)*	Stem-24", 1/2" NPS
S36	(Specify)*	Stem-36", 1/2" NPS

\*Specify Finishes: G-Verde (shown), T-Speckled Stone, U-Sienna

Recommended Spacing - A43 - 14'  
Horizontal footcandles

Volt/Lamp	1'	2'	3'	4'	5'	6'	7'	8'	9'
120V, 60W A19	12.5	5.8	2.4	1.2	.6	.4	.2	.1	-



## OP1 ALUMINUM

**OP1-A** Black (matte)

**OP1-G** Verde (matte)

- 120 Volt
- 60 watt maximum
- A19 Lamp
- 1/2" NPS fitter
- Stem not included, order separately

**HOUSING** – Cast aluminum ball finial and oriental roof. Two-piece aluminum oriental cage with cone bottom.

**FINISH** – Black thermoset, hand-rubbed verde antiqued over black thermoset powdercoat.

**LENS** – White Acrylic Tubing.

**SOCKET** – Porcelain medium base.

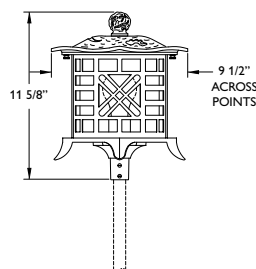
**WIRING** – Incandescent fixtures are pre-wired with high temperature #18 wire.

ETL, cETL Listed.

### Optional Stems

Catalog No.	Finish	Description
S12	(Specify)*	Stem-12", 1/2" NPS
S24	(Specify)*	Stem-24", 1/2" NPS
S36	(Specify)*	Stem-36", 1/2" NPS

\*Specify Finishes: G-Verde, A-Black



## OPS1 ALUMINUM

**OPS1-A** Black (matte)

**OPS1-G** Verde (matte)

- 120 Volt
- 60 watt maximum
- A19 Lamp
- 1/2" NPS fitter
- Stem not included, order separately

**HOUSING** – Cast aluminum decorative arm and oriental roof. Three-piece aluminum oriental cage.

**FINISH** – Black thermoset, hand-rubbed verde antiqued over black thermoset powdercoat.

**LENS** – White Acrylic Tubing.

**SOCKET** – Inverted porcelain medium base.

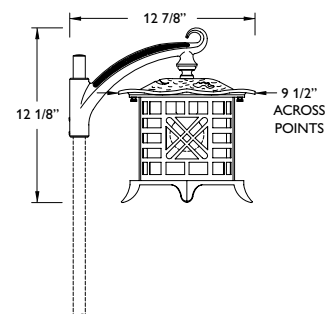
**WIRING** – Incandescent fixtures are pre-wired with high temperature #18 wire.

ETL, cETL Listed.

### Optional Stems

Catalog No.	Finish	Description
S12	(Specify)*	Stem-12", 1/2" NPS
S24	(Specify)*	Stem-24", 1/2" NPS
S36	(Specify)*	Stem-36", 1/2" NPS

\*Specify Finishes: G-Verde, A-Black





## DK5 ALUMINUM

**DK5-A** Black (*matte*)      **DK5-G** Verde (*matte*)

- 120 Volt
- 60 watt maximum
- A19 Lamp
- Grounded Wall Plug

**HOUSING** – Cast aluminum cage and decorative roof. 4 Cast aluminum legs.

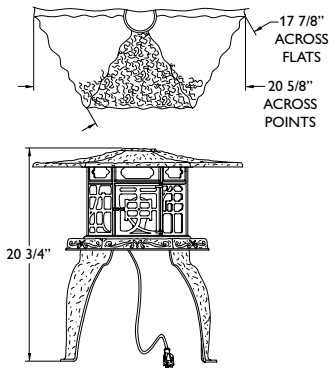
**FINISH** – Black thermoset, hand-rubbed verde antiqued over black thermoset powdercoat.

**LENS** – Opal Acrylic panels included.

**SOCKET** – Porcelain medium base.

**WIRING** – 12' long 16-3 electrical cord with 3 prong grounded wall plug.

ETL, cETL Listed.



## VP2 ALUMINUM

**VP2-A** Black (*matte*)      **VP2-G** Verde (*matte*)

- 120 Volt
- 60 watt maximum
- A19 Lamp
- 1/2" NPS fitter
- Stem not included, order separately

**HOUSING** – Cast aluminum oriental finial and roof attached to oriental cage with cone bottom.

**FINISH** – Black thermoset, hand-rubbed verde antiqued over black thermoset powdercoat.

**LENS** – White Acrylic Tubing.

**SOCKET** – Porcelain medium base.

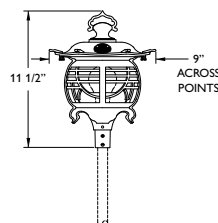
**WIRING** – Incandescent fixtures are pre-wired with high temperature #18 wire.

ETL, cETL Listed.

### Optional Stems

Catalog No.	Finish	Description
S12	(Specify)*	Stem-12", 1/2" NPS
S24	(Specify)*	Stem-24", 1/2" NPS
S36	(Specify)*	Stem-36", 1/2" NPS

\*Specify Finishes: G-Verde, A-Black



## VPS2 ALUMINUM

**VPS2-A** Black (*matte*)      **VPS2-G** Verde (*matte*)

- 120 Volt
- 60 watt maximum
- A19 Lamp
- 1/2" NPS fitter
- Stem not included, order separately

**HOUSING** – Cast aluminum oriental finial and roof attached to decorative arm. Oriental cage with bottom.

**FINISH** – Black thermoset, hand-rubbed verde antiqued over black thermoset powdercoat.

**LENS** – White Acrylic Tubing.

**SOCKET** – Inverted porcelain medium base.

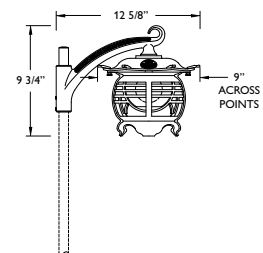
**WIRING** – Incandescent fixtures are pre-wired with high temperature #18 wire.

ETL, cETL Listed.

### Optional Stems

Catalog No.	Finish	Description
S12	(Specify)*	Stem-12", 1/2" NPS
S24	(Specify)*	Stem-24", 1/2" NPS
S36	(Specify)*	Stem-36", 1/2" NPS

\*Specify Finishes: G-Verde, A-Black



# PATHLYTES



## R3 ALUMINUM

### R3-G Verde

- 120 Volt
- 100 watt maximum
- A19 Lamp
- 1/2" NPS fitter

**HOUSING** – Die-cast aluminum construction. Stem included.

**FINISH** – Hand-rubbed verde antiqued over black thermoset powdercoat.

**LENS** – Painted, molded glass with clear top.

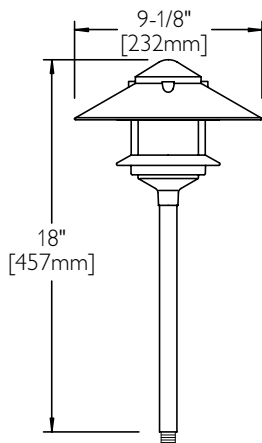
**SOCKET** – Medium base.

**WIRING** – Incandescent fixtures are pre-wired with high temperature #18 wire.

ETL, cETL Listed.

Recommended Spacing - R3 - 10'  
Horizontal footcandles

Volt/Lamp	1'	2'	3'	4'	5'	6'	7'	8'	9'
120V, 100W A19	19.5	5.4	1.8	.6	.25	.08	-	-	-



## P3 ALUMINUM

### P3-G Verde

- 120 Volt
- 75 watt maximum
- A19 Lamp
- 1/2" NPS fitter

**HOUSING** – Die-cast aluminum construction. Stem included.

**FINISH** – Hand-rubbed verde antiqued over black thermoset powdercoat.

**LENS** – Painted, molded glass with clear top.

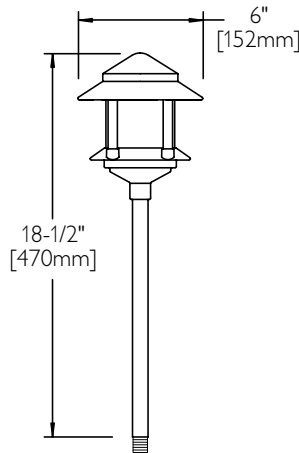
**SOCKET** – Medium base.

**WIRING** – Incandescent fixtures are pre-wired with high temperature #18 wire.

ETL, cETL Listed.

Recommended Spacing - P3 - 9'  
Horizontal footcandles

Volt/Lamp	1'	2'	3'	4'	5'	6'	7'	8'	9'
120V, 75W A19	15.0	4.0	1.0	.4	.1	.05	-	-	-



## P39 ALUMINUM

### P39-K Garden Green

- 120 Volt
- 75 watt maximum
- A19 Lamp
- 1/2" NPS fitter
- Stem not included, order separately

**HOUSING** – Die-cast aluminum construction. Removable roof for easy relamping.

**FINISH** – Garden green thermoset powdercoat.

**LENS** – Clear molded glass.

**SOCKET** – Medium base.

**WIRING** – Incandescent fixtures are pre-wired with high temperature #18 wire.

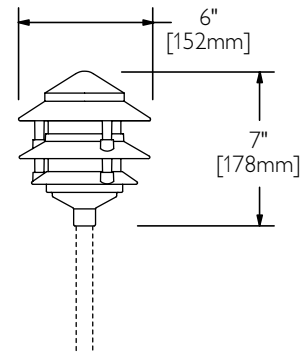
ETL, cETL Listed.

#### Optional Stems

Catalog No.	Finish	Description
S12-K	Garden Green	Stem-12", 1/2" NPS
S24-K	Garden Green	Stem-24", 1/2" NPS
S36-K	Garden Green	Stem-36", 1/2" NPS

Recommended Spacing - P39 - 14'  
Horizontal footcandles

Volt/Lamp	1'	2'	3'	4'	5'	6'	7'	8'	9'
120V, 75W A19	8.5	4.0	2.2	.9	.5	.3	.2	.1	-





## Q39 ALUMINUM

### Q39-K Garden Green

- 120 Volt
- 100 watt maximum
- A19 Lamp
- 1/2" NPS fitter
- Stem not included, order separately

**HOUSING** – Die-cast aluminum construction. Removable roof for easy relamping.

**FINISH** – Garden green thermoset powdercoat.

**LENS** – Clear molded glass.

**SOCKET** – Medium base.

**WIRING** – Pre-wired with high temperature #18 wire.

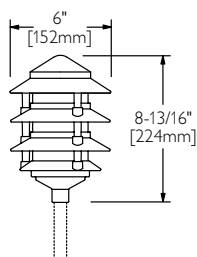
ETL, cETL Listed.

#### Optional Stems

Catalog No.	Finish	Description
S12-K	Garden Green	Stem-12", 1/2" NPS
S24-K	Garden Green	Stem-24", 1/2" NPS
S36-K	Garden Green	Stem-36", 1/2" NPS

#### Recommended Spacing - Q39 - 14' Horizontal footcandles

Volt/Lamp	1'	2'	3'	4'	5'	6'	7'	8'	9'
120V, 75W A19	9.2	8.2	2.4	1.0	.6	.4	.2	.1	-



## R39 ALUMINUM

### R39-K Garden Green

- 120 Volt
- 100 watt maximum
- A19 Lamp
- 1/2" NPS fitter
- Stem not included, order separately

**HOUSING** – Die-cast aluminum construction. Removable roof for easy relamping.

**FINISH** – Garden green thermoset powdercoat.

**LENS** – Clear molded glass.

**SOCKET** – Medium base.

**WIRING** – Pre-wired with high temperature #18 wire.

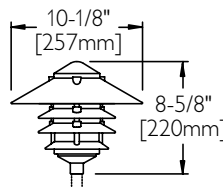
ETL, cETL Listed.

#### Optional Stems

Catalog No.	Finish	Description
S12-K	Garden Green	Stem-12", 1/2" NPS
S24-K	Garden Green	Stem-24", 1/2" NPS
S36-K	Garden Green	Stem-36", 1/2" NPS

#### Recommended Spacing - R39 - 12' Horizontal footcandles

Volt/Lamp	1'	2'	3'	4'	5'	6'	7'	8'	9'
120V, 100W A19	11.0	8.4	2.2	1.0	.6	.3	.1	-	-



## QF59 ALUMINUM

### QF59-K Garden Green

- 120 Volt
- 13 watt maximum
- PL13 Lamp
- 1/2" NPS fitter
- Stem not included, order separately

**HOUSING** – Die-cast aluminum construction. Removable roof for easy relamping.

**FINISH** – Garden green thermoset powdercoat.

**LENS** – Clear molded glass.

**SOCKET** – GX23-2 base.

**BALLAST** – Core and coil, NPF Class B, rated for 0°C operating temperature.

**WIRING** – Pre-wired with high temperature #18 wire.

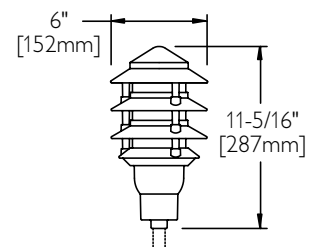
ETL, cETL Listed.

#### Optional Stems

Catalog No.	Finish	Description
S12-K	Garden Green	Stem-12", 1/2" NPS
S24-K	Garden Green	Stem-24", 1/2" NPS
S36-K	Garden Green	Stem-36", 1/2" NPS

#### Recommended Spacing - QF59 - 12' Horizontal footcandles

Volt/Lamp	1'	2'	3'	4'	5'	6'	7'	8'	9'
120V, 13W PL13	4.4	4.0	2.0	.8	.4	.2	.1	-	-



# PATHLYTES



## R30 ALUMINUM

### R30-A Black

- 120 Volt
- 100 watt maximum
- A19 Lamp

**HOUSING** – Die-cast aluminum construction. Extruded aluminum direct burial pole, 48" overall length.

**FINISH** – Black thermoset powdercoat.

**LENS** – Clear molded glass.

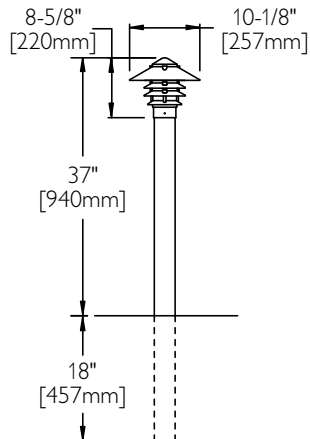
**SOCKET** – Medium base.

**WIRING** – Pre-wired with high temperature #18 wire.

ETL, cETL Listed.

Recommended Spacing - R30 - 14'  
Horizontal footcandles

Volt/Lamp	1'	2'	3'	4'	5'	6'	7'	8'	9'
120V, 100W A19	9.2	8.2	2.4	1.0	.6	.4	.2	.1	-



## HBC1 ALUMINUM

### HBC1-A Black (matte) HBC1-G Verde (matte)

- 120 Volt
- 40 watt maximum
- A19 Lamp
- 1/2" NPS fitter

**HOUSING** – Cast aluminum decorative roof and bottom ring.

**FINISH** – Black or bronze thermoset powdercoat.

**LENS** – Opal polycarbonate cylinder.

**SOCKET** – Porcelain medium base.

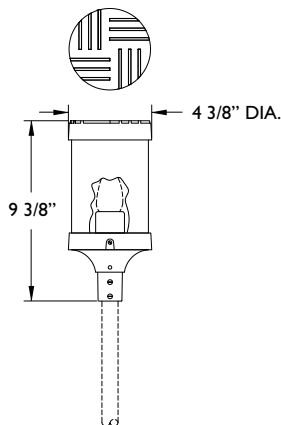
**WIRING** – Incandescent fixtures are pre-wired with high temperature #18 wire.

ETL, cETL Listed.

### Optional Stems

Catalog No.	Finish	Description
S12	(Specify)*	Stem-12", 1/2" NPS
S24	(Specify)*	Stem-24", 1/2" NPS
S36	(Specify)*	Stem-36", 1/2" NPS

\*Specify Finishes: A-Black (shown), H-Bronze



## IVP3 ALUMINUM

### IWP3-A Black (matte) IWP3-H Bronze (matte)

- 120 Volt
- 40 watt maximum
- A19 Lamp
- 1/2" NPS fitter

**HOUSING** – Cast aluminum square roof, extruded aluminum cage legs and square cage bottom.

**FINISH** – Black or bronze thermoset powdercoat.

**LENS** – Opalescent honey glass panels.

**SOCKET** – Porcelain medium base.

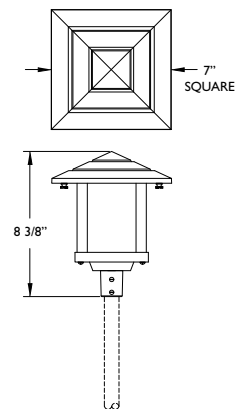
**WIRING** – Incandescent fixtures are pre-wired with high temperature #18 wire.

ETL, cETL Listed.

### Optional Stems

Catalog No.	Finish	Description
S12	(Specify)*	Stem-12", 1/2" NPS
S24	(Specify)*	Stem-24", 1/2" NPS
S36	(Specify)*	Stem-36", 1/2" NPS

\*Specify Finishes: A-Black (shown), H-Bronze





## IW P4 ALUMINUM

**IW P4-A** Black (*matte*)    **IW P4-H** Bronze (*matte*)

- 120 Volt
- A19 Lamp
- Stem not included, order separately
- 60 watt maximum
- 1/2" NPS fitter

**HOUSING** – Cast aluminum square roof, extruded aluminum cage legs and square cage bottom.

**FINISH** – Black or bronze thermoset powdercoat.

**LENS** – Opalescent honey glass panels.

**SOCKET** – Porcelain medium base.

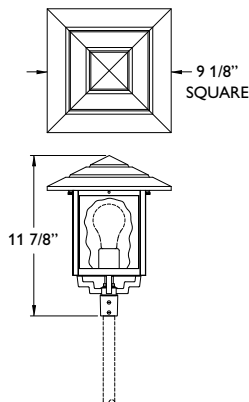
**WIRING** – Incandescent fixtures are pre-wired with high temperature #18 wire.

ETL, cETL Listed.

### Optional Stems

Catalog No.	Finish	Description
S12	(Specify)*	Stem-12", 1/2" NPS
S24	(Specify)*	Stem-24", 1/2" NPS
S36	(Specify)*	Stem-36", 1/2" NPS

\*Specify Finishes: A-Black (shown), H-Bronze



## IW PC4 ALUMINUM

**IW PC4-A** Black (*matte*)    **IW PC4-H** Bronze (*matte*)

- 120 Volt
- A19 Lamp
- Stem not included, order separately
- 60 watt maximum
- 1/2" NPS fitter

**HOUSING** – Die-cast aluminum construction. Removable roof for easy relamping.

**FINISH** – Black or bronze thermoset powdercoat.

**LENS** – Opalescent honey glass panels.

**SOCKET** – Porcelain medium base.

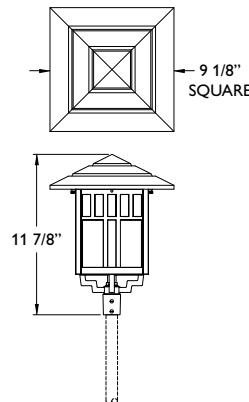
**WIRING** – Incandescent fixtures are pre-wired with high temperature #18 wire.

ETL, cETL Listed.

### Optional Stems

Catalog No.	Finish	Description
S12	(Specify)*	Stem-12", 1/2" NPS
S24	(Specify)*	Stem-24", 1/2" NPS
S36	(Specify)*	Stem-36", 1/2" NPS

\*Specify Finishes: A-Black (shown), H-Bronze



## IW BB3 ALUMINUM

**IW BB3-A** Black (*matte*)    **IW BB3-H** Bronze (*matte*)

- 120 Volt
- A19 Lamp
- 40 watt maximum

**UPPER HOUSING** – Cast aluminum square roof and bottom cage frame with extruded aluminum cage legs with panel slots.

**LOWER HOUSING** – 4" sq. Extruded aluminum post (1/8" wall).

**FINISH** – Black or bronze thermoset powdercoat.

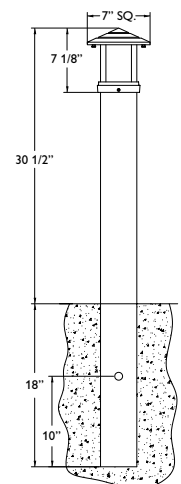
**LENS** – Opalescent honey glass panels.

**SOCKET** – Porcelain medium base.

**MOUNTING** – Direct burial post.

**WIRING** – Incandescent fixtures are pre-wired with high temperature #18 wire.

ETL, cETL Listed.



# BOLLARDS



## HBB1 ALUMINUM

**HBB1-A** Black (*matte*)    **HBB1-H** Bronze (*matte*)

- 120 Volt
- 40 watt maximum
- A19 lamp

**UPPER HOUSING** – Decorative cast aluminum top cap and ring.

**LOWER HOUSING** – 4" dia. Extruded aluminum post (1/8" wall).

**FINISH** – Black or bronze thermoset powdercoat.

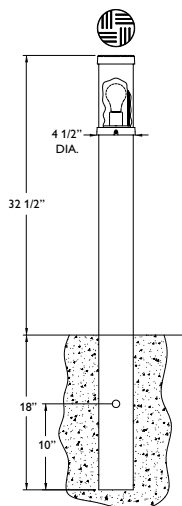
**LENS** – Opal polycarbonate cylinder.

**SOCKET** – Porcelain medium base.

**MOUNTING** – Direct burial post.

**WIRING** – Incandescent fixtures are pre-wired with high temperature #18 wire.

ETL, cETL Listed.



## SBB1 ALUMINUM

**SBB1-A** Black (*matte*)    **SBB1-H** Bronze (*matte*)

- 120 Volt
- 40 watt maximum
- A19 lamp

**UPPER HOUSING** – Cast aluminum square roof and bottom cage frame with extruded aluminum cage legs with panel slots.

**LOWER HOUSING** – 4" sq. Extruded aluminum post (1/8" wall).

**FINISH** – Black or bronze thermoset powdercoat.

**LENS** – Opal polycarbonate panels.

**SOCKET** – Porcelain medium base.

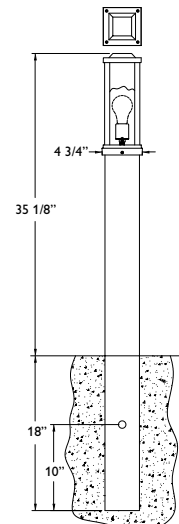
**MOUNTING** – Direct burial post.

**WIRING** – Incandescent fixtures are pre-wired with high temperature #18 wire.

ETL, cETL Listed.

Optional Louver

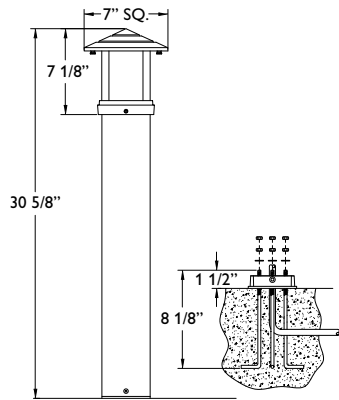
Catalog No.	Finish	Description
LSB1	(Specify) *	Louver



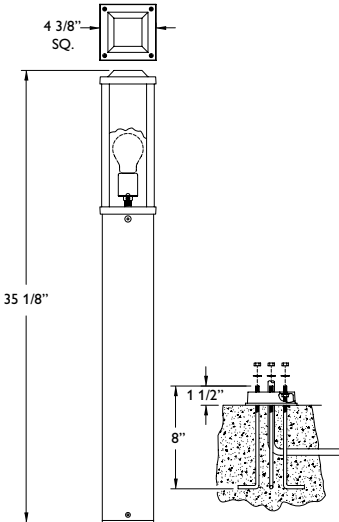
# BOLLARDS



**IWB3**



**SB1**



**IWB3 ALUMINUM**

IWB3-A Black (matte)    IWB3-H Bronze (matte)

- 120 Volt
- 40 watt maximum
- A19 lamp

**UPPER HOUSING** – Cast aluminum square roof and bottom cage frame with extruded aluminum cage legs with panel slots.

**LOWER HOUSING** – 4" sq. Extruded aluminum post (1/8" wall).

**FINISH** – Black or bronze thermoset powdercoat.

**LENS** – Opalescent honey glass panels (IWB3) and Opal polycarbonate panels (SB1).

**SOCKET** – Porcelain medium base.

**MOUNTING** – Lower casting is secured to anchor foundation by three (3) galvanized steel bolts and nuts. Before installing anchor bolts, contact factory for latest mounting template.

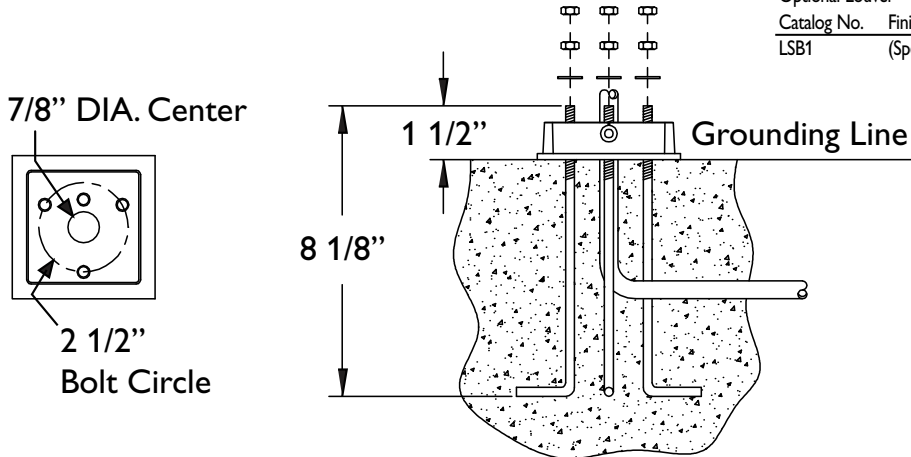
**WIRING** – Incandescent fixtures are pre-wired with high temperature #18 wire.

ETL, cETL Listed.

**SB1 ALUMINUM**

SB1-A Black (matte)    SB1-H Bronze (matte)

**MOUNTING GUIDE**



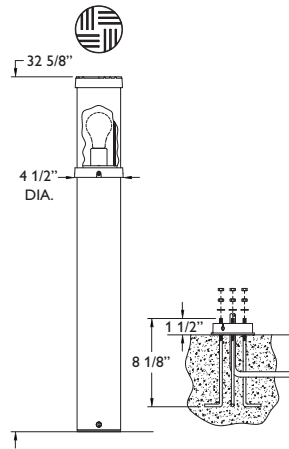
Optional Louver		
Catalog No.	Finish	Description
LSB1	(Specify) *	Louver



# BOLLARDS



## HB1



### HB1 ALUMINUM

**HB1-A** Black (*matte*)     **HB1-H** Bronze (*matte*)

- 120 Volt
- 40 watt maximum
- A19 lamp

**UPPER HOUSING** – Decorative cast aluminum top cap and ring.

**LOWER HOUSING** – 4" dia. Extruded aluminum post (1/8" wall).

**FINISH** – Black or bronze thermoset powdercoat.

**LENS** – Opal polycarbonate cylinder.

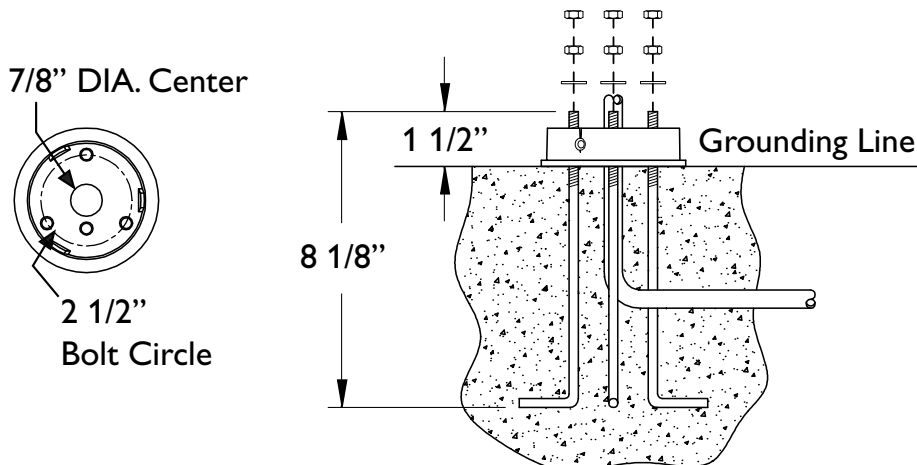
**SOCKET** – Porcelain medium base.

**MOUNTING** – Lower casting is secured to anchor foundation by three (3) galvanized steel bolts and nuts. Before installing anchor bolts, contact factory for latest mounting template.

**WIRING** – Incandescent fixtures are pre-wired with high temperature #18 wire.

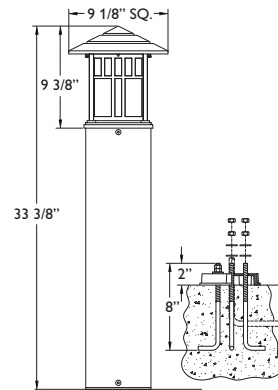
ETL, cETL Listed.

### MOUNTING GUIDE





## IWBC4



### IWBC4 ALUMINUM

IWBC4-A Black (*matte*) IWBC4-H Bronze (*matte*)

- 120 Volt
- 60 watt maximum
- A19 lamp

**UPPER HOUSING** – Cast aluminum square roof and bottom cage frame.

**LOWER HOUSING** – 6" sq. Extruded aluminum post (1/8" wall).

**FINISH** – Black or bronze thermoset powdercoat.

**LENS** – Opalescent honey glass panels.

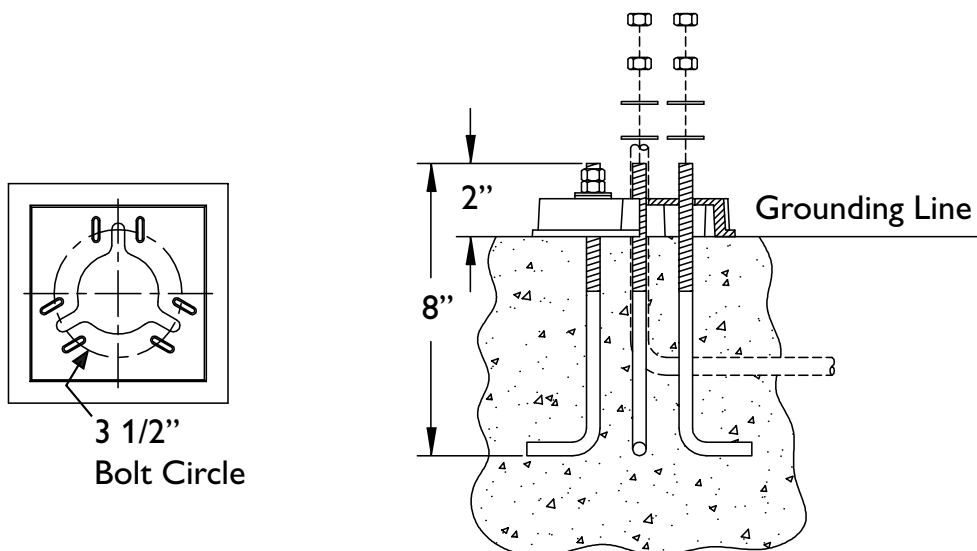
**SOCKET** – Porcelain medium base.

**MOUNTING** – Lower casting is secured to anchor foundation by three (3) galvanized steel bolts and nuts. Before installing anchor bolts, contact factory for latest mounting template.

**WIRING** – Incandescent fixtures are pre-wired with high temperature #18 wire.

ETL, cETL Listed.

### MOUNTING GUIDE



# BOLLARDS



**CL81** ALUMINUM



**CL82** ALUMINUM



**CL83** ALUMINUM

**UPPER HOUSING** – Die-cast aluminum. Head assembly is mounted directly to lower housing with stainless steel screws. Available in three styles: cone, dome, or hexagonal style.

**LOWER HOUSING** – Constructed of 8" diameter extruded aluminum (1/8" walls).

**OPTICS** – Die-cast aluminum louvers with tempered ribbed glass. 180° house side shield is supplied with each fixture (optional use).

**GASKET** – Molded silicone gasket seals glass and prevents moisture intrusion into the fixture.

**FINISH** – Highly weather-resistant CraftStone™ finish bonded to the aluminum substrate, or durable thermoset polyester powdercoat applied after a five-stage conversion cleaning process. Note: louvers on CraftStone™ finishes are powdercoated white. Additional finishes, consult factory.

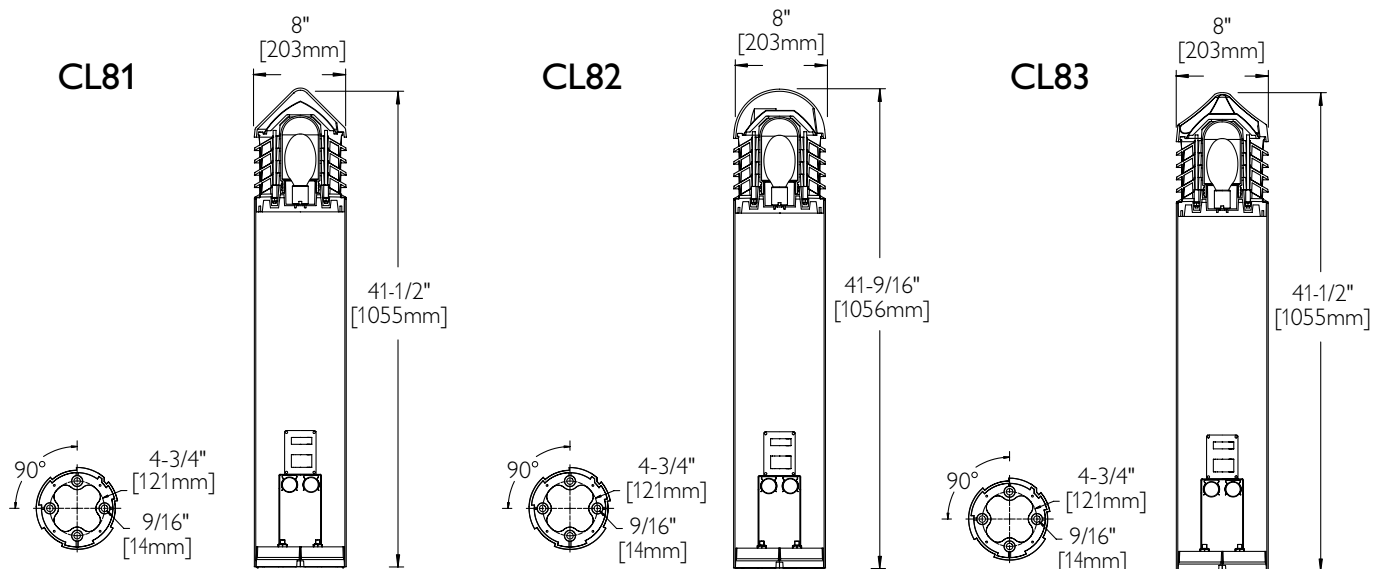
**SOCKET** – Incandescent and HID: medium base. Fluorescent: GX24q-4 base.

**ELECTRICAL** – Standard quad-volt core and coil mounted on removable ballast bracket, with quick connect harness, high power factor, dipped in moisture-resistant epoxy coating. Fluorescent uses electronic ballasts.

**MOUNTING** – Internal cast aluminum plate is secured to anchor foundation by four (4) 3/8"-16 galvanized steel bolts and nuts. Before installing anchor bolts, contact factory for latest mounting template. A twist-lock action mates mounting casting with lower bollard casting, which is welded to the bottom of the bollard extrusion. One (1) set screw is used to lock the casting in place.

**VOLTAGE CAUTION** – Some local interpretation of the NEC Section 210-6 only permit the use of 120 volt fixtures when they are mounted below 8'. Check with local authorities before specifying alternate voltages.

ETL, cETL Listed.

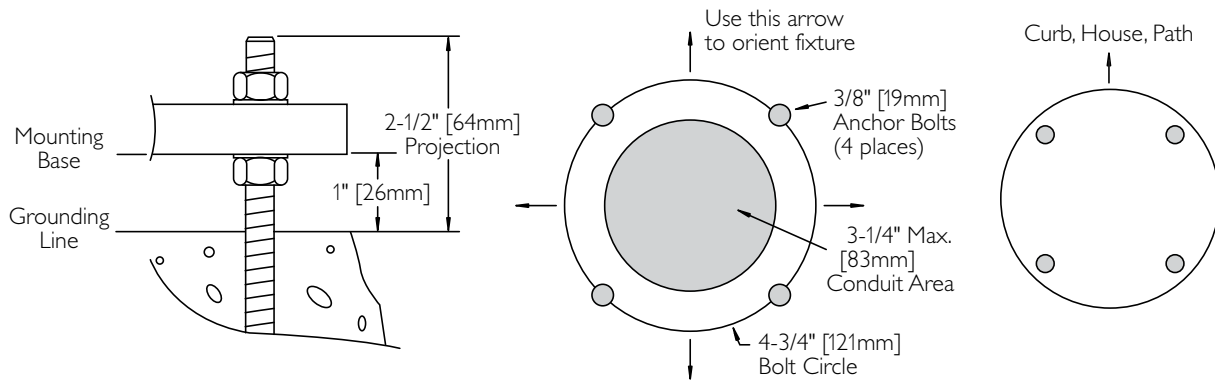


# BOLLARDS

## PHOTOMETRIC INFORMATION

ISOFOOTCANDLES	WATTAGE LAMP LUMENS	Bronze Louvers Optics							White Louver Optics						
		100 Incan.	28 Fluor.	42 Fluor.	70 MH	100 MH	70 HPS	100 HPS	100 Incan.	28 Fluor.	42 Fluor.	70 MH	100 MH	70 HPS	100 HPS
		1750	1600	3200	5500	9000	6400	9500	1750	1600	3200	5500	9000	6400	9500
4'		0.9	0.8	1.6	2.7	4.4	3.1	4.6	0.9	0.9	1.7	2.9	4.8	3.4	5.1
6'		0.8	0.7	1.5	2.6	4.2	3.0	4.4	0.9	0.8	1.6	2.8	4.5	3.2	4.8
8'		0.8	0.7	1.4	2.4	4.0	2.8	4.2	0.8	0.7	1.5	2.6	4.2	3.0	4.4
10'		0.4	0.4	0.8	1.3	2.2	1.6	2.3	0.8	0.7	1.4	2.4	4.0	2.8	4.2
12'		0.2	0.1	0.3	0.5	0.8	0.6	0.8	0.4	0.4	0.8	1.4	2.3	1.6	2.4
14'		0.1	0.1	0.1	0.2	0.3	0.2	0.3	0.3	0.2	0.5	0.9	1.4	1.0	1.5
16'		0.0	0.2	0.1	0.1	0.2	0.1	0.2	0.1	0.1	0.2	0.4	0.7	0.5	0.7

## MOUNTING GUIDE



## ORDERING GUIDE

Catalog Number	Tops (1) Cone (2) Dome (3) Hex	Finish (A) Black (B) White (H) Bronze (L) Limestone (S) Sandstone	Lens and Distribution (AO) Clear, Symmetric	Wattage	Voltage (E) 120 (F) 208 (G) 240 (H) 277 (K) 347	Description	Lamp/Socket
CL8	(Specify)	(Specify)	AO	100I	(E Only)	100w INC	A19/Medium
CL8	(Specify)	(Specify)	AO	42F*	(E,F,G,H)	42w CFL	GX24q-4
CL8	(Specify)	(Specify)	AO	70S	(Specify)	70w HPS	E17/Medium
CL8	(Specify)	(Specify)	AO	100S	(Specify)	100w HPS	E17/Medium
CL8	(Specify)	(Specify)	AO	50H	(Specify)	50w MH	E17/Medium
CL8	(Specify)	(Specify)	AO	70H	(Specify)	70w MH	E17/Medium
CL8	(Specify)	(Specify)	AO	100H	(Specify)	100w MH	E17/Medium

\*Accepts 26,32 and 42w PLT lamps.

# BOLLARDS



**DB14** ALUMINUM



**DB21** ALUMINUM



**DB30** ALUMINUM

**UPPER HOUSING/LOUVERS** – Die-cast aluminum. Head assembly is mounted to lower housing with three (3) stainless steel screws.

**LOWER HOUSING** – Constructed of 5" extruded aluminum (1/8" wall).

**LENS** – Clear molded glass, threaded against silicone gasket for tight seal.

**GASKET** – Flat silicone gasket.

**FINISH** – Highly weather-resistant CraftStone™ finish bonded to the aluminum substrate, or durable thermoset polyester powdercoat applied after a five-stage conversion cleaning process. Note: louvers on CraftStone™ finishes are powdercoated white. Additional finishes, consult factory.

**SOCKET** – Incandescent and HID: medium base. Fluorescent: GX24q-3 or GX24q-4 base.

**REFLECTOR** – Highly reflective white paint on spun aluminum rings, mounted on the underside of louvers.

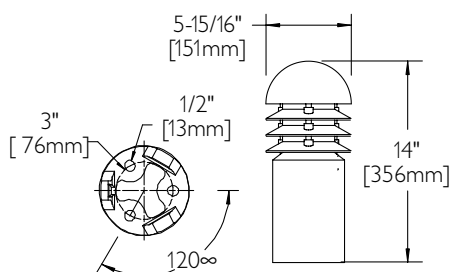
**ELECTRICAL** – Standard quad-volt core and coil mounted on removable ballast bracket, with quick connect harness, high power factor, dipped in moisture-resistant epoxy coating. Fluorescent uses electronic ballasts.

**MOUNTING** – Lower casting is secured to anchor foundation by three (3) galvanized steel bolts and nuts. Before installing anchor bolts, contact factory for latest mounting template.

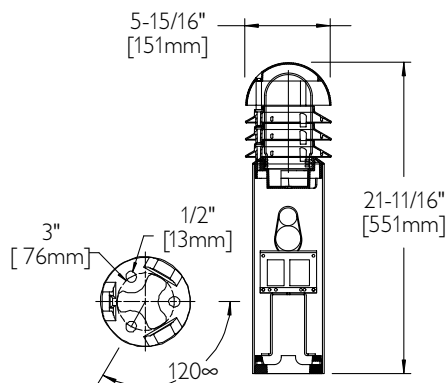
**VOLTAGE CAUTION** – Some local interpretation of the NEC Section 210-6 only permits the use of 120 volt fixtures when they are mounted below 8'. Check with local authorities before specifying alternate voltages.

ETL, cETL Listed.

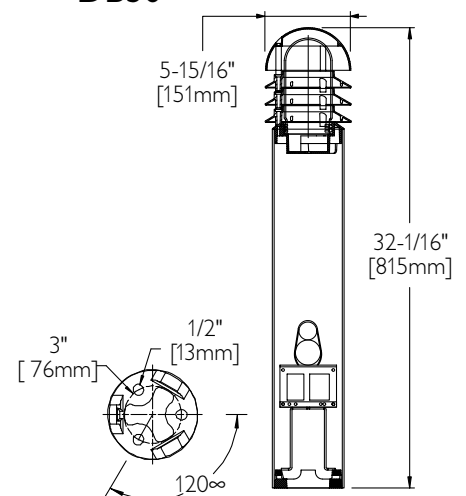
**DB14**



**DB21**

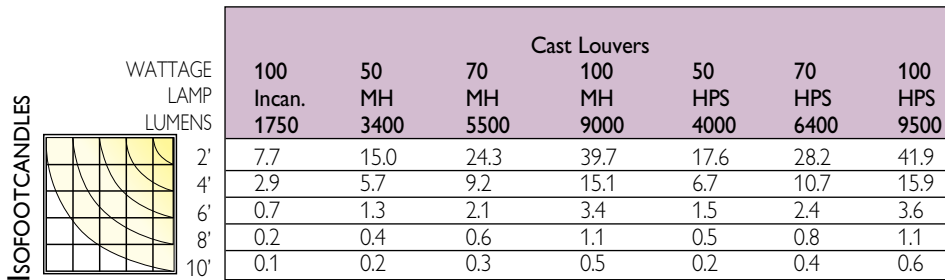


**DB30**

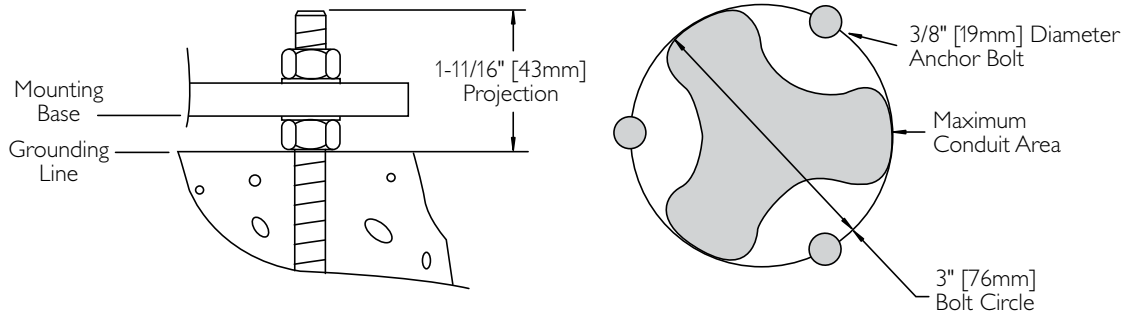


# BOLLARDS

## PHOTOMETRIC INFORMATION



## MOUNTING TEMPLATE



## PRODUCT SELECTION GUIDE (INCANDESCENT)

Catalog Number	Description	Finish	Max Wattage	Lamp	Socket
DB14-H	14" Mini Bollard, Incandescent	Bronze	100w	A19	Medium Base
DB21-H	21" Mini Bollard, Incandescent	Bronze	100w	A19	Medium Base
DB30-H	30" Bollard, Incandescent	Bronze	100w	A19	Medium Base

## ORDERING GUIDE

Catalog Number	Finish (A) Black (H) Bronze (L) Limestone (S) Sandstone	Lens and Distribution (AO) Clear, Symmetric	Wattage	Voltage (E) 120 (F) 208 (G) 240 (H) 277 (K) 347	Description	Lamp/Socket
DB21	(Specify)	AO	100l	(E Only)	100w INC	A19/Medium
DB21	(Specify)	AO	42F*	(E,F,G,H)	42w CFL	GX24q-4
DB21	(Specify)	AO	50H	(Specify)	50w MH	E17/Medium
DB21	(Specify)	AO	70H	(Specify)	70w MH	E17/Medium
DB21	(Specify)	AO	100H	(Specify)	100w MH	E17/Medium
DB21	(Specify)	AO	50S	(Specify)	50w HPS	E17/Medium
DB21	(Specify)	AO	70S	(Specify)	70w HPS	E17/Medium
DB21	(Specify)	AO	100S	(Specify)	100w HPS	E17/Medium
DB30	(Specify)	AO	100l	(E Only)	100w INC	A19/Medium
DB30	(Specify)	AO	42F	(E,F,G,H)	42w CFL	GX24q-4
DB30	(Specify)	AO	50H	(Specify)	50w MH	E17/Medium
DB30	(Specify)	AO	70H	(Specify)	70w MH	E17/Medium
DB30	(Specify)	AO	100H	(Specify)	100w MH	E17/Medium
DB30	(Specify)	AO	50S	(Specify)	50w HPS	E17/Medium
DB30	(Specify)	AO	70S	(Specify)	70w HPS	E17/Medium
DB30	(Specify)	AO	100S	(Specify)	100w HPS	E17/Medium

\*Accepts 26, 32 and 42w PLT lamps.

# BOLLARDS



## RB30 ALUMINUM

**UPPER HOUSING/LOUVERS** – Die-cast aluminum. Head assembly is mounted to lower housing with three (3) stainless steel screws.

**LOWER HOUSING** – Constructed of 5" extruded aluminum (1/8" wall).

**LENS** – Clear molded glass, threaded against silicone gasket for tight seal.

**GASKET** – Flat silicone gasket.

**FINISH** – Highly weather-resistant CraftStone™ finish bonded to the aluminum substrate, or durable thermoset polyester powdercoat applied after a five-stage conversion cleaning process. Note: louvers on CraftStone™ finishes are powdercoated white. Additional finishes, consult factory.

**SOCKET** – Incandescent and HID: medium base. Fluorescent: GX24q-3 or GX24q-4 base.

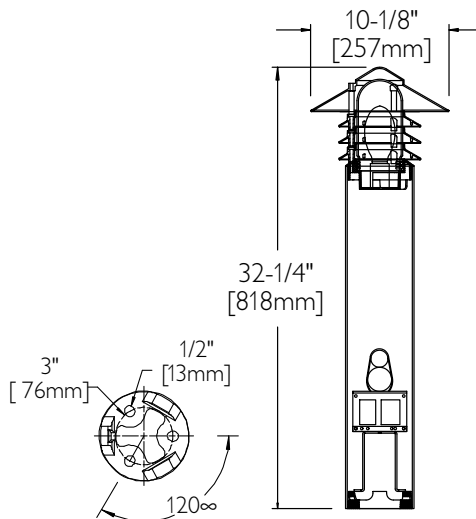
**REFLECTOR** – Highly reflective white paint on spun aluminum rings, mounted on the underside of louvers.

**ELECTRICAL** – Standard quad-volt core and coil mounted on removable ballast bracket, with quick connect harness, high power factor, dipped in moisture-resistant epoxy coating. Fluorescent uses electronic ballasts.

**MOUNTING** – Lower casting is secured to anchor foundation by three (3) galvanized steel bolts and nuts. Before installing anchor bolts, contact factory for latest mounting template.

**VOLTAGE CAUTION** – Some local interpretation of the NEC Section 210-6 only permit the use of 120 volt fixtures when they are mounted below 8'. Check with local authorities before specifying alternate voltages.

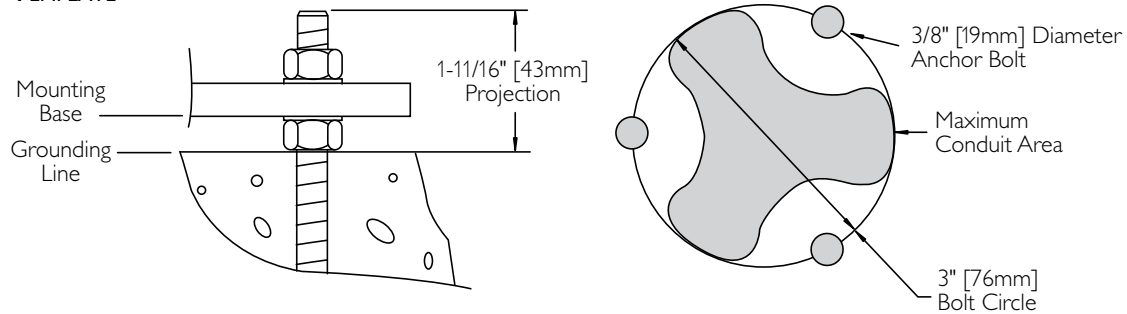
ETL, cETL Listed.



## PHOTOMETRIC INFORMATION

ISOFOOTCANDLES	WATTAGE LAMP LUMENS	Cast Louvers						
		100	50	70	100	50	70	100
		Incan. 1750	MH 3400	MH 5500	MH 9000	HPS 4000	HPS 6400	HPS 9500
2'		7.7	15.0	24.3	39.7	17.6	28.2	41.9
4'		2.9	5.7	9.2	15.1	6.7	10.7	15.9
6'		0.7	1.3	2.1	3.4	1.5	2.4	3.6
8'		0.2	0.4	0.6	1.1	0.5	0.8	1.1
10'		0.1	0.2	0.3	0.5	0.2	0.4	0.6

## MOUNTING TEMPLATE



## ORDERING GUIDE

Catalog Number	Finish (A) Black (H) Bronze (L) Limestone (S) Sandstone	Lens and Distribution (AO) Clear, Symmetric	Wattage	Voltage	Description	Lamp/Socket
				(E) 120 (F) 208 (G) 240 (H) 277 (K) 347		
RB30	(Specify)	AO	100I	(E Only)	100w INC	A19/Medium
RB30	(Specify)	AO	42F*	(E,F,G,H)	42w CFL	GX24q-4
RB30	(Specify)	AO	50H	(Specify)	50w MH	E17/Medium
RB30	(Specify)	AO	70H	(Specify)	70w MH	E17/Medium
RB30	(Specify)	AO	100H	(Specify)	100w MH	E17/Medium
RB30	(Specify)	AO	50S	(Specify)	50w HPS	E17/Medium
RB30	(Specify)	AO	70S	(Specify)	70w HPS	E17/Medium
RB30	(Specify)	AO	100S	(Specify)	100w HPS	E17/Medium

\*Accepts 26,32 and 42w PLT lamps.

# BOLLARDS



**RR70** ALUMINUM



**RB71** ALUMINUM



**RL72** ALUMINUM

**UPPER HOUSING** – Die-cast aluminum. Head assembly is mounted to lower housing with four (4) stainless steel screws which allow easy access for re-lamping.

**LOWER HOUSING** – Constructed of 6" extruded aluminum (1/8" wall).

**OPTICS** – Cylindrical fresnel lens projects even illumination in a 360° pattern (RR70). An integral hood directs low level illumination outward in a 180° arc (RB71). Integral louvers shield the light source, directing light down and outward in a 360° pattern (RL72).

**GASKET** – Molded silicone gasket seals glass and prevents moisture intrusion into the lamp area.

**FINISH** – Highly weather-resistant CraftStone™ finish bonded to the aluminum substrate, or durable thermoset polyester powdercoat applied after a five-stage conversion cleaning process. Note: louvers on CraftStone™ finishes are powdercoated white. Additional finishes, consult factory.

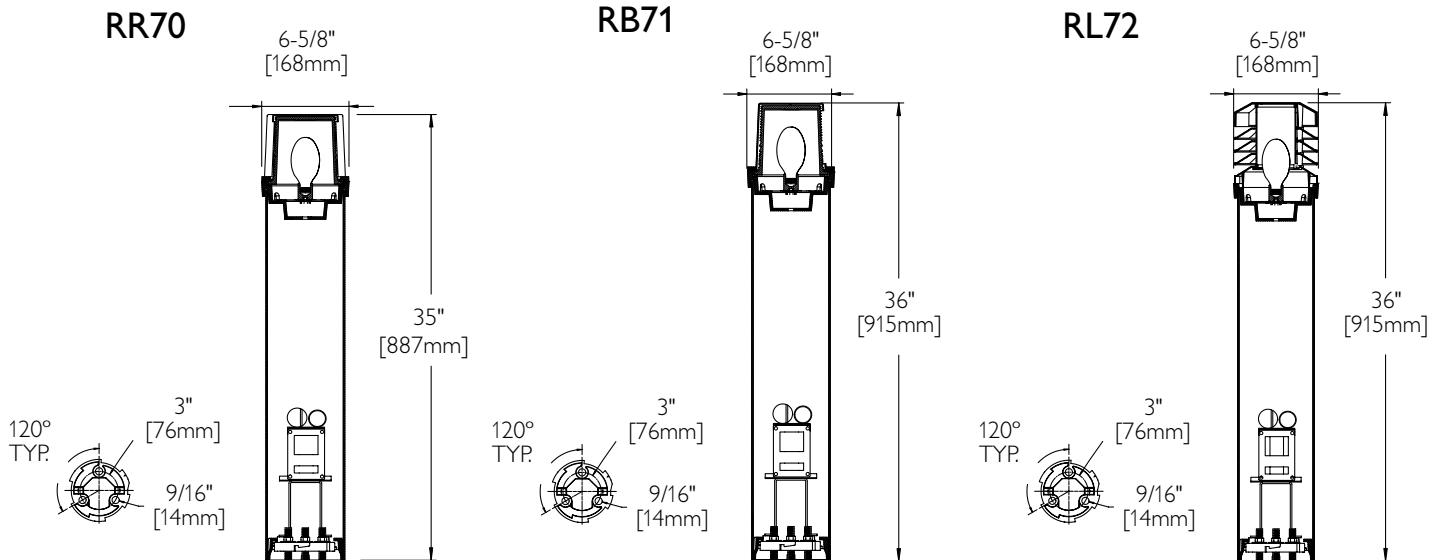
**SOCKET** – Incandescent and HID: medium base. Fluorescent: GX24q-3 or GX24q-4 base.

**ELECTRICAL** – Standard quad-volt core and coil mounted on removable ballast bracket, with quick connect harness, high power factor, dipped in moisture-resistant epoxy coating. Fluorescent uses electronic ballasts.

**MOUNTING** – Lower housing is secured to anchor foundation by three (3) 3/8"-16 galvanized steel bolts and stainless steel nuts. A twist-lock action mates lower casting with upper casting. One (1) set screw is used to lock casting in place. Consult factory for latest mounting template.

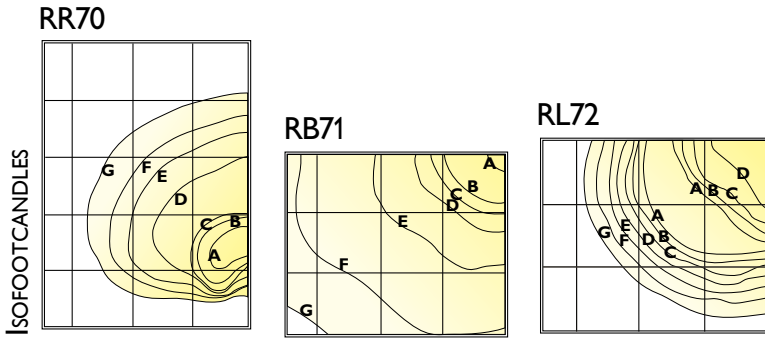
**VOLTAGE CAUTION** – Some local interpretation of the NEC Section 210-6 only permit the use of 120 volt fixtures when they are mounted below 8'. Check with local authorities before specifying alternate voltages.

ETL, cETL Listed.



# BOLLARDS

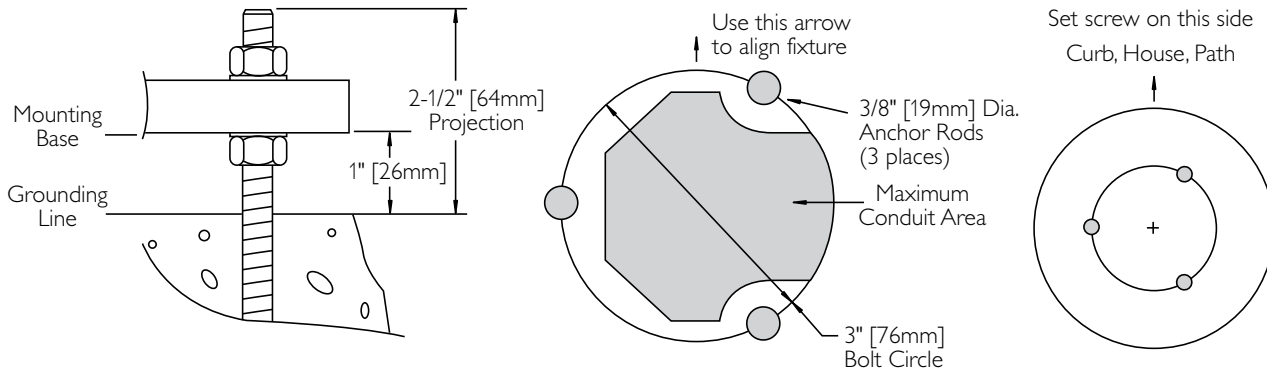
## PHOTOMETRIC INFORMATION



WATTAGE  
LAMP  
LUMENS

	Cast Louvers				
	100 Incan. 1220	42 Fluor. 3200	50 HPS 3300	70 MH 5000	100 MH 8500
A	2.00	5.25	5.41	8.20	13.93
B	1.00	2.62	2.70	4.10	6.97
C	0.75	1.97	2.03	3.07	5.23
D	0.50	1.31	1.35	20.5	3.48
E	0.33	0.87	0.89	1.35	2.30
F	0.25	0.66	0.68	1.02	1.74
G	0.10	0.26	0.27	0.41	0.70

## MOUNTING TEMPLATE



## ORDERING GUIDE

Catalog Number	Finish (A) Black (B) White (G) Verde (H) Bronze (J) Green	Lens and Distribution (AO) Clear, Symmetric	Wattage	Voltage (E) 120 (F) 208 (G) 240 (H) 277 (K) 347	Description	Lamp/Socket
RR70	(Specify)	AO	100I	(E Only)	100w INC	A19/Medium
RR70	(Specify)	AO	42F*	(E,F,G,H)	42w CFL	GX24q-4
RR70	(Specify)	AO	50H	(Specify)	50w MH	E17/Medium
RR70	(Specify)	AO	70H	(Specify)	70w MH	E17/Medium
RR70	(Specify)	AO	100H	(Specify)	100w MH	E17/Medium
RR70	(Specify)	AO	50S	(Specify)	50w HPS	E17/Medium
RR70	(Specify)	AO	70S	(Specify)	70w HPS	E17/Medium
RR70	(Specify)	AO	100S	(Specify)	100w HPS	E17/Medium
RB71	(Specify)	AO	100I	(E Only)	100w INC	A19/Medium
RB71	(Specify)	AO	42F*	(E,F,G,H)	42w CFL	GX24q-4
RB71	(Specify)	AO	50H	(Specify)	50w MH	E17/Medium
RB71	(Specify)	AO	70H	(Specify)	70w MH	E17/Medium
RB71	(Specify)	AO	100H	(Specify)	100w MH	E17/Medium
RB71	(Specify)	AO	50S	(Specify)	50w HPS	E17/Medium
RB71	(Specify)	AO	70S	(Specify)	70w HPS	E17/Medium
RB71	(Specify)	AO	100S	(Specify)	100w HPS	E17/Medium
RL72	(Specify)	AO	100I	(E Only)	100w INC	A19/Medium
RL72	(Specify)	AO	42F*	(E,F,G,H)	42w CFL	GX24q-4
RL72	(Specify)	AO	50H	(Specify)	50w MH	E17/Medium
RL72	(Specify)	AO	70H	(Specify)	70w MH	E17/Medium
RL72	(Specify)	AO	100H	(Specify)	100w MH	E17/Medium
RL72	(Specify)	AO	50S	(Specify)	50w HPS	E17/Medium
RL72	(Specify)	AO	70S	(Specify)	70w HPS	E17/Medium
RL72	(Specify)	AO	100S	(Specify)	100w HPS	E17/Medium

\*Accepts 26, 32 and 42w PLT lamps.

# BEACONS



## DW1 CAST BRONZE

**DW1-N** Natural Cast Bronze

- 120 Volt
- 20 watt maximum
- T3 Halogen lamp (included)
- With integral transformer

**HOUSING** – Constructed of cast bronze. Recessed housing is compression molded composite. Two (2) 1/2" conduit inlets on bottom.

**FINISH** – Natural bronze.

**LENS** – Borosilicate frosted glass lens; fully-gasketed top and bottom.

**SOCKET** – Bi-pin type (G4).

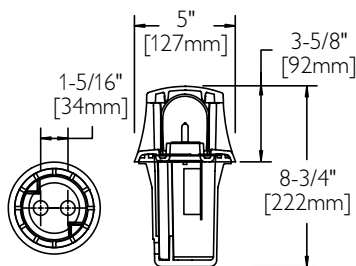
**TRANSFORMER** – Standard 120/12 volt electronic transformer is furnished.

**WIRING** – Incandescent fixtures are pre-wired with high temperature #18 wire.

ETL, cETL Listed.

Recommended Spacing - DW1 - 15'  
Horizontal footcandles

Volt/Lamp	1'	2'	3'	4'	5'	6'	7'	8'	9'
120V, 20W T3	13.35	3.94	1.42	.90	.56	.37	.24	.17	-



## DWC1 COMPOSITE

**DWC1-A** Black

- 120 Volt
- 20 watt maximum
- T3 Halogen lamp (included)
- With integral transformer

**HOUSING** – Injection molded polyester composite resin.

**FINISH** – Color impregnated black.

**LENS** – Borosilicate glass lens; fully-gasketed top and bottom.

**SOCKET** – Bi-pin type (G4).

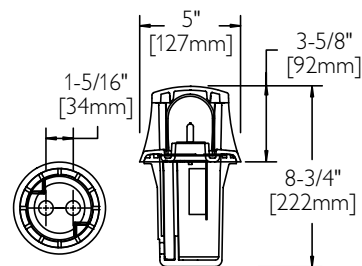
**TRANSFORMER** – Standard 120/12 volt electronic transformer is furnished.

**WIRING** – Incandescent fixtures are pre-wired with high temperature #18 wire.

ETL, cETL Listed.

Recommended Spacing - DWC1 - 15'  
Horizontal footcandles

Volt/Lamp	1'	2'	3'	4'	5'	6'	7'	8'	9'
120V, 20W T3	13.35	3.94	1.42	.90	.56	.37	.24	.17	-





## DWC2 COMPOSITE

### DWC2-A Black

- 120 Volt
- 20 watt maximum
- T3 Halogen lamp (included)
- With integral transformer

**HOUSING** – Injection molded polyester composite resin.

**FINISH** – Color impregnated black.

**LENS** – Ribbed clear acrylic; fully-gasketed.

**SOCKET** – Bi-pin type (G4).

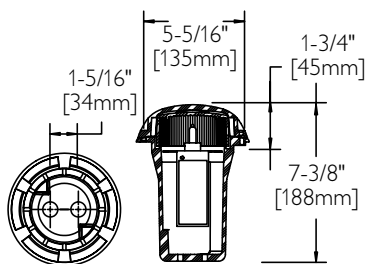
**TRANSFORMER** – Standard 120/12 volt electronic transformer is furnished.

**WIRING** – Incandescent fixtures are pre-wired with high temperature #18 wire.

ETL, cETL Listed.

Recommended Spacing - DWC2 - 16'  
Horizontal footcandles

Volt/Lamp	1'	2'	3'	4'	5'	6'	7'	8'	9'
120V, 20W T3	10.67	2.73	1.17	.65	.36	.22	.07	.02	-



# BEACONS



**1010** ALUMINUM

**1012** COMPOSITE

**1019** CAST BRONZE

**UPPER HOUSING** – Die-cast aluminum, or injection molded polyester composite resin, or natural cast bronze. Stainless steel screws in roof for easy top access for relamping.

**LOWER HOUSING** – Die-cast aluminum, or single piece compression molded reinforced polyester composite housing, or natural cast bronze.

**LENS** – Borosilicate glass refractor lens, fully gasketed top and bottom.

**GASKET** – Molded silicone gasket seals glass, top and bottom, and prevents moisture intrusion into the fixture.

**FINISH** – Durable powdercoat finish electrostatically applied and bonded by heat fusion thermosetting, to die cast aluminum. Composite beacon HID and fluorescent housing are color impregnated bronze. Cast bronze is natural bronze finish.

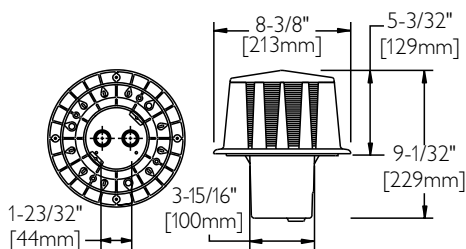
**SOCKET** – Incandescent: medium base. Fluorescent: GX23-2 base. HID: medium base.

**ELECTRICAL** – Fluorescent uses 120V core and coil NPF ballast, rated at 0°C starting temp. Other lamp options and wattages are available. Consult factory for additional fluorescent, or HID options.

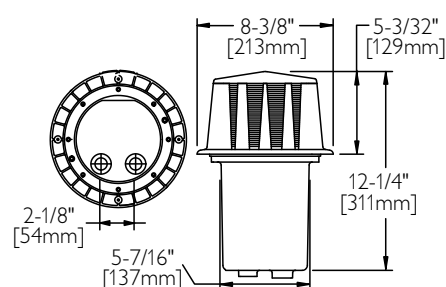
**MOUNTING** – Beacons are partially recessed. Potting compound must be used to seal the conduit wire entry.

ETL, cETL Listed.

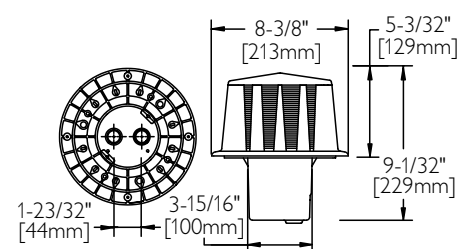
**1010**



**1012**



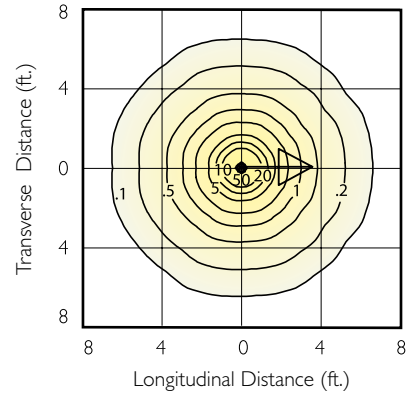
**1019**



## ISO FOOTCANDLE CONVERSIONS

Light Source	Lumens	Footcandle Conversion
A19 (100w)	1710	1
PL13 (13w)	810	0.5

## PHOTOMETRIC INFORMATION



## PRODUCT SELECTION GUIDE

Catalog Number	Description	Finish	Wattage	Lamp	Socket	Voltage
1010-H	Cast Aluminum Beacon, Incandescent.	Bronze	100w	A19	Medium	120V
1010-HF	Cast Aluminum Beacon, Compact Fluorescent.	Bronze	13w	PLC13	GX23-2	120V
1012-H	Composite Beacon, Incandescent.	Bronze	100w	A19	Medium	120V
1012-HF	Composite Beacon, Compact Fluorescent.	Bronze	13w	PLC13	GX23-2	120V
1019-N	Cast Bronze Beacon, Incandescent.	Natural Cast Bronze	100w	A19	Medium	120V
1019-NF	Cast Bronze Beacon, Compact Fluorescent.	Natural Cast Bronze	13w	PLC13	GX23-2	120V

# BEACONS



**CLB81** ALUMINUM



**CLB82** ALUMINUM



**CLB83** ALUMINUM

**UPPER HOUSING** – Die-cast aluminum. Head assembly is mounted directly to lower housing with stainless steel screws. Available in three styles: cone, dome, or hexagonal style.

**LOWER HOUSING** – Durable single piece compression molded reinforced polyester composite. Color impregnated bronze.

**OPTICS** – Die-cast aluminum louvers with tempered ribbed glass lens. 180° house side shield is supplied with each fixture.

**GASKET** – Molded silicone gasket seals glass and prevents moisture intrusion into the fixture.

**FINISH** – Highly weather-resistant CraftStone™ finish bonded to the aluminum substrate, or durable thermoset polyester powdercoat applied after a five-stage conversion cleaning process. Note: louvers on CraftStone™ finishes are powdercoated white. Additional finishes, consult factory.

**SOCKET** – Incandescent and HID: medium base. Fluorescent: GX24q-4 base.

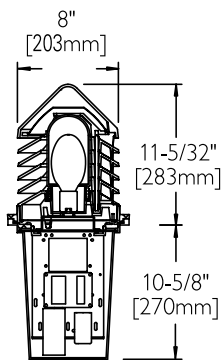
**ELECTRICAL** – Standard quad-volt core and coil mounted on removable ballast bracket, with quick connect harness, high power factor, dipped in moisture-resistant epoxy coating. Fluorescent uses electronic ballasts.

**MOUNTING** – Lower housing may be ground or concrete mounted. Potting compound (provided) must be used for sealing wire entryway from moisture intrusion.

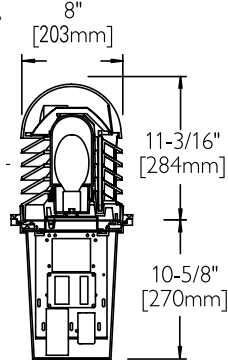
**VOLTAGE CAUTION** – Some local interpretation of the NEC Section 210-6 only permit the use of 120 volt fixtures when they are mounted below 8'. Check with local authorities before specifying alternate voltages.

ETL, cETL Listed.

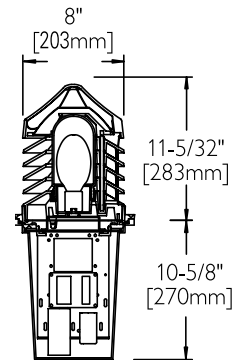
**CLB81**



**CLB82**



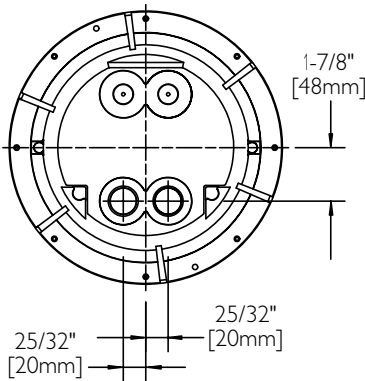
**CLB83**



## PHOTOMETRIC INFORMATION

ISOFOOTCANDLES	WATTAGE LAMP LUMENS	Bronze Louvers Optics							White Louver Optics						
		100 Incan. 1750	28 Fluor. 1600	42 Fluor. 3200	50 MH 3400	70 MH 5000	35 HPS 2250	50 HPS 4000	100 Incan. 1750	28 Fluor. 1600	42 Fluor. 3200	50 MH 3400	70 MH 5000	35 HPS 2250	50 HPS 4000
		1'	1.2	1.1	2.2	2.3	3.4	1.5	2.7	1.2	1.1	2.2	2.3	3.4	1.5
2'	1.0	0.9	1.8	1.9	2.8	1.3	2.2	1.0	0.9	1.9	2.0	2.9	1.3	2.4	
3'	0.5	0.4	0.8	0.9	1.3	0.6	1.1	0.8	0.7	1.4	1.5	2.2	1.0	1.8	
4'	0.2	0.1	0.3	0.3	0.4	0.2	0.4	0.5	0.5	0.9	1.0	1.5	0.7	1.2	
5'	0.02	0.01	0.03	0.03	0.04	0.02	0.04	0.21	0.19	0.38	1.40	0.59	0.26	0.47	
6'	0.02	0.01	0.03	0.03	0.04	0.02	0.04	0.10	0.09	0.19	0.20	0.29	0.13	0.24	
7'	0.01	0.01	0.02	0.02	0.03	0.01	0.02	0.05	0.05	0.09	0.10	0.15	0.07	0.12	

## BOTTOM VIEW



Two (2) 3/4" NPT threaded conduit inlets

## ORDERING GUIDE

Catalog Number	Tops (1) Cone (2) Dome (3) Hex	Finish (A) Black (B) White (H) Bronze (J) Green	Lens and Distribution (AO) Clear, Symmetric	Wattage	Voltage (E) 120 (F) 208 (G) 240 (H) 277 (K) 347	Description	Lamp
CLB8	(Specify)	(Specify)	AO	42F*	(E,F,G,H)	42w CFL	GX24q-4
CLB8	(Specify)	(Specify)	AO	35S	(E Only)	35w HPS	E17
CLB8	(Specify)	(Specify)	AO	50S	(E Only)	50w HPS	E17
CLB8	(Specify)	(Specify)	AO	70S	(Specify)	70w HPS	E17
CLB8	(Specify)	(Specify)	AO	100S	(Specify)	100w HPS	E17
CLB8	(Specify)	(Specify)	AO	50H	(Specify)	50w MH	E17
CLB8	(Specify)	(Specify)	AO	70H	(Specify)	70w MH	E17
CLB8	(Specify)	(Specify)	AO	100H	(Specify)	100w MH	E17

\*Accepts 26, 32 and 42w PLT lamps.

# BEACONS



**RR701** ALUMINUM



**RB711** ALUMINUM



**RL721** ALUMINUM

**UPPER HOUSING** – Die-cast aluminum. Head assembly is mounted to lower housing with stainless steel screws which allow easy access for re-lamping.

**LOWER HOUSING** – Durable single piece compression molded reinforced polyester composite. Color impregnated bronze.

**OPTICS** – Cylindrical fresnel lens projects even illumination in a 360° pattern (RR701). An integral hood directs low level illumination outward in a 180° arc (RB711). Integral louvers shield the light source, directing light down and outward in a 360° pattern (RL721).

**GASKET** – Molded silicone gasket seals glass and prevents moisture intrusion into the fixture.

**FINISH** – Highly weather-resistant CraftStone™ finish bonded to the aluminum substrate, or durable thermoset polyester powdercoat applied after a five-stage conversion cleaning process. Note: louvers on CraftStone™ finishes are powdercoated white. Additional finishes, consult factory.

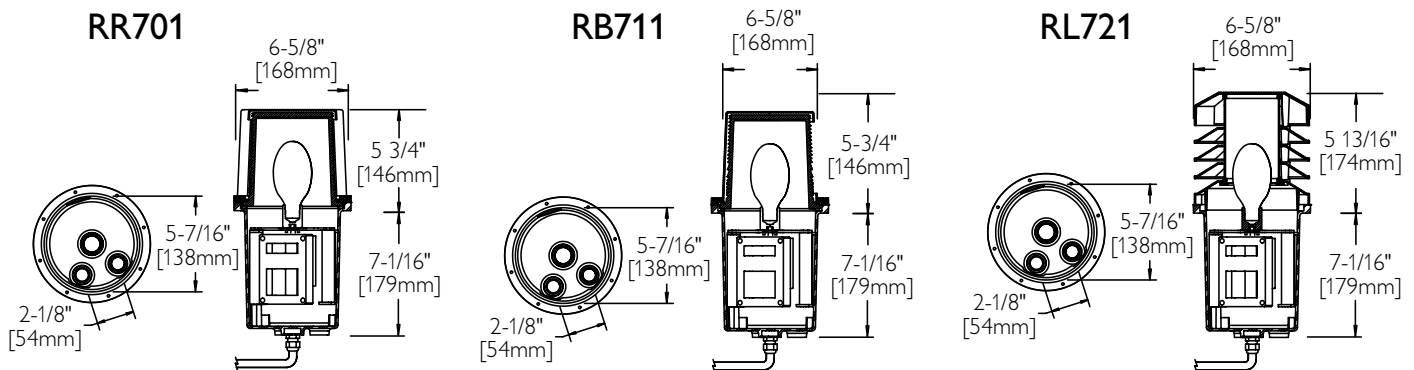
**SOCKET** – Incandescent and HID: medium base. Fluorescent: GX24q-4 base.

**ELECTRICAL** – Standard quad-volt core and coil mounted on removable ballast bracket, with quick connect harness, high power factor, dipped in moisture-resistant epoxy coating. Fluorescent uses electronic ballasts.

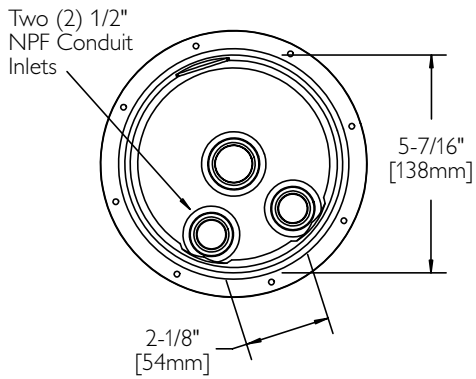
**MOUNTING** – Beacons are partially recessed. Potting compound must be used to seal the wire entry way from moisture intrusion.

**VOLTAGE CAUTION** – Some local interpretation of the NEC Section 210-6 only permit the use of 120 volt fixtures when they are mounted below 8'. Check with local authorities before specifying alternate voltages

ETL, cETL Listed.



## BOTTOM VIEW



## ORDERING GUIDE

Catalog Number	Finish	Lens and Distribution	Wattage	Voltage	Description	Lamp
	(A) Black (B) White (G) Verde (H) Bronze (J) Green			(E) 120 (F) 208 (G) 240 (H) 277		
RR701	(Specify)	AO	75I	(E Only)	75w INC	A19
RR701	(Specify)	AO	42F*	(Specify)	42w CFL	GX24q-4
RR701	(Specify)	AO	35S	(E Only)	35w HPS	E17
RR701	(Specify)	AO	50S	(E Only)	50w HPS	E17
RB711	(Specify)	AO	75I	(E Only)	75w INC	A19
RB711	(Specify)	AO	42F*	(Specify)	42w CFL	GX24q-4
RB711	(Specify)	AO	35S	(E Only)	35w HPS	E17
RB711	(Specify)	AO	50S	(E Only)	50w HPS	E17
RL721	(Specify)	AO	75I	(E Only)	75w INC	A19
RL721	(Specify)	AO	42F*	(Specify)	42w CFL	GX24q-4
RL721	(Specify)	AO	35S	(E Only)	35w HPS	E17
RL721	(Specify)	AO	50S	(E Only)	50w HPS	E17

\*Accepts 26, 32 and 42w PLT lamps.

# Line Voltage Underwater Lighting

Add brilliance to your large-scale fountain or water feature with our line voltage underwater fixtures. Made of nickel bronze, they're practically indestructible – designed to last, not leak.

Be sure to see our underwater applications section for ideas on Philips Hadco underwater installations.





# UNDERWATER



## UW1100/UW1250 CAST BRONZE

**UW1100-N** Natural Cast Bronze

**UW1250-N** Natural Cast Bronze

- 120 Volt
- 250 watt maximum

UW1100 - 100W T4 Lamp (Included)

UW1250 - 250W T4 Lamp (Included)

**HOUSING** – Cast nickel bronze guard, spun stainless steel housing, stainless steel fasteners.

**BASE** – Cast nickel bronze swivel base.

**FINISH** – Natural finish.





**LENS** – Tempered clear convex glass (see below for optional colored lenses).

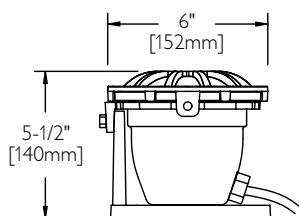
**SOCKET** – Porcelain mini-can base.

**WIRING** – Standard 10 ft. 16-3 STO-WA water resistant cord. Fixture is pre-wired and potted to prevent water entry.

**THERMAL CUTOFF** – Furnished as standard on all fixtures. Enables fixture to be used in accordance with NEC Article 680-51 in installations without an external low-water cutoff.

**NOTE:** Underwater fixtures are not for use in swimming pools or spas due to exposed wiring. ETL, cETL Listed.

catalog no.	description	catalog no.	description
 UWBLU	Blue Lens	 UWGRN	Green Lens
 UWRED	Red Lens	 UWAMB	Amber Lens



## UW2100/UW2250 CAST BRONZE

**UW2100-N** Natural Cast Bronze

**UW2250-N** Natural Cast Bronze

- 120 Volt
- 250 watt maximum

UWL2100 - 100W T4 Lamp (Included)

UWL2250 - 250W T4 Lamp (Included)

**HOUSING** – Cast nickel bronze guard, spun stainless steel housing, stainless steel fasteners.

**NICHE** – Stainless Steel with cast nickel bronze trim.

**FINISH** – Natural finish.





**LENS** – Tempered clear convex glass (see below for optional colored lenses).

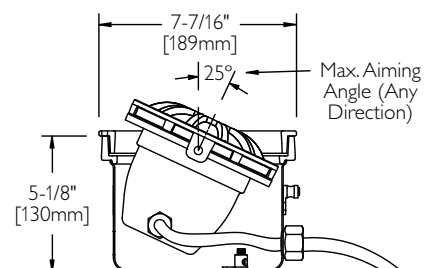
**SOCKET** – Porcelain mini-can base.

**WIRING** – Standard 10 ft. 16-3 STO-WA water resistant cord. Fixture is pre-wired and potted to prevent water entry.

**THERMAL CUTOFF** – Furnished as standard on all fixtures. Enables fixture to be used in accordance with NEC Article 680-51 in installations without an external low-water cutoff.

**NOTE:** Underwater fixtures are not for use in swimming pools or spas due to exposed wiring. ETL, cETL Listed.

catalog no.	description	catalog no.	description
 UWBLU	Blue Lens	 UWGRN	Green Lens
 UWRED	Red Lens	 UWAMB	Amber Lens



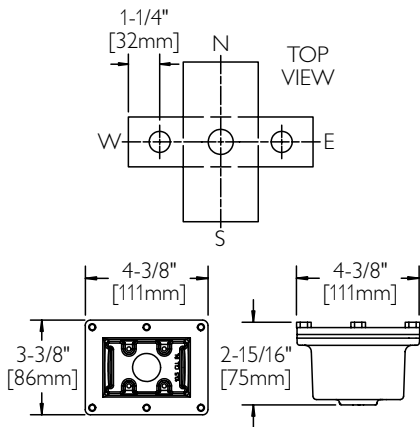
# UNDERWATER ACCESSORIES



## JBH1 JUNCTION BOX

Two (2) lights, 10.5 cubic inches. Single 3/4" NPT bottom. Two (2) 1/2" or 3/4", one (1) each end.

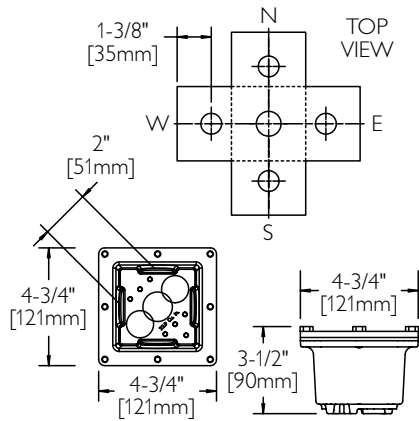
Please specify factory-machined conduit entryways upon ordering.



## JBH2 JUNCTION BOX

Four (4) lights, 21.3 cubic inches. Two (2) 1" max. NPT bottom. Four (4) 1/2" or 3/4", one (1) each end.

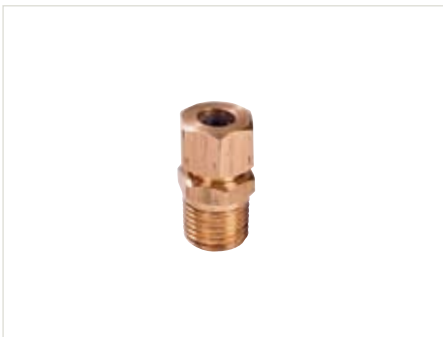
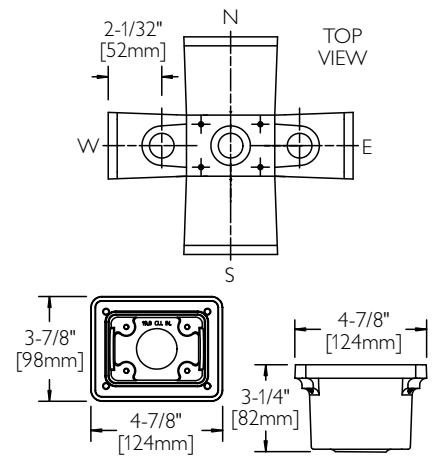
Please specify factory-machined conduit entryways upon ordering.



## SJBH10 JUNCTION BOX

Two (2) lights, 21 cubic inches. Single 3/4" NPT bottom. Two (2) 1/2" or 3/4", one (1) each end.

Please specify factory-machined conduit entryways upon ordering.



## CCH50

Machined Naval Brass Cord Seal-Neoprene packing seal, brass friction ring. 1/2" NPT for use with 16-3 STO-WA entry into junction box.



## CCH50F

Strain Relief, Machined Naval Brass Cord Seal-Neoprene packing seal, brass friction ring. 1/2" NPTx 16-3 cord.



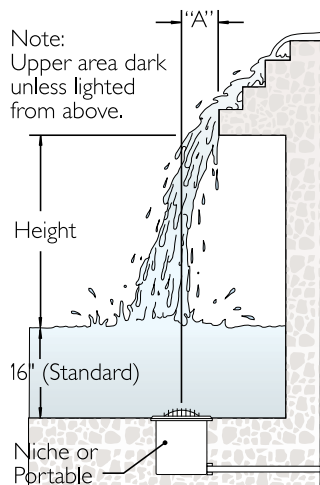
## MA1

Re-enterable encapsulant for inground installations. Two-part field mixable material in one convenient package. Boxed six (6) per carton.

# UNDERWATER APPLICATIONS

## WATERFALLS AND FOUNTAINS – LINE VOLTAGE

### Aerated Waterfalls

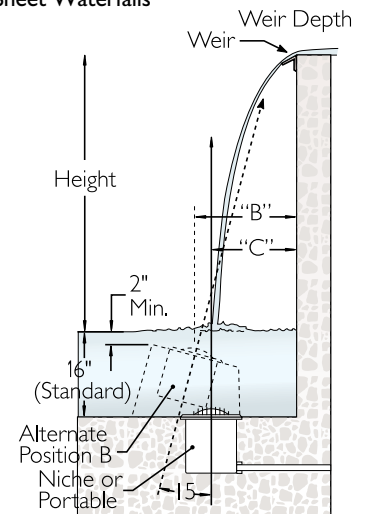


### AERATED AND SHEET WATERFALLS

Waterfall Height	A	B	C	Light Spacing	Wattage Required
1'	2"	NR	6"	2'	250
2'	4"	NR	8"	2'	250
3'	6"	16"	12"	3'	250
4'	8"	18"	16"	3'	250
5'	10"	20"	18"	4'	250

NR=Not Recommended.

### Sheet Waterfalls

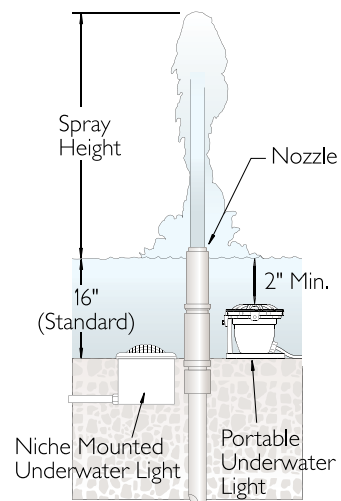


### FOUNTAINS

Spray Height	Quantity of Lights	Wattage (Portable)	Wattage (Niche)
0-3'	1	250	250
3-10'	2	250	NR
10-20'	3	250	NR

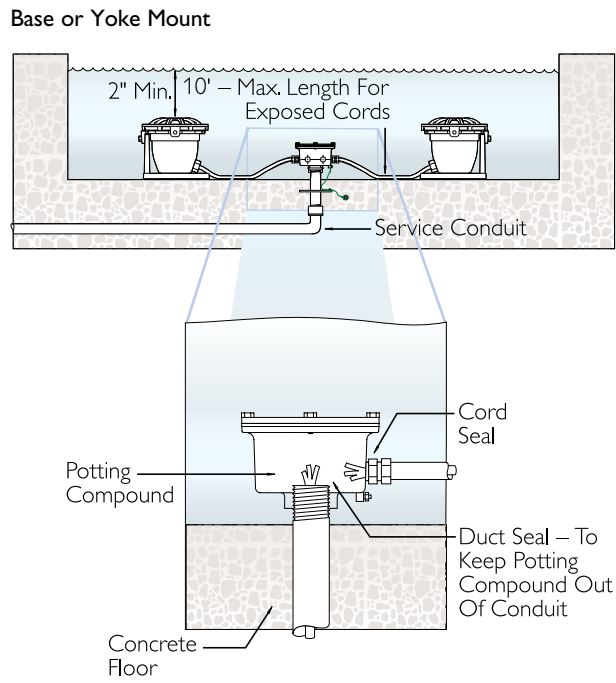
NR=Not Recommended.

### Fountains

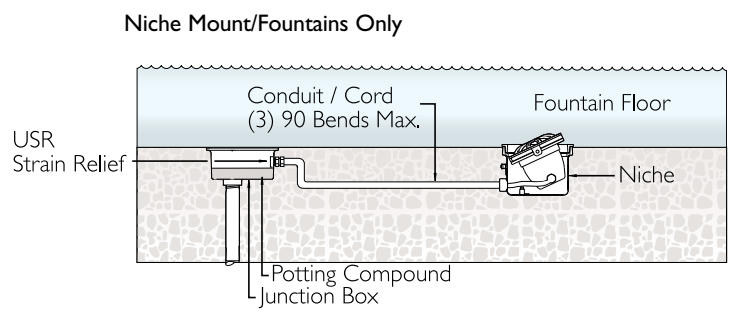


# UNDERWATER APPLICATIONS

## JUNCTION BOX AND FIXTURE INSTALLATION – LINE VOLTAGE



Detail: Base or Yoke Mount Fixtures



### JUNCTION BOX SELECTION GUIDE

All conductors are to be considered in calculations.

Conductor Size A.W.G.	Req. Space in Box For Each Conductor
18	1.5 CU.IN.
16	1.75 CU.IN.
14	2.0 CU.IN.
12	2.25 CU.IN.
10	2.5 CU.IN.
8	3.0 CU.IN.
6	5.0 CU.IN.

# Line Voltage Accessories and Photometrics

Just as important as our vast selection of fixtures, Philips Hadco accessories give you all the options you need to finish the job with safety and confidence.

Browse our array of stakes, junction boxes and other mounting accessories. You'll find the right accessories to implement almost any installation you can imagine.





# MOUNTING AND CONNECTION



## S3 MOUNTING STAKE

Suitable for wet locations. Heavy wall, impact-resistant PVC. Threaded 1/2" NPT [13mm] hub with ground wire. Slanted bottom accepts conduits of different depths. PVC stabilizers included (no concrete needed). 3" O.D. [76mm] x 19" [483mm].\* Accepts "Y" or "T" fitters (by others). Available in white, black, bronze, natural brass or verde. May be painted additional colors with water base paint. Use with ETL listed wet location fixture. ETL and cETL Listed.

\*S35B 3-1/2" O.D. [89mm] x 19" [483mm]



## M0028A

Portable line voltage stake. Cast aluminum with 8' [2440mm] 3-wire power cord and plug. 8" [203mm] long with 1/2" NPS [13mm] conduit inlet. Black powdercoat finish.



## BI1

Hot dipped galvanized cast iron junction box. 4" [102mm] square x 3" high [76mm] with 1/2" NPS [13mm] top inlet. Two (2) 1/2" NPT [13mm] bottom inlets. Used with aluminum or composite fixtures.



## BI2

Hot dipped galvanized cast iron junction box. 4" [102mm] square x 3" high [76mm] with 1/2" NPS [13mm] top inlet. Two (2) 3/4" NPT [19mm] bottom inlets. Used with aluminum or composite fixtures.



## BI3

Hot dipped galvanized cast iron junction box. 4" [102mm] square x 3" high [76mm] with 1/2" NPS [13mm] top inlet. Four (4) 1/2" NPT [13mm] side inlets and two (2) 1/2" NPT [13mm] bottom inlets. Used with aluminum or composite fixtures.



## BI4

Hot dipped galvanized cast iron junction box. 4" [102mm] square x 3" high [76mm] with 1/2" NPS [13mm] top inlet. Two (2) 1/2" NPT [13mm] side inlets and two (2) 1/2" NPS [13mm] bottom inlets. Used with aluminum or composite fixtures.



## M0029

Cast aluminum junction box. 4" [102mm] x 2-1/4" [57mm] with 1/2" NPT [13mm] top inlet and four (4) 1/2" NPT [13mm] side inlets.



## MA22

Silicone-filled wire connectors. Necessary to protect splicings from moisture and oxidation. Handles up to 10 gauge wire. Boxed twenty-five (25) per carton.

# MOUNTING AND CONNECTION



## TM2

TM2-A Black

TM2-G Verde

TM2-H Dark Bronze

Line voltage tree mount cast aluminum junction box. Combination lag screws with hex nuts included.



## TMC2H

Composite line voltage tree mount junction box. Combination lag screws with hex nuts included. May be used with tree strap (TMS10).



## MF1

Pack of twelve (12) combination galvanized lag screws with hex nuts for attaching canopies and ballast boxes in trees.



## TMS10

Black nylon tree strap, a non-intrusive way of mounting line or low voltage bullyte fixture to a tree.

- 500 lbs strength test
- Use with: TMC2H
- 10 feet, field-cut to length
- Nylon strap with high strength, durable ABS adjustable fastener



## MA1

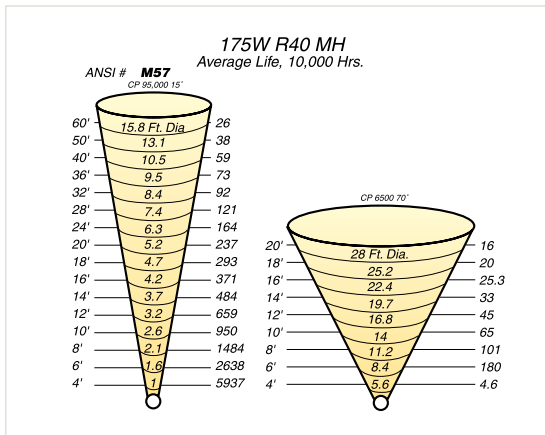
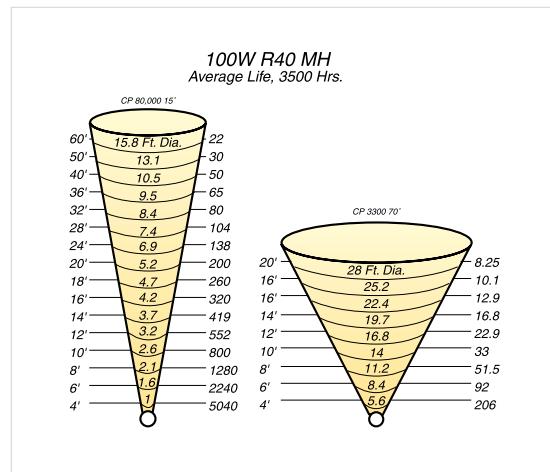
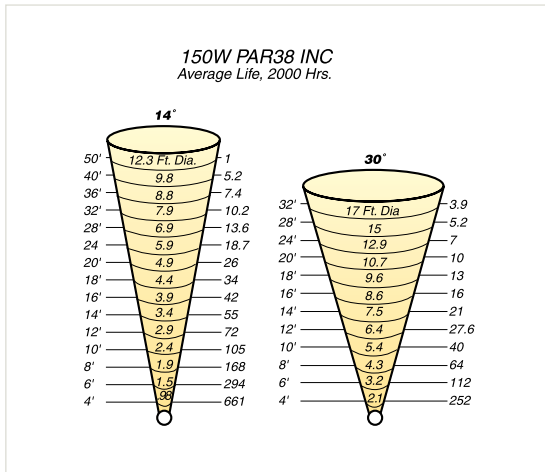
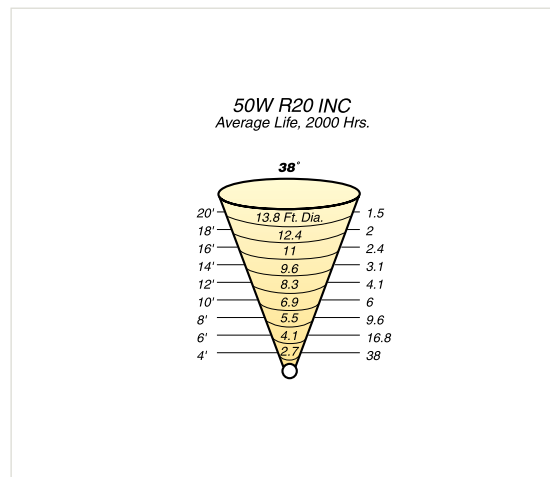
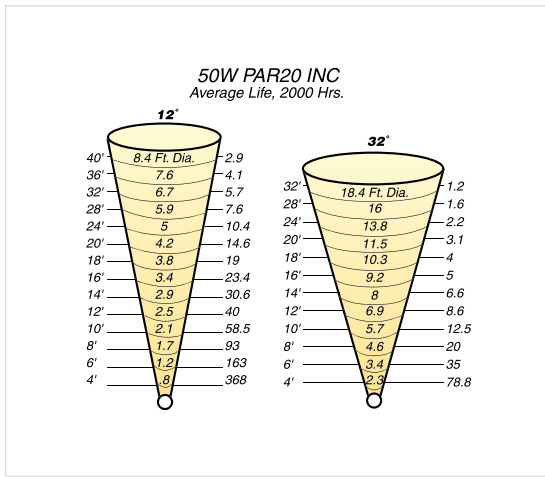
Re-enterable encapsulant for inground installations. Two-part field mixable material in one convenient package.



## MA4

Corrosion preventive compound. Two-ounce tube. Specially formulated non-conductive sealant and corrosion preventative. For use on sockets and electrical contacts.

# PHOTOMETRIC DATA



# PHOTO CREDITS

PHILIPS HADCO WOULD LIKE TO THANK THE FOLLOWING PEOPLE AND ORGANIZATIONS WHO CONTRIBUTED TO THE PHOTOGRAPHY FEATURED IN THIS CATALOG.

Gene Coghlan, Chalfont, PA  
Dave DePorter - DePorter, Dominick & Associates LLC , Manassas, VA  
Rob Ellis - Architectural Landscape Lighting & Design, Miamitown, OH  
Fred Massey - Philips Lightolier, Winter Park, FL  
Dave Murphy and Associates, Dumont, NJ  
Lightscape, Libertyville, IL  
Nelson King and Associates, Lincolnshire, IL  
King Lighting, Cincinnati, OH  
Signature Lighting, Novi, MI  
Terra Forma, Richmond, VA  
Brett Drury Architectural Photography, Inc., Escondido, CA

Philips Hadco is always looking for quality residential and commercial landscape application photography that features Philips Hadco products. To find out more information on submitting photography of your work, please contact your Philips Hadco representative.

# INDEX

## PRODUCTS

1010.....	207
1012.....	207
1019.....	207
1020.....	123
A42.....	186
A43.....	187
AAL1.....	38
AL4.....	83
AL4D3.....	25
AL41.....	83
AL42.....	92
AL43.....	92
AUL1.....	39
AV3.....	186
AVL3.....	91
AV53.....	186
AVSL3.....	91
B1.....	121
B3.....	122
B4.....	120, 124-128
BL1.....	34, 35
BL16.....	31
BL36.....	33
BL5016.....	31
BL616.....	30
BL711.....	29
BL7D1.....	20
BL756.....	30
BLN5D4.....	21
BPL36.....	34
BT1.....	120
BT5016.....	119
BT711.....	119
BU1.....	122
BU3.....	122
BU4.....	124-128
BUL1.....	31
BUL16.....	31
CB100.....	65, 167
CL2D.....	24
CL81.....	197
CL82.....	197
CL83.....	197
CLB81.....	209
CLB82.....	209
CLB83.....	209
CPL12.....	85
CPL21.....	85
CUL2.....	73
CUL3.....	73
CUL4.....	73
CUL6.....	74
CUL7.....	74
CUL9.....	74
CUL10.....	75
CUL16.....	32
CUL20.....	53
DAL1.....	54
DB14.....	199
DB21.....	199
DB30.....	199
DCL1.....	54
DHL1.....	56
DK5.....	188
DKL5.....	93
DL1.....	40
DL4.....	59
DL5.....	59
DRL1.....	41
DRL2.....	41
DSL1.....	55
DSL2.....	41
DUL1.....	54
DW1.....	205
DWC1.....	205
DWC2.....	206
DWCL1.....	102
DWCL2.....	102
DWL1.....	102
EL1.....	29
EL2.....	80
EWB4.....	171
EWR4.....	173
FUL1.....	88
GABL16.....	33
GACL1.....	58
GACL2.....	58
GADL1.....	53
GADL2.....	53
GADL4.....	59
GADL51.....	60
GADL52.....	60
GADL61.....	60
GADL62.....	60
GADL7.....	57
GADL8.....	57
GADL9.....	57
GAGL1.....	79
GAHL1.....	40
GAL3.....	75
GAML1.....	76
GAML2.....	76
GAML3.....	76
GAML4.....	77
GAML5.....	77
GASL1.....	77
GASL4.....	78
GASL5.....	78
GASL6.....	79
GASL7.....	78
GATL1.....	79
GAWL1.....	39
HB1.....	195
HBB1.....	193
HBBL1.....	101
HBC1.....	191
HBCL1.....	98
HBL1.....	101
I2.....	149
i2.5.....	23, 151
I3.....	153
I4.....	155
I5.....	157
IL116.....	45
IL136.....	45
IL336.....	47
ILN5D4.....	23
ILW5D4.....	23
IUL516.....	47
IWB3.....	194
IWBB3.....	192
IWBBL3.....	99
IWBC4.....	196
IWBCL4.....	100
IWBL3.....	99
IWP3.....	191
IWP4.....	192
IWPC4.....	192
IWPCL4.....	99
IWPL3.....	98
IWPL4.....	98
KC2.....	185
KC3.....	185
KCL1.....	90
KCL2.....	90
KCL3.....	91
LLL.....	42, 62
ML4D3.....	24
MLL2.....	83
MML2.....	82
MSL12.....	84
MSL18.....	85
MU3.....	183
MU5.....	183
MUL4.....	81
MUL5.....	82
OP1.....	187
OPL1.....	93
OPS1.....	187
OPSL1.....	93
P3.....	189
P39.....	189
PL3.....	97
PL39.....	97
Q39.....	190
QF59.....	190
R3.....	189
R30.....	191
R39.....	190
RB30.....	201
RB71.....	203
RB711.....	211
RFL1.....	61
RL116.....	38
RL13.....	58
RL3.....	96
RL4.....	96
RL72.....	203
RL721.....	211
RL1.....	61
RL2.....	61
RR70.....	203

RR701 .....	211	UWL1100.....	106
RRB1 .....	175	UWL2075.....	106
RRB3 .....	177	UWL2100.....	106
RRBL1 .....	63	UWUL516 .....	105
RRC1 .....	175	WA1 .....	135
RRC3 .....	177	WA2 .....	136, 137
RRCBL1 .....	62	WAF1 .....	135
RRCL1 .....	63	WAF13 .....	135
RRF1.....	175	WAM1.....	134
RRFL1.....	63	WAML14 .....	37
RSB2.....	26, 163	WAMT14 .....	133
RSB3.....	169	WA/WB3-HF.....	139
RSBL2.....	65	WA/WB3-HS.....	141
RSC2 .....	26, 165	WA/WB3-VF .....	143
RSC3 .....	169	WBM1.....	134
RSCL2 .....	67	WBML14.....	37
RSF2.....	26, 163	WBMT14.....	133
RSFL2.....	65		
RSS2.....	26, 163		
RSV2 .....	26, 165		
RSVL2 .....	67		
SB1 .....	194		
SBB1.....	193		
SBBL1.....	100		
SBL1.....	100		
SK2.....	185		
SKL1.....	89		
SKL2.....	90		
SML2 .....	80		
SML3 .....	80		
SML4 .....	86		
SML5 .....	87		
SPL1.....	86		
SPL18.....	86		
SPL5.....	80		
SRL3.....	55		
SRL4.....	55		
T39.....	184		
TKL1.....	89		
TL19.....	88		
TL39.....	89		
TR5.....	184		
TRL4 .....	84		
TRL4D3.....	25		
TRL5 .....	84		
TU3 .....	184		
TUL1 .....	87		
TUL3 .....	87, 88		
VP2 .....	188		
VPL1.....	94		
VPL2.....	94		
VPS2.....	188		
VPSL1.....	95		
VPSL2.....	95		
ULW5D4 .....	23		
UW1100.....	215		
UW1250.....	215		
UW2100.....	215		
UW2250.....	215		
UWL1 .....	105		
UWL1075.....	106		

# INDEX

## ACCESSORIES

A18	113
ABH	129
BI1	221
BI2	221
BI3	221
BI4	221
CCH50	107, 216
CCH50F	107, 216
CP2	149
CP3	153
CP4	155
CP5	47
CPS2	149
CPS25	151
CPS3	153
CPS4	155
I25CRGN	151
I25CRSS	151
I25FRL	151
I25HDN	151
I25HDSS	151
I25SRL	151
I3ICL	153
I4ICL	155
I4IDL	155
I4SRL	155
I5CMF	157
I5CRG	157
I5DL	157
I5DS	157
I5DSG	157
I5HCL	157
I5IGL	157
I5SRG	157
IAS16	31, 32, 34, 35, 36, 119, 120
IBH	129
IBL1	149
IBL16	31, 32, 34, 35, 36, 141
IBLR	151
ICG16	31, 32, 34, 35, 36, 120
ICG20	149, 151, 153
ICG30	149, 151, 153
ICG36	149, 153
ICG38	153, 155
ICGFL	155
ICGR	151
ICGSP	155
ICLR	151
IDLR	151
IG30H	47
IG3H	47
IL3H	47
ILSLR	151
IMSLR	151
IS1H	149
IS3H	153
IS4H	155
ISL16	31, 32, 34, 35, 36, 119, 120
ISL4	155
ISSR	151
JBH1	107, 216
JBH2	107, 216
LEDADP	151
LSB1	100
LVC3	113
LVC4	113
M0028A	221
M0029	221
M0040	114
M0041	114
MA1	222
MA2	114
MA22	113, 221
MA4	114, 222
MAKES	26, 63, 65, 61, 67, 163, 165, 167, 170, 171, 173, 175, 178
MAKM	26, 63, 65, 61, 67, 163, 165, 167, 170, 171, 173, 175, 178
MAKNS	26, 63, 65, 61, 67, 163, 165, 167, 170, 171, 173, 175, 178
MC1	114
MC1N	114
MF1	114, 222
MGM1	30, 32
ML1	121, 122
ML3	122, 123
ML4	124, 125, 126, 127, 128
ML7	29, 30
MLB1	30, 32
MLS1	30, 32
MLS2	30, 32
MW11	37
MW12	133, 134
MW31	145
MW32	145
MW33	145
MW34	145
PC1	112
PC15	112
PC3	112
PT21	146
PT22	146
PT23	146
S1	113
S12	88, 89, 92, 97, 184, 185, 186, 187, 188, 189, 190, 191, 192
S24	88, 89, 92, 97, 184, 185, 186, 187, 188, 189, 190, 191, 192
S3	221
S36	88, 89, 92, 97, 184, 185, 186, 187, 188, 189, 190, 191, 192
S6	113
S7	113
S7N	113
S8	113
S8N	113
SCW100-12	114
SCW500-10	114
SCW500-12	114
SJBH10	107, 216
SS18	146
T5	112
T6	112
TB100-12	112
TBC303-15	112
TBC603-15	112
TC151-12	112
TC151-12TP	112
TC344-15	112
TC644-15	112
TC944-15	112
TCS301	112
TCS601	112
TCS901	112
TM1H	114
TM2	222
TM3	145
TMC2H	222
TMS10	114, 222
TS375-12	113
TSS1283-22	112
TSS1583-22	112
TSS344-15	112
TSS383-22	112
TSS644-15	112
TSS683-22	112
TSS944-15	112
TSS983-22	112
UWAMB	106, 215
UWBLU	106, 215
UWGRN	106, 215
UWRED	106, 215
WB	130







ISO 9001  
REGISTERED

© 2011 Philips Group

All rights reserved. Certain products illustrated in this catalog may be protected by applicable patents and patent pending. Philips Hadco will aggressively defend all of its intellectual property. We reserve the right to change details of design, materials and finishes in any way that will not alter installed appearance or reduce function and performance.

---

Philips Hadco  
100 Craftway Drive  
P.O. Box 128  
Littlestown, PA 17340  
Phone: 866-423-2658  
Fax: 717-359-0618

[www.hadco.com](http://www.hadco.com)

PH-1053-1101-PDF

Printed in U.S.A.

**PHILIPS**  
**HADCO**