



DISPLAY & PICTURE LIGHTS

CORD & PLUG 950CP

Project: _____

Fixture Type: _____

Location: _____

Contact/Phone: _____



PRODUCT DESCRIPTION

Includes 60W plug in transformer with in-line switch.
All models use black cords and transformers. 12V 50W max.
MR16 lamp (not included).

ORDERING INFORMATION

Model	Hardware Finish	Example
950CP	STN	950CP-STN
	BLK Black	
	CHR Chrome	
	STN Satin Nickel	

PRODUCT SPECIFICATIONS

Electrical

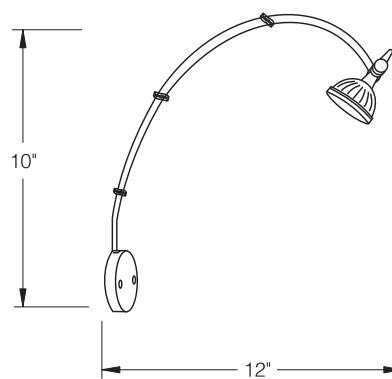
Lamp: 12V 50W max. MR16 Lamp (not included)

Socket: Ceramic Bi-Pin Socket, accepts G4 to GY6.35 Lamps

Agency Approval

Labels: ETL listed to UL 1598 for use in U.S. • ETL listed to CSA C22.2 No. 250 for use in Canada.

DIMENSIONS



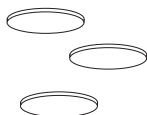
ACCESSORIES

Colored Lenses



Cat No.	Description
L112	Red
L132	Blue
L133	Green

Optical Lenses



Cat No.	Description
L110	Prismatic
L111	Frost
L113	Soft Focus
L114	UV Filter
L115	Linear Spread

Dichroic Lenses



Cat No.	Description
L120	Red
L122	Yellow
L123	Green
L124	Daylight
L125	Blue
L127	Cosmetic

Two-Device Holder

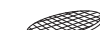


900
Mounts on MR16 lamp and accepts all 2" ALFA Optical and Colored Lens. Also accepts #990-00 Louver, #980, #992S and #992QJ Shades. Finish Order No: 900-ALU, 900-BLK, 900-STN

Louvers



990-00
Egg-crate Louver for use with #900 and 9000 Holders. Finish Order No: 990-00-ALU, 990-00-BLK



990
Egg-crate Louver with holder. Snaps on front of MR16 lamps. Finish Order No: 990-BLK-BLK, 990-CHR-CHR, 990-CHR-BLK

Colored Rings



991
High Temperature Rubber Rings. Snaps on front of MR16 lamps. Finish Order No: 991-BLK, 991-WHT, 991-BLU, 991-RED, 991-YLW

Shades



992
Mesh Shade to be used directly with MR16 lamp. Rests on lamp. Finish Order No: 992-WHT



992QJ
Small Perforated Metal Shade can be used with or without #900 Holder and MR16 lamp. Works with most MR16 lamps. Finish Order No: 992QJ-BLK, 992QJ-WHT, 992QJ-BLU, 992QJ-GRN, 992QJ-YLW, 992QJ-RED, 992QJ-CHR



992M
Small Mesh Shade to be used with or without #900 Holder and MR16 lamp. Works with most MR16 lamps. Rests on lamp rim. Finish Order No: 992M-CHR



992S
Solid Shade to be used with or without #900 Holder and MR16 lamp. Works with most MR16 lamps. Finish Order No: 992S-BLK, 992S-WHT, 992S-CHR, 992S-STN



980
Large Mesh Shade Shade. Use with #900 Two-Device Holder. Works with all MR16 lamps. Finish Order No: 980-BLK, 980-CHR