



ART GLASS PENDANTS

PYRAMID

P14

Project: _____

Fixture Type: _____

Location: _____

Contact/Phone: _____

PRODUCT DESCRIPTION

The P14 shade features a stacked internal design with a polished pyramid exterior in a variety of dramatic colors. 12V 50W max. JC Lamp included.

Pendant Kit includes: Quick Jack Cord Set - 78" Coaxial Cable
 • Cordset can be shortened in the field • Glass Shade & Lamp Cover • 12V 50W JC Halogen Lamp



ORDERING INFORMATION

Model	Mounting Adapter	Hardware Finish	Shade Finish	Example
P14	QJ	STN	BLU	P14QJ-STN-BLU
	QJ Pendant with Quick Jack Adapter*	BRZ Vintage Bronze	AMB Amber	
	MP Pendant on Single Dome MonoPoint	CHR Chrome	BLU Blue	
	MC Pendant on Single Cone MonoPoint	STN Satin Nickel	FRT Frost	
	MB3 3X Pendants on Arched Bar			
	MP3 3X Pendants on Large Dome			

*For use on Alfa Quick Jack Systems

PRODUCT SPECIFICATIONS

Electrical

Lamp: 12V 50W max. JC Lamp included, GY6.35

Socket: Ceramic Bi-Pin Socket, accepts G4 and GY6.35 Lamps

Agency Approval

Labels: ETL classified to UL 1598 for use in U.S. • ETL classified to CSA C22.2 No. 250 for use in Canada.

Mounting Specifications

QJ: Supplied with Quick Jack Adapter for use on MonoTrack.

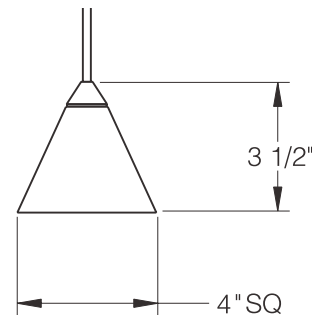
MP: Supplied on a Non-Quick Jack (905 type) Slim Line MonoPoint. Internal 60W Electronic Transformer. Dimmable*.

MC: Supplied on a Non-Quick Jack (908 type) Cone MonoPoint. Internal 60W Magnetic Transformer. Dimmable*.

MB3: 3X Pendants supplied on a Non-Quick Jack (99003 type) Triple Arched Bar MonoPoint. Internal 150W Electronic Transformer. Dimmable*.

MP3: 3X Pendants supplied on a Non-Quick Jack (99014 type) Triple Large Dome MonoPoint. Internal 200W Magnetic Transformer. Dimmable*.

DIMENSIONS



*Alfa recommends the use of Solid State (Electronic) Dimmers with Alfa products with Electronic Transformers. Magnetic Transformers may be dimmed with a quality Incandescent Dimmer.

