



CERAMIC PENDANTS

P58 - MARLEY

120V, GU24 SELF BALLASTED CFL

Project: _____

Fixture Type: _____

Location: _____

Contact/Phone: _____

PRODUCT DESCRIPTION

GU24 Self Ballasted CFL MonoLine or Trac-Master Pendant includes:
 • Specified adapter for MonoLine or Trac-Master • MonoLine adapter in finish matching pendant hardware • Shade • 72" braided coaxial cable cordset • Cordset length can be field shortened • GU24 Self Ballasted CFL lamp in specified wattage, 2700K included
 •Energy Star qualified



ORDERING INFORMATION

Model	Mounting Adapter	Lamp	Hardware Finish	Shade Finish	Example
P58	ML	S3	STN	WHC	P58MLS3-STN-WHC
	MP Monopoint	S3 13W GU24 CFL	BRZ Vintage Bronze	BLC Black Ceramic	
	ML MonoLine Adapter	S8 18W GU24 CFL	STN Satin Nickel	WHC White Ceramic	
	TB Trac-Master Adapter (Black)	S6 26W GU24 CFL			
	TS Trac-Master Adapter (Silver)				
	TW Trac-Master Adapter (White)				
	MP3 3X Pendants on Large Disc				
	MY3 3X Pendants on Large Disc Triple Side Port MonoPoint				

PRODUCT SPECIFICATIONS

Electrical

Input Voltage: 120V.

Lamp: 120V, 24W max. GU24 CFL.

Socket: GU24 twist and lock.

Agency Approval

Labels: ETL Listed to UL 1598 for use in U.S. • ETL Listed to CSA C22.2 No. 250 for use in Canada.

Mounting Specifications

MP: Supplied with 4-1/2" diameter flat MonoPoint canopy. Internal strain relief allows height adjustment of cord without cutting.

ML: Supplied with MonoLine Pendant Adapter for use on a MonoLine Track System

TB: Supplied with a black (finish) Trac-Master Pendant Adapter for use on a black Trac-Master or Trac-Lites system

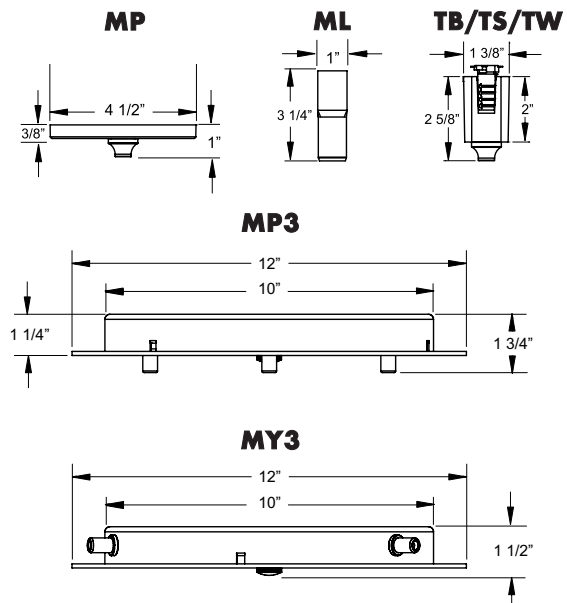
TS: Supplied with a silver (finish) Trac-Master Pendant Adapter for use on a silver Trac-Master or Trac-Lites system

TW: Supplied with a white (finish) Trac-Master Pendant Adapter for use on a white Trac-Master or Trac-Lites system

MP3: 3X Pendants supplied on a 12" diameter Triple Large Disc MonoPoint.

MY3: 3X Pendants supplied on a 12" diameter Triple Large Disc Side Port MonoPoint. Includes 3 pendant swag adapters.

ADAPTER DIMENSIONS



Mark means lamp contains mercury.
 Follow disposal laws.
 See www.lamprecycle.org