

Alfa

ART GLASS PENDANTS

BUBBLES

P67

Project: _____

Fixture Type: _____

Location: _____

Contact/Phone: _____

PRODUCT DESCRIPTION

The P67 wide cone shade provides a clean design for a minimalist look. The bubbles in the glass finish illuminate when the pendant is lit. 12V 50W max. JC Lamp included.

Pendant Kit includes: Quick Jack Cord Set - 78" Coaxial Cable
 • Cordset can be shortened in the field • Glass Shade & Lamp Cover • 12V 50W JC Halogen Lamp



ORDERING INFORMATION

Model	Mounting Adapter	Hardware Finish	Shade Finish	Example
P67	QJ	STN	FRT	P67QJ-STN-FRT
	QJ	BRZ	FRT	
	MP	CHR	FRT	
	MC	STN		
	MB3			
	MP3			

*For use on Alfa Quick Jack Systems

PRODUCT SPECIFICATIONS

Electrical

Lamp: 12V 50W max. JC Lamp included, GY6.35

Socket: Ceramic Bi-Pin Socket, accepts G4 and GY6.35 Lamps

Agency Approval

Labels: ETL classified to UL 1598 for use in U.S. • ETL classified to CSA C22.2 No. 250 for use in Canada.

Mounting Specifications

QJ: Supplied with Quick Jack Adapter for use on MonoTrack.

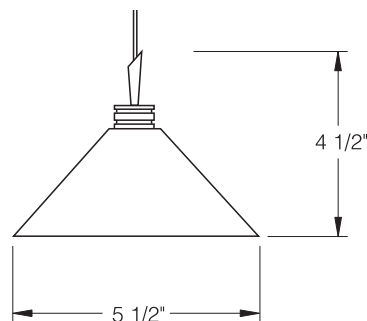
MP: Supplied on a Non-Quick Jack (905 type) Slim Line MonoPoint. Internal 60W Electronic Transformer. Dimmable*.

MC: Supplied on a Non-Quick Jack (908 type) Cone MonoPoint. Internal 60W Magnetic Transformer. Dimmable*.

MB3: 3X Pendants supplied on a Non-Quick Jack (99003 type) Triple Arched Bar MonoPoint. Internal 150W Electronic Transformer. Dimmable*.

MP3: 3X Pendants supplied on a Non-Quick Jack (99014 type) Triple Large Dome MonoPoint. Internal 200W Magnetic Transformer. Dimmable*.

DIMENSIONS



*Alfa recommends the use of Solid State (Electronic) Dimmers with Alfa products with Electronic Transformers. Magnetic Transformers may be dimmed with a quality Incandescent Dimmer.