



SIGN LIGHTER

Dual 12V MR16 Straight Arm INDOOR/OUTDOOR S314M

Project: _____

Fixture Type: _____

Location: _____

Contact/Phone: _____

PRODUCT DESCRIPTION

Versatile low voltage sign lighter that is adjustable to fit most sign lighting applications. Each complete Sign Lighter Kit includes: 18" fixture, 12" extension, 6" extension, transformer, mounting hardware and instructions.

Sealed assembly for indoor or outdoor use • Easy to assemble, modular extensions • Dimmable • Max 75W, MR16 lamp (not included) • Each head will accept one lens accessory • Two 75W electronic transformer with thermal and short circuit protection • Available in white, black or bronze powder painted finishes.
Canopy Diameter: 6-1/2"



PRODUCT SPECIFICATIONS

LOW VOLTAGE MR16 SIGNLIGHTER

Electrical

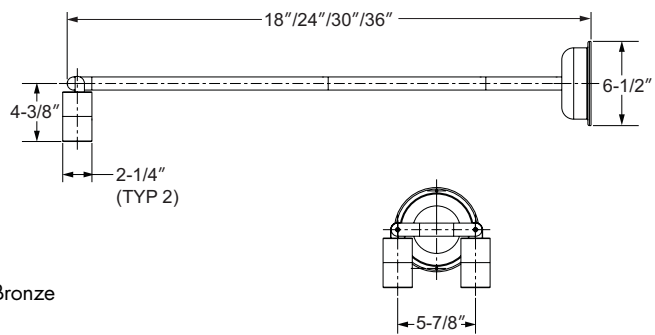
Lamp: 12V, MR16 Lamp (not included)
Lamp Holder: 2-Pin GU5.3 Base, 12V Halogen lamp socket
Transformer: (2) 75W, 120V 60Hz

Mechanical

All Aluminum Construction

Tubular Construction: 1" Diameter inter-connected tubes, Kit includes lengths of 18"/24"/30"/36"
Lamp Housing and Tube Support: Available in White/Black/Bronze powder coated finish
Adjustability: 360° vertical aiming, 180° horizontal aiming and 360° horizontal rotation
Weather Resistant: "O"-Ring weather resistant seals
Mounting: Wall mounting on surface or over J-box
Agency Approval
 ETL Listed for wet applications

DIMENSIONS



DUAL LOW VOLTAGE MR16—ORDERING INFORMATION

Catalog Number	Description	Finish	Lamp
S314M-BZP	Dual 12V MR16 Straight Arm	Bronze	(2) Max 75W, MR16
S314M-BLK	Dual 12V MR16 Straight Arm	Black	(2) Max 75W, MR16
S314M-WHT	Dual 12V MR16 Straight Arm	White	(2) Max 75W, MR16

ACCESSORIES

Optical Lenses

Catalog Number	Description	Catalog Number	Description
L110	Prismatic Optical Lens	L111	Frosted Optical Lens
L113	Soft Focus Optical Lens	L114	UV Filter Optical Lens
L115	Linear Spread Optical Lens		

Accessories are ordered separately. To order, specify catalog number. Colored and dichroic lenses are available, see Alfa catalog for details.

