



DIRECTIONALS

MERCURY

SP728M

Project: _____

Fixture Type: _____

Location: _____

Contact/Phone: _____



PRODUCT DESCRIPTION

Featuring the Small Dome G28M polished glass or metal shade, this fully adjustable Quick Jack fixture comes complete with a built-in two-device holder. And, the insulated handle makes redirecting the fixture easy. 12V 50W max. Lamp: JC, MR8, MR11, or MR16 (not included).

ORDERING INFORMATION

Model	Shade	Hardware Finish	Shade Finish	Example
SP7	28M	STN	AMB	SP728M-STN-AMB
		BRZ Vintage Bronze	AMB Amber	
		CHR Chrome	BLU Blue	
		STN Satin Nickel	BRZ Bronze	
			CHR Chrome	
			FRT Frost	
			RED Red	
			STN Satin Nickel	

PRODUCT SPECIFICATIONS

Electrical

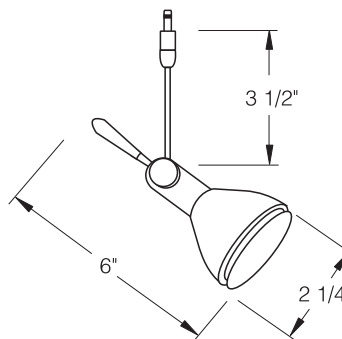
Lamp: 12V 50W max. Lamp: JC, MR8, MR11, or MR16 (not included)

Socket: Ceramic Bi-Pin Socket, accepts G4 to GY6.35 Lamps

Agency Approval

Labels: ETL listed to UL 1598 for use in U.S. • ETL listed to CSA C22.2 No. 250 for use in Canada.

DIMENSIONS



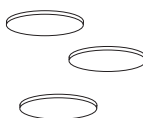
ACCESSORIES

Colored Lenses



Cat No.	Description
L112	Red
L132	Blue
L133	Green

Optical Lenses



Cat No.	Description
L110	Prismatic
L111	Frost
L113	Soft Focus
L114	UV Filter
L115	Linear Spread

Dichroic Lenses



Cat No.	Description
L120	Red
L122	Yellow
L123	Green
L124	Daylight
L125	Blue
L127	Cosmetic

Louvers



990-00
Egg-crate Louver for use with #900 and 9000 Holders. Finish Order No: 990-00-ALU, 990-00-BLK



990
Egg-crate Louver with holder. Snaps on front of MR16 lamps. Finish Order No: 990-BLK/BLK, 990-CHR/CHR, 990-CHR/BLK