

**CRANE**

**2108**

**Task Floor Lamp**

**1-35W Max.**

**Bulb Type: GY 6.35 Bi-Pin 12V Halogen**

**Switch: Hi-Lo Dimming**

**Dark Natural Brass over Metal**

**Metal Shade**

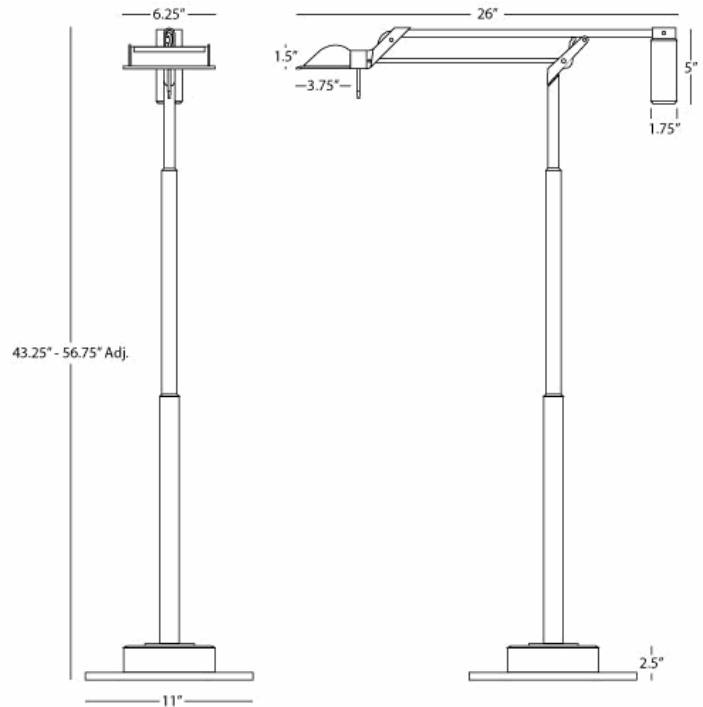
**Frosted Tempered Glass Top Diffuser**

**Clear Tempered Glass Bottom Diffuser**



**FINISH OPTIONS:**

**S2108 - Polished Nickel**



**\*\* Available for Quick SHIP \*\***