

Bouquet with Moon

wc_bouquet_moon_spec.pdf



MOONSTRUCK

Shown approximately 20% actual size.



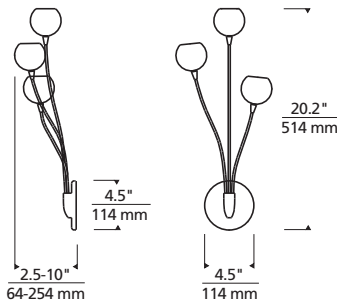
BLUE MOON



MOON



OWL MOON



DESCRIPTION

Frost white moon glass or patterned glass on field bendable stems. Die cast base. Provides ambient and up-light. Includes transformer to convert standard 120 volt line voltage to 12 volts. ADA compliant.

INSTALLATION

This product can mount to either a 4" square electrical box with round plaster ring or an octagonal electrical box (not included). Transformer fits in electrical box. May also be mounted as a down-light. For wall mount use only.

DIMMING

Dimmable with a standard incandescent dimmer (not included).

COLOR

Blue Moon: blue/green Murano glass

Moon: frost glass

Moonstruck: clear/frost Murano glass

Owl Moon: amber/frost Murano glass

FINISH

Chrome, satin nickel.

LAMP

Three low-voltage, 12 volt Xenon bi-pin lamps up to 20 watts each (included).

WEIGHT

5.15 lb./2.33 kg. ±

ORDERING INFORMATION

700WSBQ	COLOR	FINISH
	BMN BLUE MOON	C CHROME
	MNW MOON	S SATIN NICKEL
	MNS MOONSTRUCK	
	OMN OWL MOON	



7400 Linder Avenue T 847.410.4400
Skokie, Illinois 60077 F 847.410.4500

www.techlighting.com

700WSBQ _____

FIXTURE TYPE: _____

JOB NAME: _____

